

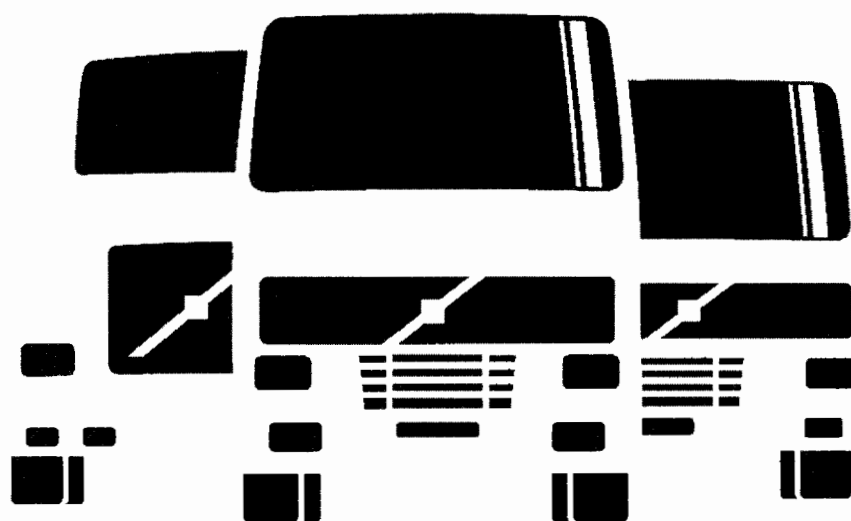
Service Manual Trucks

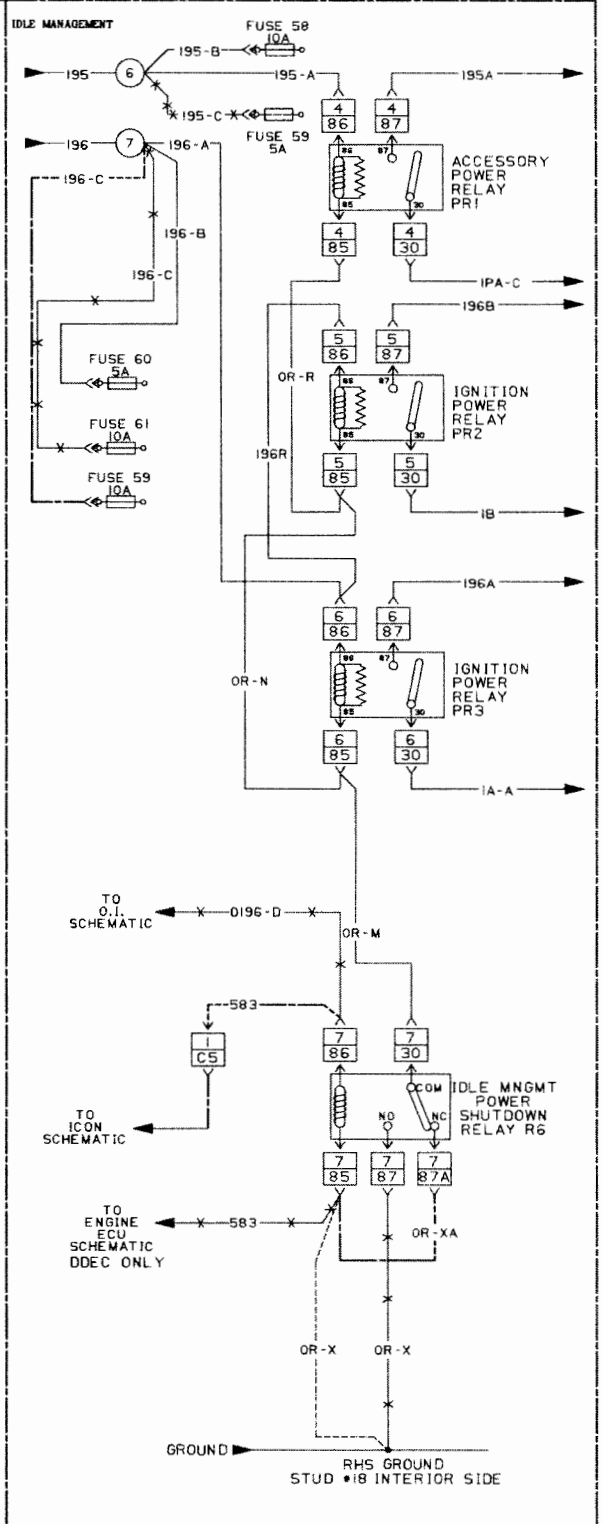
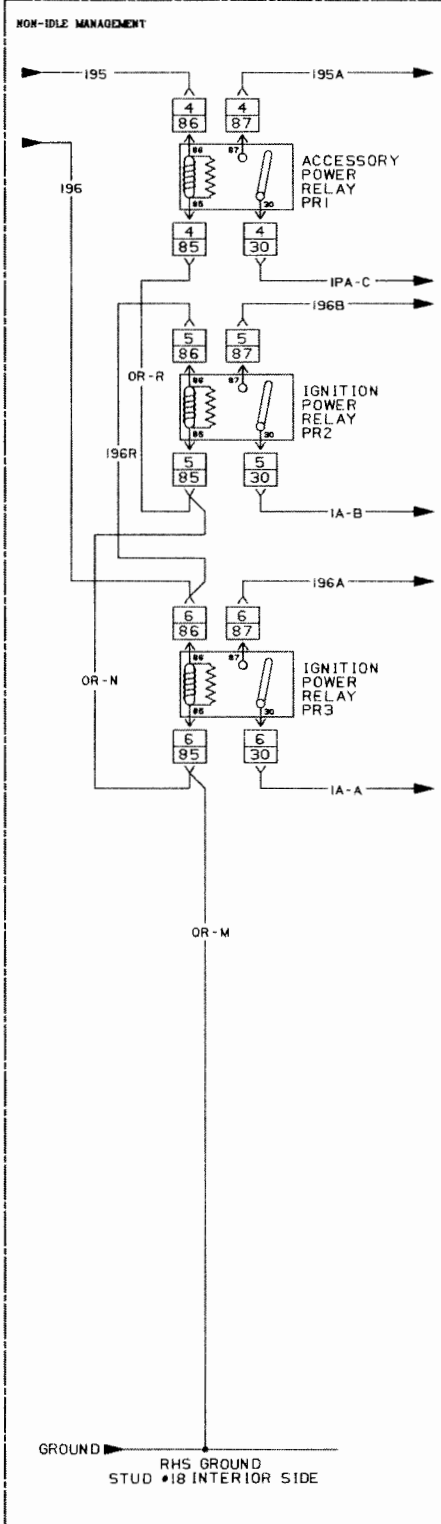
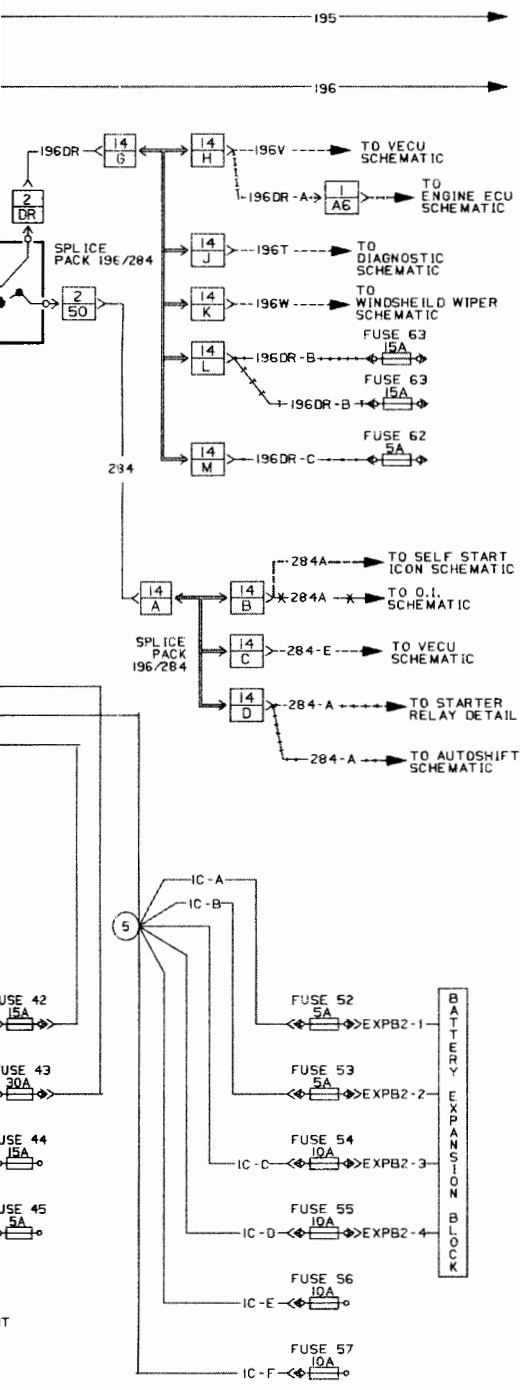
Group **37**

Electrical Schematic:
Starting and Charging

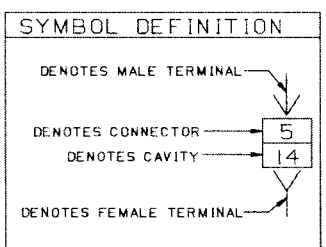
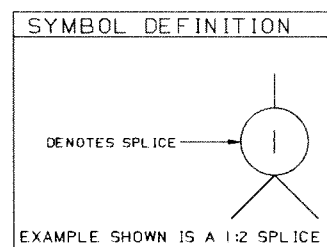
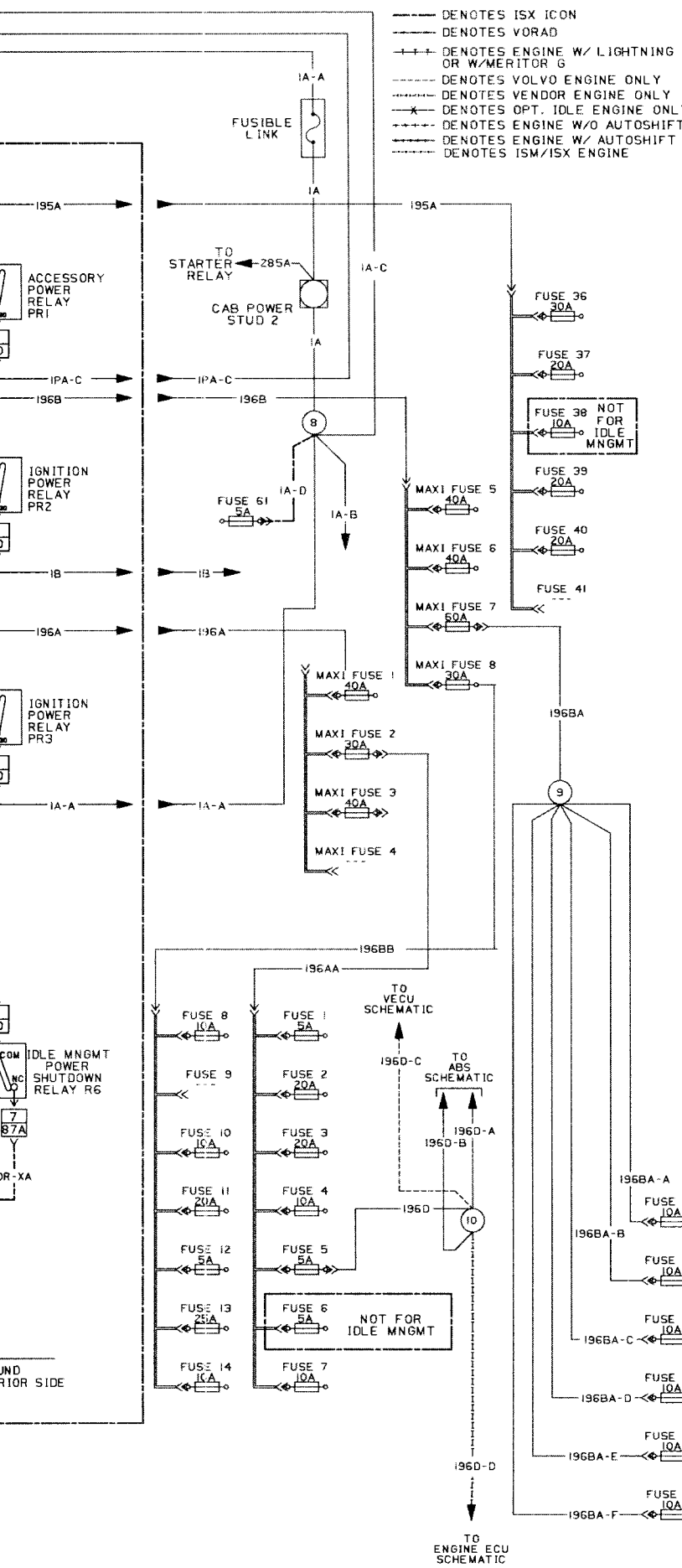
VN

From Build Date 5.99

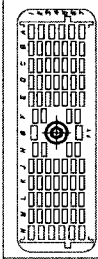




SPLICE LOCATION CHART		
SPLICE	HARNESS	LOCATION
2	ENGINE	MAIN TRUNK
4	CAB	FUSE AND RELAY CENTRE
5	CAB	FUSE AND RELAY CENTRE
6	CAB	FUSE AND RELAY CENTRE
7	CAB	FUSE AND RELAY CENTRE
8	CAB	FUSE AND RELAY CENTRE
9	CAB	FUSE AND RELAY CENTRE
10	CAB	FUSE AND RELAY CENTRE
12	CAB	FUSE AND RELAY CENTER



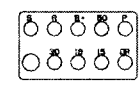
CONNECTOR AND SPLICE INFORMATION
CONNECTORS VIEWED FROM CABLE ENTRY



CONNECTOR 1
ENGINE HARNESS PASSTHROUGH

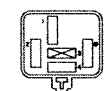
CAVITY	CIRCUIT	FUNCTION
B1	14	BATTERY CHARGING
A5	284-A	12 VOLT TO START RELAY
A5	284-D	12 VOLT TO START RELAY
A6	196DR-A	IGNITION SIGNAL
C5	583	ICON POWER SHUTDOWN

CONNECTOR 2
IGNITION SWITCH



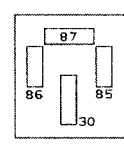
CAVITY	CIRCUIT	FUNCTION
DR	196DR	ECU IGNITION FEED
30	243A	12 VOLT SUPPLY
B-	243	12 VOLT SUPPLY
50	284	12 VOLT TO START RELAY
R	195	ACCESSORY RELAY
15	196	IGNITION RELAY
19	245	ENGINE PREHEAT FEED
19	591	DATA DISPLAY BAT FEED

CONNECTOR 3
STARTER RELAY



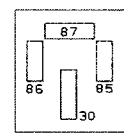
CAVITY	CIRCUIT	FUNCTION
30	285A	12 VOLT SUPPLY
85	284-A	12 VOLT TO START RELAY
86	990	COIL GROUND
87	285	12 VOLT SUPPLY

CONNECTOR 4
POWER RELAY 1



CAVITY	CIRCUIT	FUNCTION
30	1PA-C	12 VOLT SUPPLY
85	OR-R	COIL GROUND
86	195	12 VOLT COIL SUPPLY
86	195-A	12 VOLT COIL SUPPLY
87	195A	12 VOLT SUPPLY TO FUSES

CONNECTOR 5
POWER RELAY 2



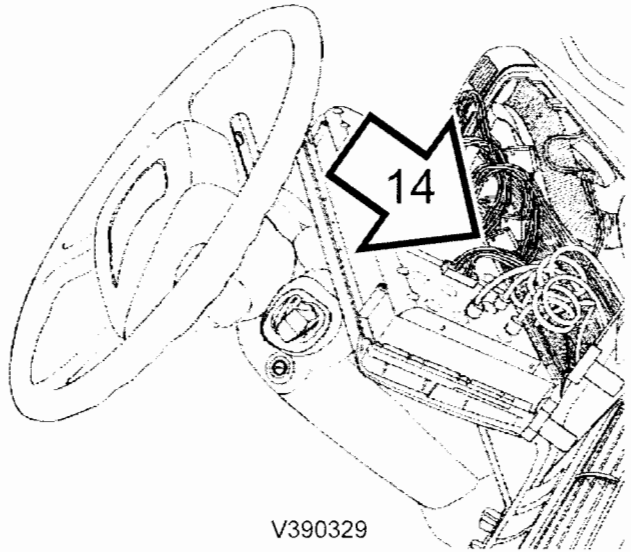
CAVITY	CIRCUIT	FUNCTION
30	1A-B	12 VOLT SUPPLY
85	OR-R/OR-N	COIL GROUND
86	196R	12 VOLT COIL SUPPLY
87	196B	12 VOLT SUPPLY TO FUSES

IGNITION EXPANSION BLOCK

TO ENGINE ECU SCHEMATIC

CHANGE HISTORY

EFFECTIVE DATE	DESCRIPTION



V390329

CONNECTOR 6 POWER RELAY 3

CAVITY	CIRCUIT	FUNCTION
30	1A-A	12 VOLT SUPPLY
85	OR-N/OR-M	COIL GROUND
86	196/196R	12 VOLT COIL SUPPLY
86	196-A/196R	12 VOLT COIL SUPPLY
87	196A	12 VOLT SUPPLY TO FUSES

CONNECTOR 7 OPTIMIZED IDLE POWER SHUTDOWN RELAY, R6

CAVITY	CIRCUIT	FUNCTION
30	OR-M	COIL GROUND
86	D196-D	12 VOLT COIL SUPPLY
86	583	12 VOLT COIL SUPPLY
85	583	COIL GROUND
87	OR-X	GROUND
87A	OR-XA	GROUND ICON

CONNECTOR 8 OCP OPTION CONNECTOR

CAVITY	CIRCUIT	FUNCTION
A	OV	GROUND
B	990	COIL GROUND

CONNECTOR 9 OCP CONNECTOR

CAVITY	CIRCUIT	FUNCTION
A	OVA	GROUND
B	990	COIL GROUND

CONNECTOR 10 BATTERY LIFEGUARD OPTION CONNECTOR

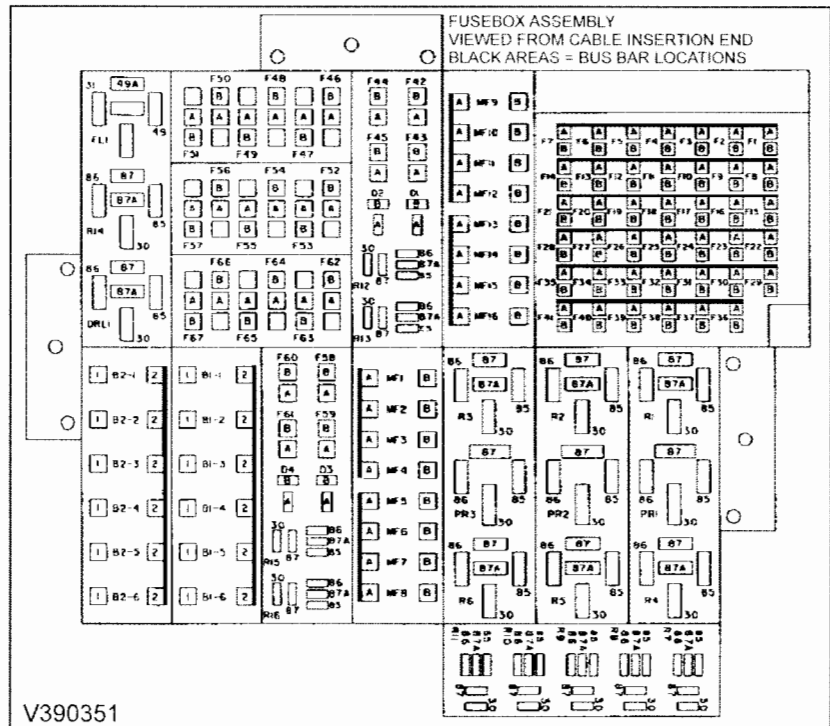
CAVITY	CIRCUIT	FUNCTION
-	IP	12 VOLT SUPPLY

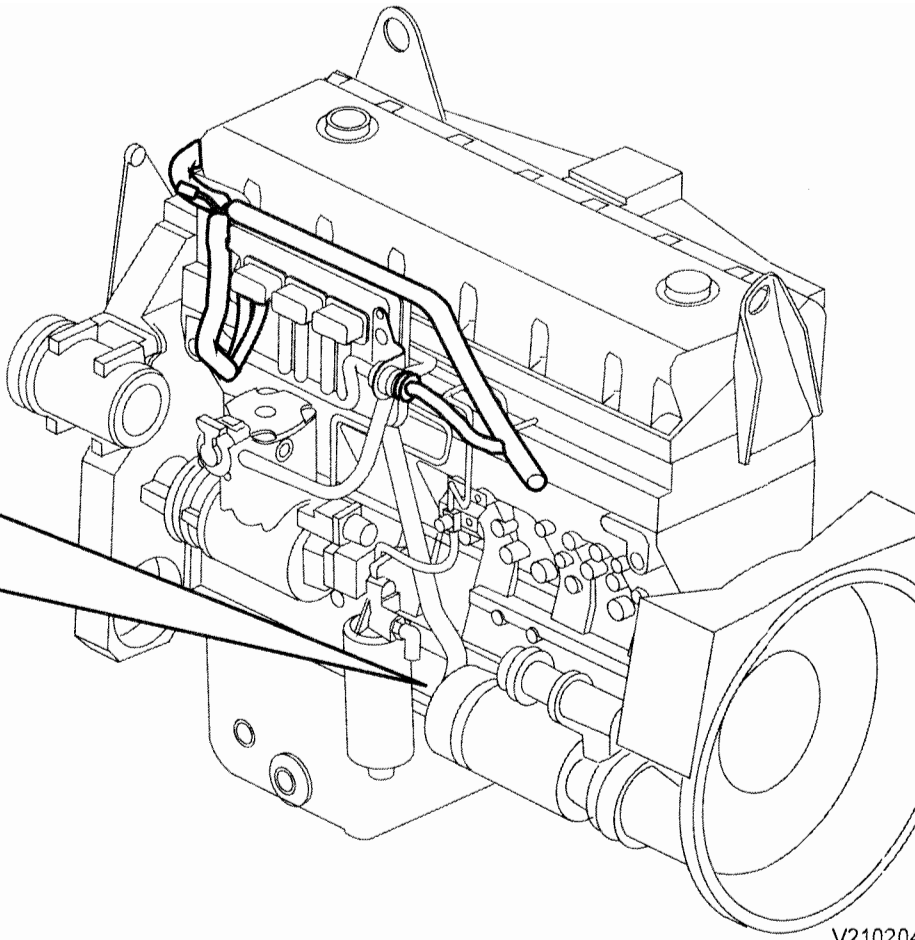
CONNECTOR 14 SPLICE PACK 196/284

CAVITY	CIRCUIT	FUNCTION
A	284	START SIGNAL
B	284A	START SIGNAL
B	284A	ICON START SIGNAL
C	284-E	START SIGNAL
D	284-A	START SIGNAL
D	284-A	START SIGNAL
G	196DR	IGNITION SIGNAL
H	196V	IGNITION SIGNAL
H	196DR-A	IGNITION SIGNAL
J	196T	IGNITION SIGNAL
K	196W	IGNITION SIGNAL
L	196DR-B	IGNITION SIGNAL
L	196DR-B	IGNITION SIGNAL
M	196DR-C	IGNITION SIGNAL

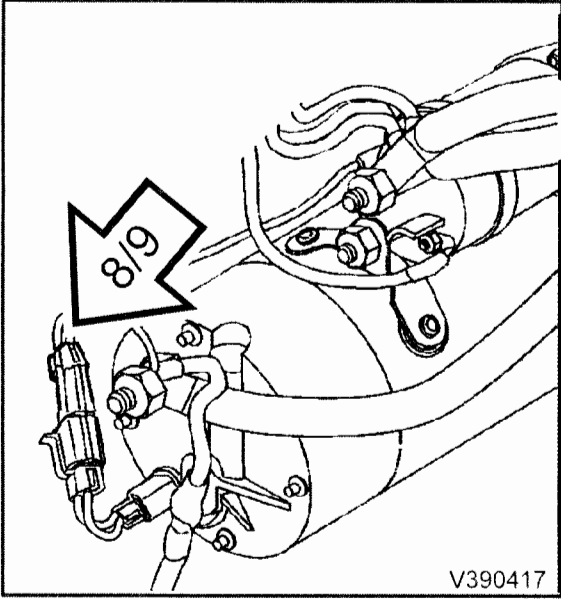
CONNECTOR 15 EXPANSION CONNECTOR B2-6

CAVITY	CIRCUIT	FUNCTION
1	WHT	REFERENCE GND
2	BLK	PARK BRAKE SIGNAL

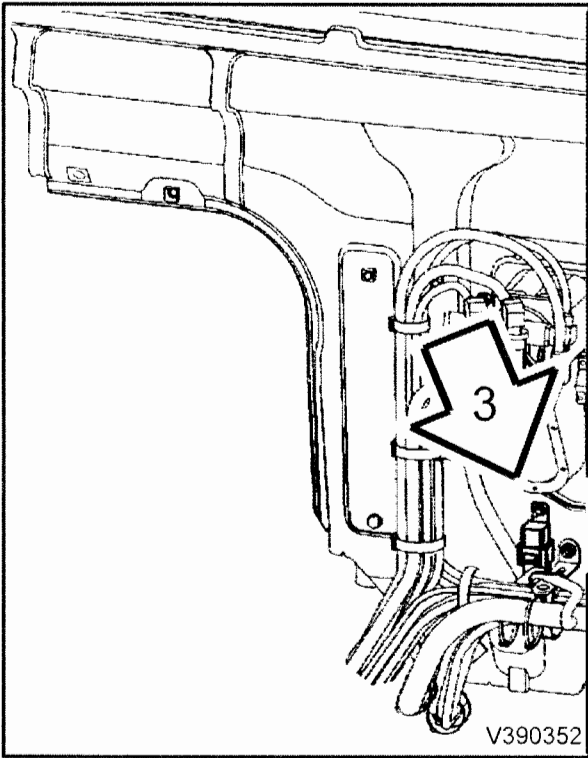




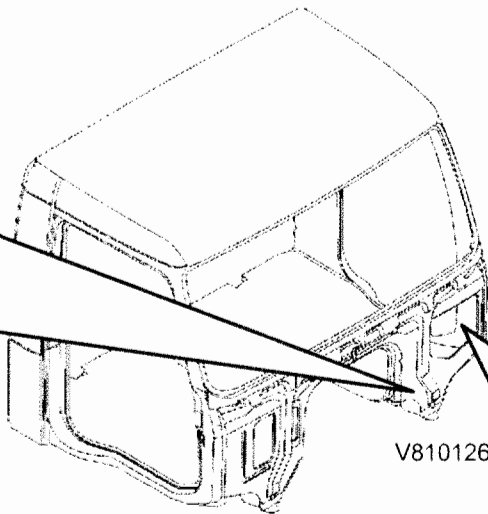
V210204



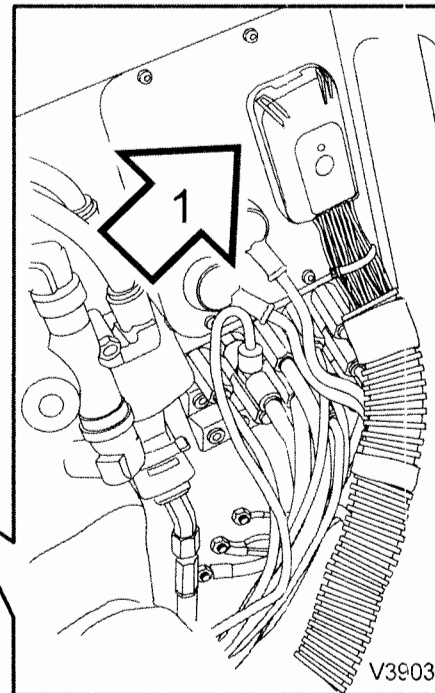
V390417



V390352



V810126



V3903

