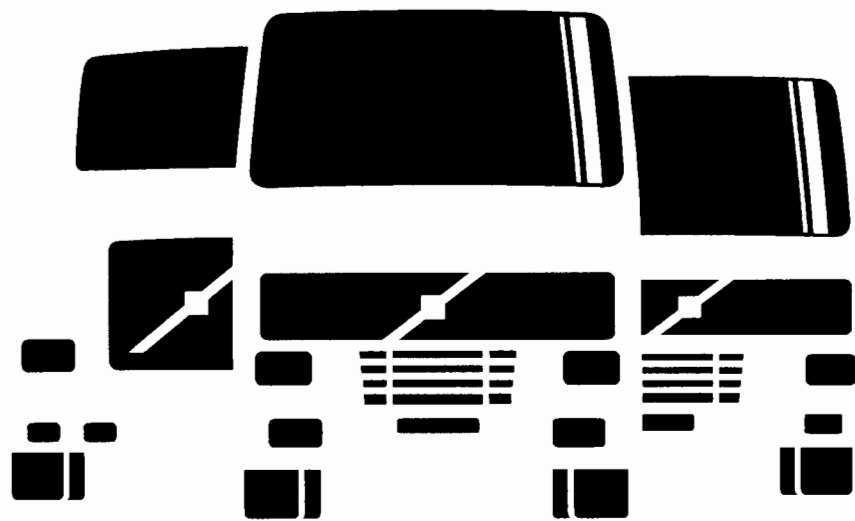


Service Manual Trucks

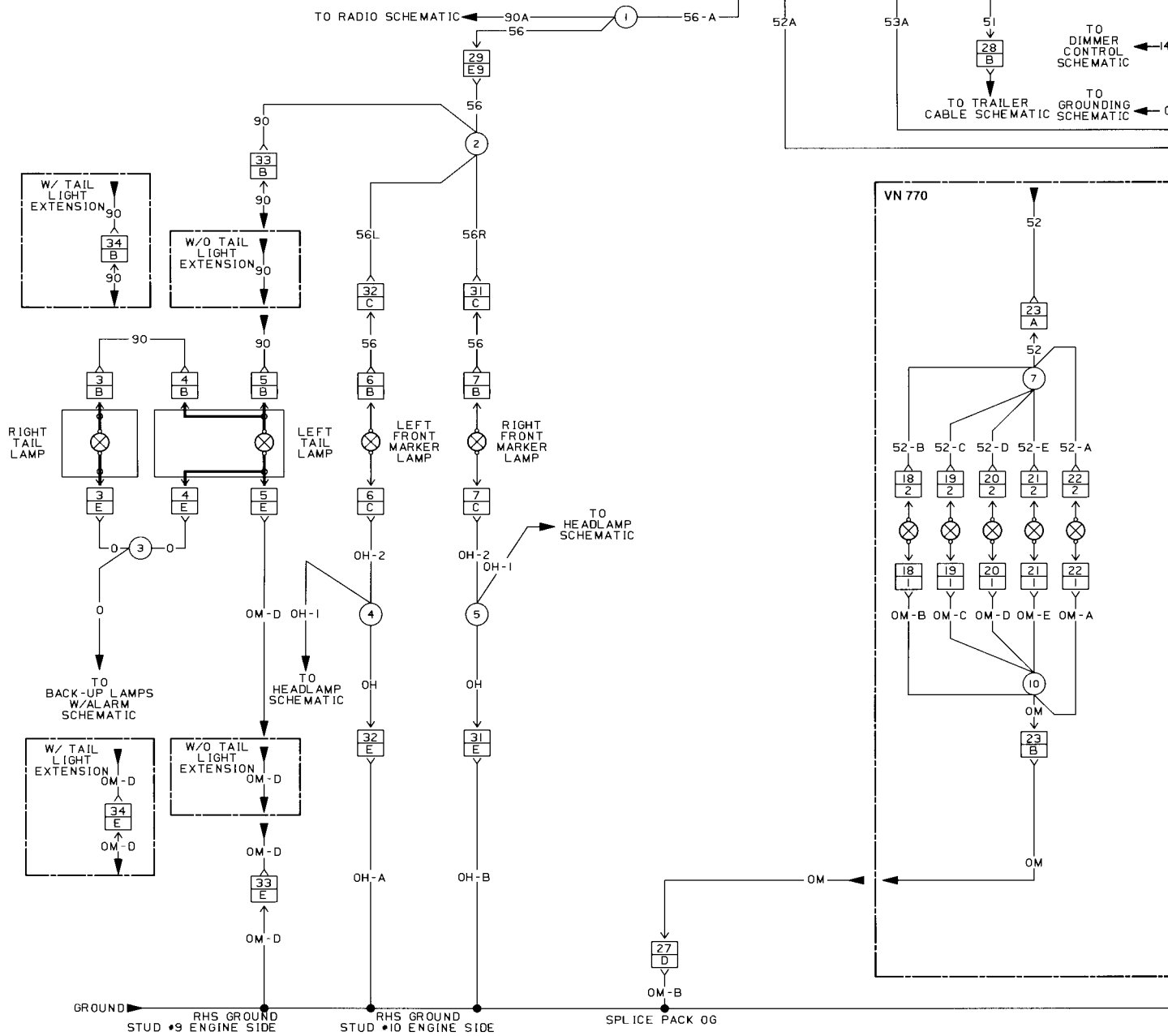
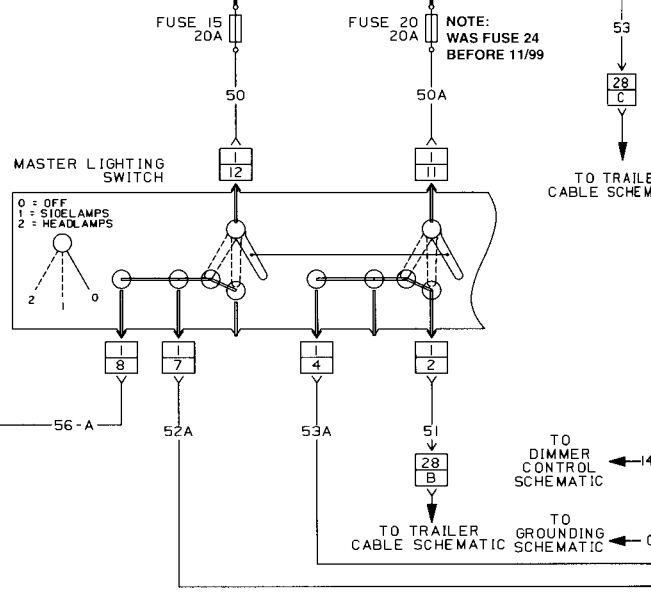
Group **37**
Electrical Schematic:
Marker Lamps
VN
From Build Date 5.99



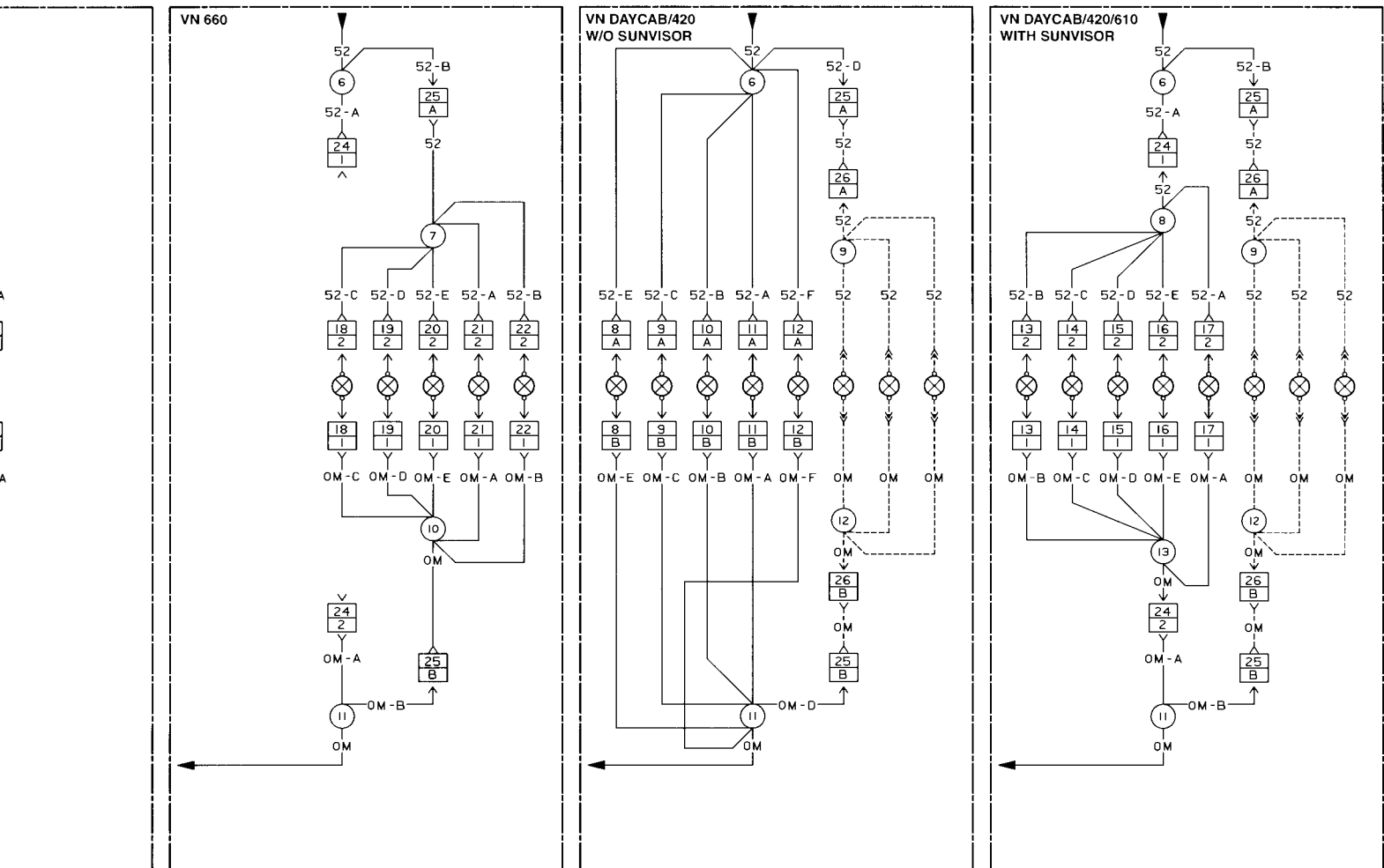
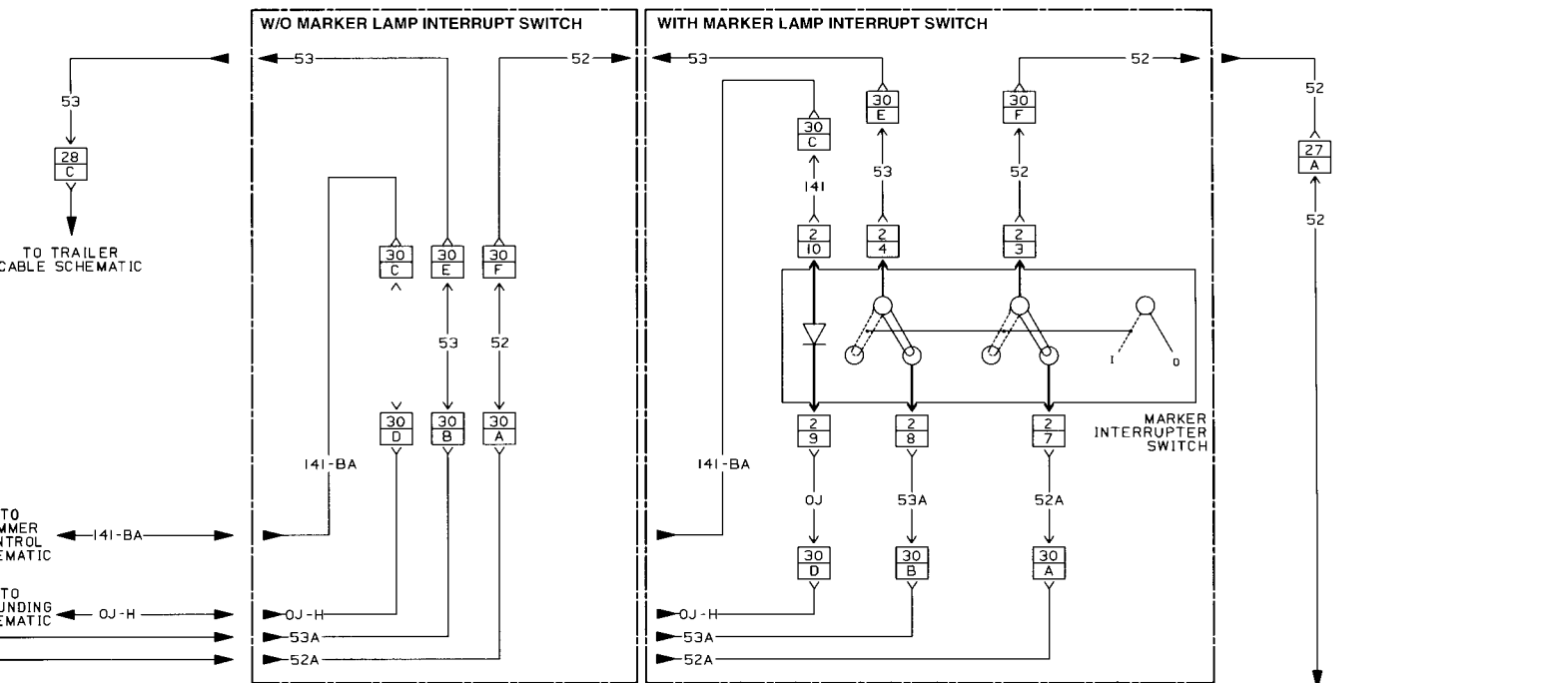
BATTERY 12 VOLT
IGNITION 12 VOLT
ACCESSORY 12 VOLT

SPLICE LOCATION CHART		
SPLICE	HARNESS	LOCATION
1	CAB	150MM FROM SRS INTERFACE
2	CHASSIS	MAIN TRUNK
3	TAIL LAMPS	MAIN TRUNK
4	HOOD	MAIN TRUNK
5	HOOD	MAIN TRUNK
6	OVERHEAD	MAIN TRUNK
7	SUN VISOR	MAIN TRUNK
8	SUN VISOR	MAIN TRUNK
9	ROOF SIGN	MAIN TRUNK
10	SUN VISOR	MAIN TRUNK
11	OVERHEAD	MAIN TRUNK
12	ROOF SIGN	MAIN TRUNK
13	SUN VISOR	MAIN TRUNK

----- DENOTES ROOF SIGN



Marker Lamps - VN



CONNECTOR AND SPLICE INFORMATION
CONNECTORS VIEWED FROM CABLE ENTRY

CONNECTOR 1
MASTER LIGHTING SWITCH

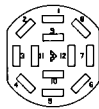


TABLE OF CONTENTS		
CAVITY	CIRCUIT	FUNCTION
2	51	TRAILER MARKER FEED
4	53A	TRAILER MARKER INTPT FEED
7	52A	ROOF MARKER INTPT FEED
8	56-A	SIDE MARKER FEED
11	50A	TRAILER MARKER SUPPLY
12	50	ROOF/SIDE MARKER SUPPLY

CONNECTOR 2
MARKER INTERRUPTER SWITCH

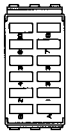


TABLE OF CONTENTS		
CAVITY	CIRCUIT	FUNCTION
3	52	ROOF MARKER FEED
4	53	TRAILER MARKER FEED
7	52A	ROOF MARKER INTPT SUPPLY
8	53A	TRAILER MARKER INTPT SUPPLY
9	0J	SWITCH ILLUMINATION GROUND
10	14I	SWITCH ILLUMINATION SUPPLY

CONNECTOR 3
RIGHT TAIL LAMP



TABLE OF CONTENTS		
CAVITY	CIRCUIT	FUNCTION
B	90	RIGHT TAIL LAMP SUPPLY
E	0	RIGHT TAIL LAMP GROUND

CONNECTOR 4
LEFT TAIL LAMP



TABLE OF CONTENTS		
CAVITY	CIRCUIT	FUNCTION
B	90	RIGHT TAIL LAMP FEED
E	0	RIGHT TAIL LAMP GROUND

CONNECTOR 5
LEFT TAIL LAMP

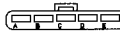


TABLE OF CONTENTS		
CAVITY	CIRCUIT	FUNCTION
B	90	LEFT TAIL LAMP SUPPLY
E	0	LEFT TAIL LAMP GROUND

CONNECTOR 6
LEFT FRONT MARKER LAMP



TABLE OF CONTENTS		
CAVITY	CIRCUIT	FUNCTION
B	56	LEFT FRONT MARKER SUPPLY
C	0H	LEFT FRONT MARKER GROUND

CONNECTOR 7
RIGHT FRONT MARKER LAMP



TABLE OF CONTENTS		
CAVITY	CIRCUIT	FUNCTION
B	56	RIGHT FRONT MARKER SUPPLY
C	0H	RIGHT FRONT MARKER GROUND

CONNECTOR 8
ROOF MARKER LAMP



TABLE OF CONTENTS		
CAVITY	CIRCUIT	FUNCTION
A	52-C	ROOF MARKER LAMP SUPPLY
B	0M-E	ROOF MARKER LAMP GROUND

CONNECTOR 9
ROOF MARKER LAMP



TABLE OF CONTENTS		
CAVITY	CIRCUIT	FUNCTION
A	52-C	ROOF MARKER LAMP SUPPLY
B	0M-C	ROOF MARKER LAMP GROUND

CONNECTOR 10
ROOF MARKER LAMP



TABLE OF CONTENTS		
CAVITY	CIRCUIT	FUNCTION
A	52-B	ROOF MARKER LAMP SUPPLY
B	0M-B	ROOF MARKER LAMP GROUND

CONNECTOR 11
ROOF MARKER LAMP



TABLE OF CONTENTS		
CAVITY	CIRCUIT	FUNCTION
A	52-A	ROOF MARKER LAMP SUPPLY
B	0M-A	ROOF MARKER LAMP GROUND

CONNECTOR 12
ROOF MARKER LAMP



TABLE OF CONTENTS		
CAVITY	CIRCUIT	FUNCTION
A	52-F	ROOF MARKER LAMP SUPPLY
B	0M-F	ROOF MARKER LAMP GROUND

CONNECTOR 13
SUN VISOR MARKER LAMP



TABLE OF CONTENTS		
CAVITY	CIRCUIT	FUNCTION
1	0M-B	SUN VISOR MARKER LAMP GROUND
2	52-B	SUN VISOR MARKER LAMP SUPPLY

CONNECTOR 14
SUN VISOR MARKER LAMP



TABLE OF CONTENTS		
CAVITY	CIRCUIT	FUNCTION
1	0M-C	SUN VISOR MARKER LAMP GROUND
2	52-C	SUN VISOR MARKER LAMP SUPPLY

CONNECTOR 15
SUN VISOR MARKER LAMP



TABLE OF CONTENTS		
CAVITY	CIRCUIT	FUNCTION
1	0M-D	SUN VISOR MARKER LAMP GROUND
2	52-D	SUN VISOR MARKER LAMP SUPPLY

CONNECTOR 16
SUN VISOR MARKER LAMP



TABLE OF CONTENTS		
CAVITY	CIRCUIT	FUNCTION
1	0M-E	SUN VISOR MARKER LAMP GROUND
2	52-E	SUN VISOR MARKER LAMP SUPPLY

CONNECTOR 17
SUN VISOR MARKER LAMP



TABLE OF CONTENTS		
CAVITY	CIRCUIT	FUNCTION
1	0M-A	SUN VISOR MARKER LAMP GROUND
2	52-A	SUN VISOR MARKER LAMP SUPPLY

CONNECTOR 18
SUN VISOR MARKER LAMP



TABLE OF CONTENTS		
CAVITY	CIRCUIT	FUNCTION
1	0M-B	SUN VISOR MARKER LAMP GROUND
2	52-B	SUN VISOR MARKER LAMP SUPPLY

CONNECTOR 19
SUN VISOR MARKER LAMP



TABLE OF CONTENTS		
CAVITY	CIRCUIT	FUNCTION
1	0M-C	SUN VISOR MARKER LAMP GROUND
2	52-C	SUN VISOR MARKER LAMP SUPPLY

CONNECTOR 20
SUN VISOR MARKER LAMP



TABLE OF CONTENTS		
CAVITY	CIRCUIT	FUNCTION
1	0M-D	SUN VISOR MARKER LAMP GROUND
2	52-D	SUN VISOR MARKER LAMP SUPPLY

CONNECTOR 21
SUN VISOR MARKER LAMP



TABLE OF CONTENTS		
CAVITY	CIRCUIT	FUNCTION
1	0M-E	SUN VISOR MARKER LAMP GROUND
2	52-E	SUN VISOR MARKER LAMP SUPPLY

CONNECTOR 22
SUN VISOR MARKER LAMP



TABLE OF CONTENTS		
CAVITY	CIRCUIT	FUNCTION
1	0M-A	SUN VISOR MARKER LAMP GROUND
2	52-A	SUN VISOR MARKER LAMP SUPPLY

CONNECTOR 23
SUN VISOR HARNESS



TABLE OF CONTENTS		
CAVITY	CIRCUIT	FUNCTION
A	52	SUN VISOR MARKER LAMP SUPPLY
B	0M	SUN VISOR MARKER LAMP GROUND

CONNECTOR 24
SUN VISOR HARNESS



TABLE OF CONTENTS		
CAVITY	CIRCUIT	FUNCTION
1	52-A	SUN VISOR MARKER LAMP SUPPLY
2	0M-A	SUN VISOR MARKER LAMP GROUND

CONNECTOR 25
SUN VISOR HARNESS/ROOF SIGN HARNESS



TABLE OF CONTENTS		
CAVITY	CIRCUIT	FUNCTION
A	52-B	YSR MARKER/ROOF SIGN SUPPLY
A	52-D	ROOF SIGN SUPPLY
B	0M-B	YSR MARKER/ROOF SIGN GROUND
B	0M-D	ROOF SIGN GROUND

CONNECTOR 26
ROOF SIGN HARNESS



TABLE OF CONTENTS		
CAVITY	CIRCUIT	FUNCTION
A	52	ROOF SIGN SUPPLY
B	0M	ROOF SIGN GROUND

CONNECTOR 27
OVERHEAD HARNESS



TABLE OF CONTENTS		
CAVITY	CIRCUIT	FUNCTION
A	52	ROOF MARKER LAMP SUPPLY
D	0M-B	ROOF MARKER LAMP GROUND

CONNECTOR 28
TRAILER HARNESS



TABLE OF CONTENTS		
CAVITY	CIRCUIT	FUNCTION
B	51	TRAILER MARKER LAMP FEED
C	53	TRAILER MARKER LAMP INTPT FEED

CONNECTOR 29
CHASSIS PASSTHROUGH



TABLE OF CONTENTS		
CAVITY	CIRCUIT	FUNCTION
E9	56	TAIL MARKER LAMP SUPPLY

CONNECTOR 30
MARKER INTERRUPTER HARNESS



TABLE OF CONTENTS		
CAVITY	CIRCUIT	FUNCTION
A	52A	ROOF MARKER INTPT SUPPLY
B	53A	TRAILER MARKER INTPT SUPPLY
C	14I-BA	SWITCH ILLUMINATION SUPPLY
D	0J-H	SWITCH ILLUMINATION GROUND
E	53	TRAILER MARKER LAMP FEED
F	52	ROOF MARKER LAMP FEED

CONNECTOR 31
RIGHT FRONT MARKER EXTENSION HARNESS



TABLE OF CONTENTS		
CAVITY	CIRCUIT	FUNCTION
C	56R	RIGHT MARKER LAMP SUPPLY
E	0H-B	RIGHT MARKER LAMP GROUND

CONNECTOR 32
LEFT FRONT MARKER EXTENSION HARNESS



TABLE OF CONTENTS		
CAVITY	CIRCUIT	FUNCTION
C	56L	LEFT MARKER LAMP SUPPLY
E	0H-A	LEFT MARKER LAMP GROUND

CONNECTOR 33
REAR CHASSIS EXTENSION HARNESS



TABLE OF CONTENTS		
CAVITY	CIRCUIT	FUNCTION
B	90	TAIL LAMPS SUPPLY
E	0M-O	TAIL LAMPS GROUND

CONNECTOR 34
REAR CHASSIS EXTENSION HARNESS



TABLE OF CONTENTS		
CAVITY	CIRCUIT	FUNCTION
B	90	TAIL LAMPS SUPPLY
E	0M-O	TAIL LAMPS GROUND

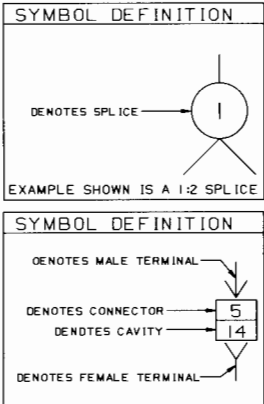
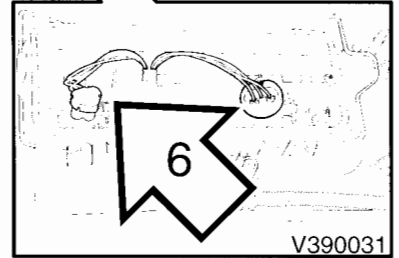
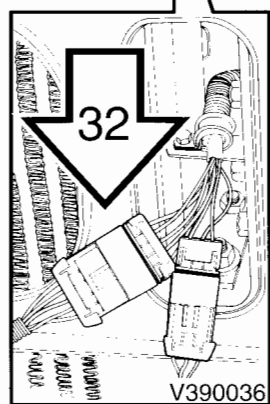
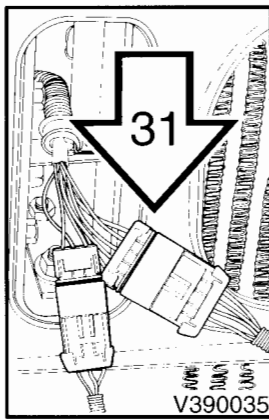
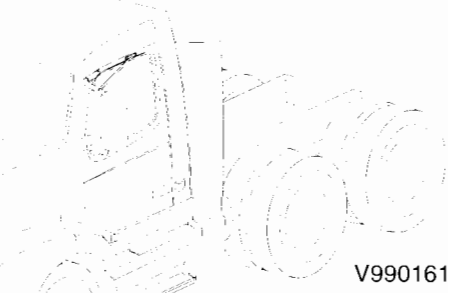
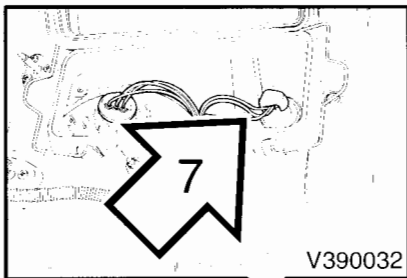
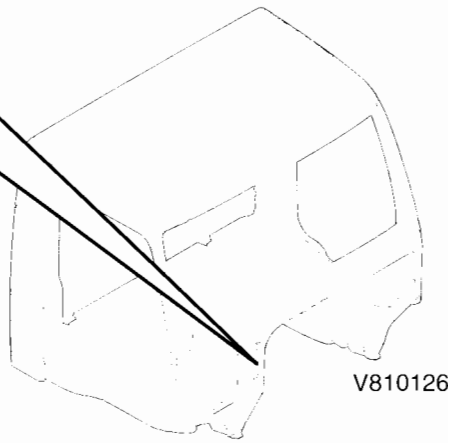
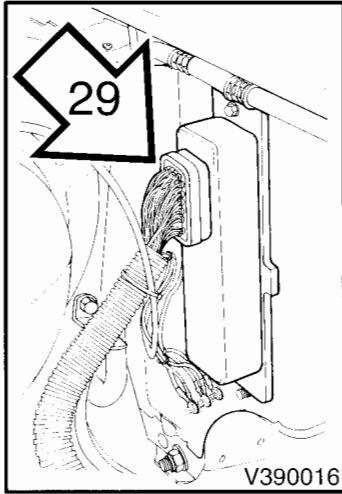
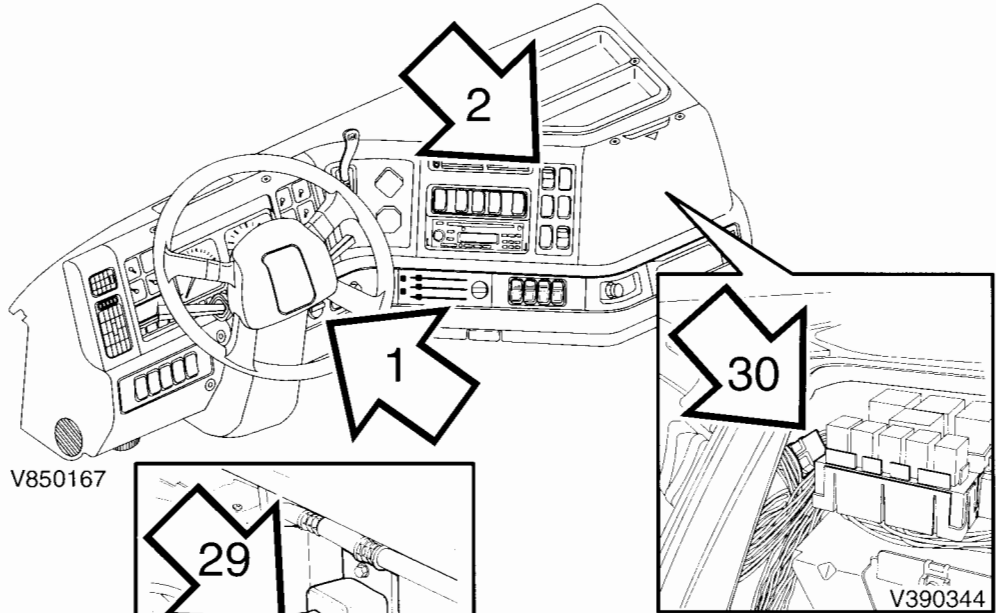
EFFECTIVE DATE	DES
5.99	NEV
11/99	FUS

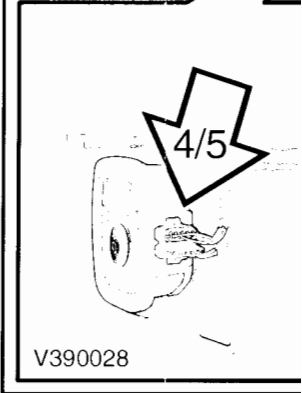
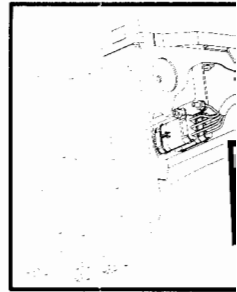
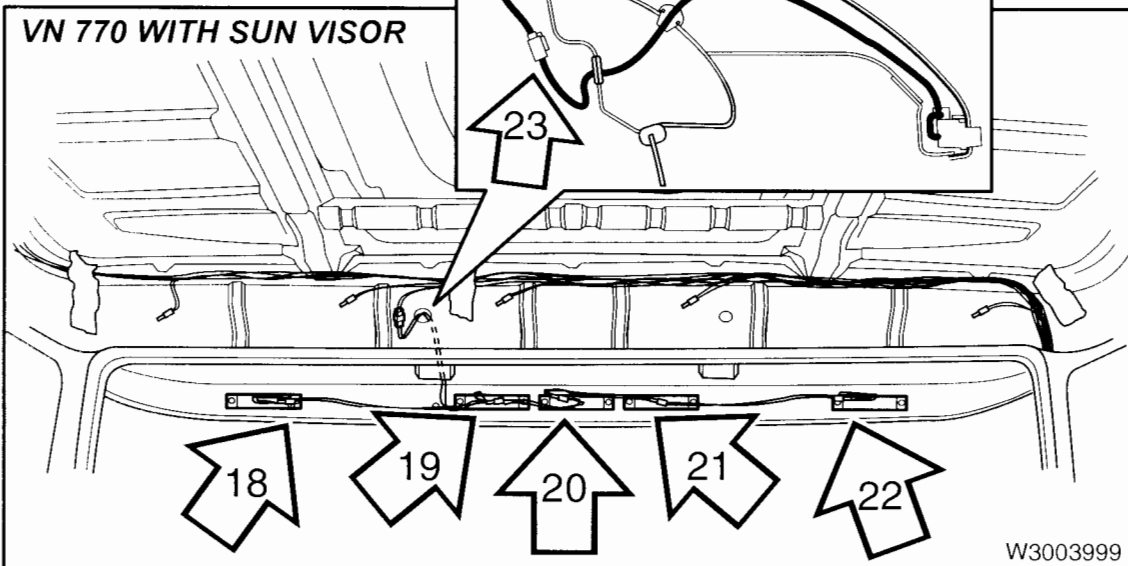
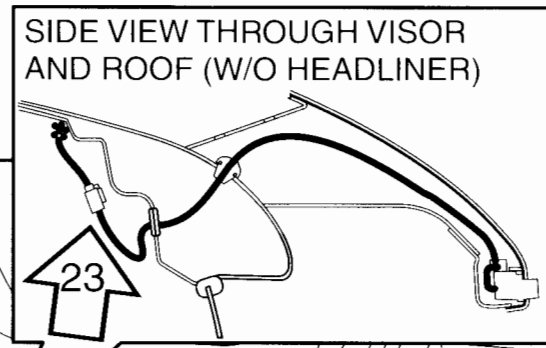
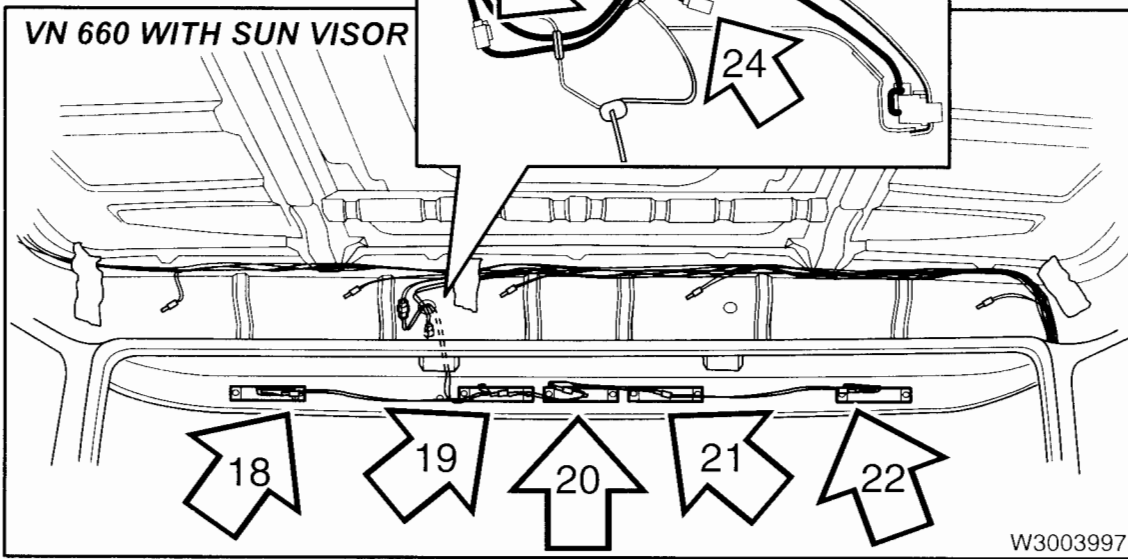
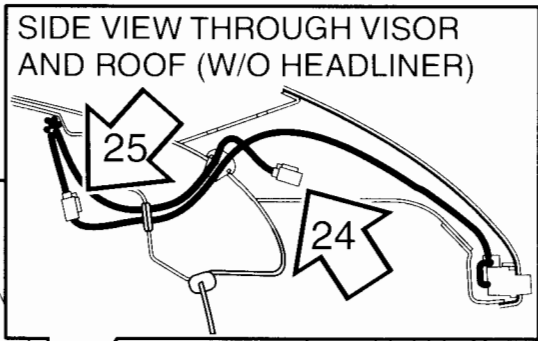
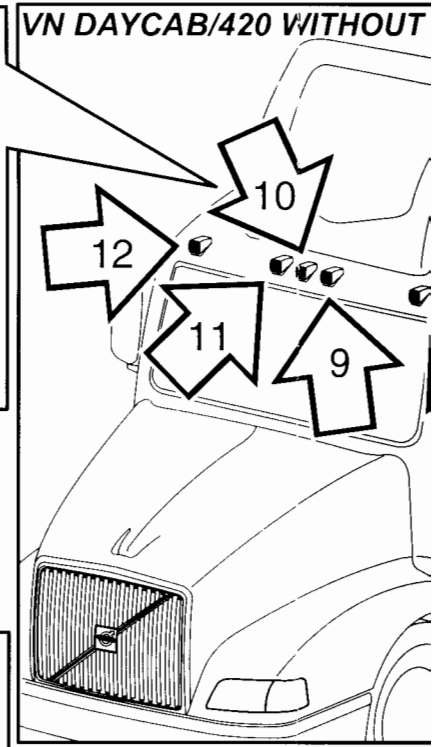
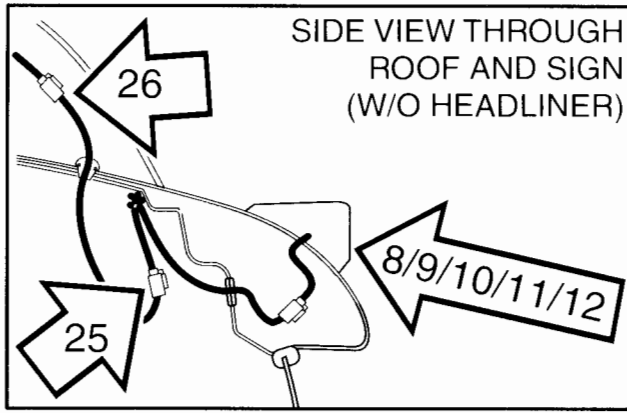
52

0M

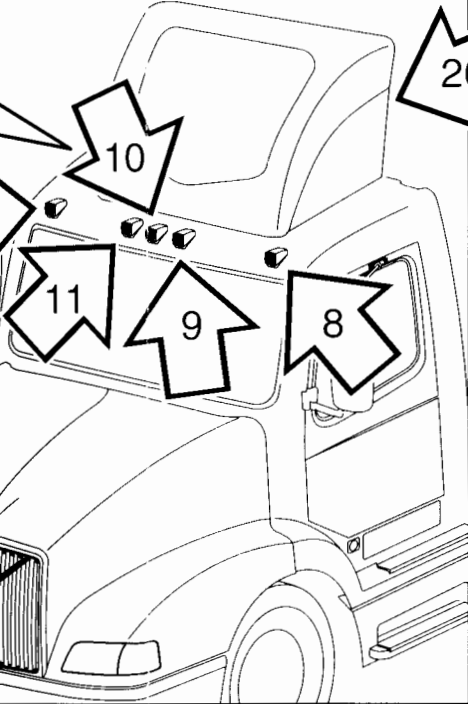
CHANGE HISTORY

EFFECTIVE DATE	DESCRIPTION
5.99	NEW INSTRUMENT CLUSTER
11/99	FUSE CHANGE

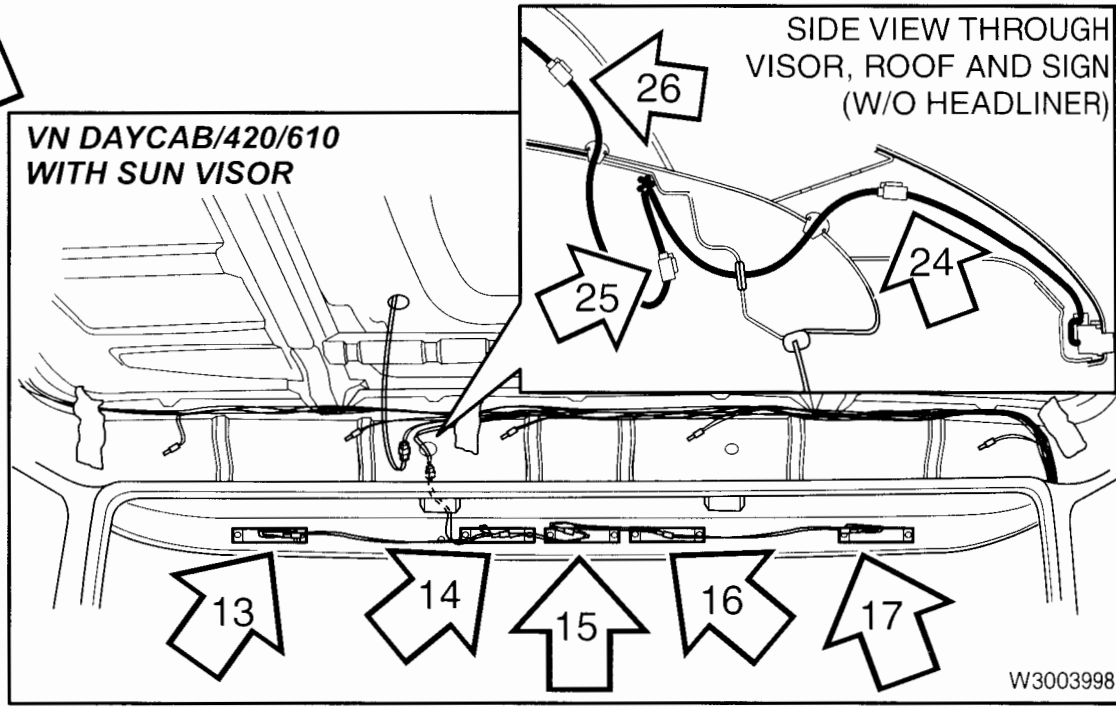




CAB/420 WITHOUT SUN VISOR



VN DAYCAB/420/610 WITH SUN VISOR



SIDE VIEW THROUGH VISOR, ROOF AND SIGN (W/O HEADLINER)

W3003998

ALL VN MODELS

