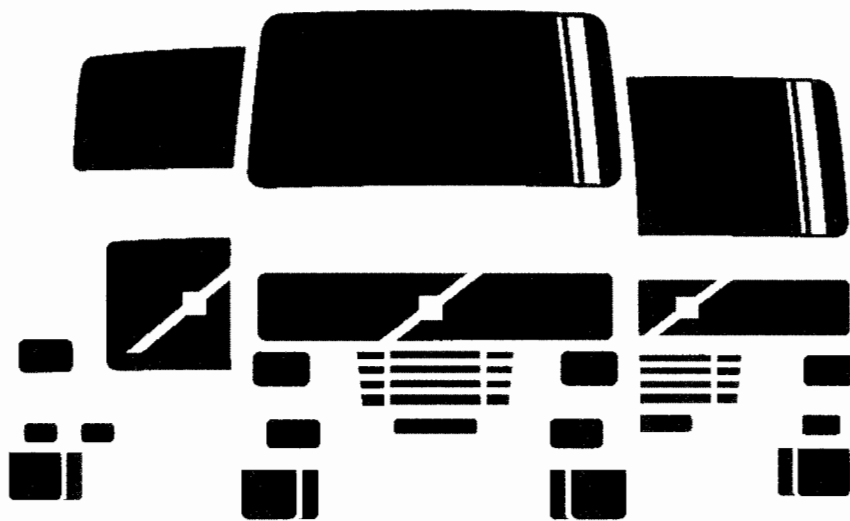


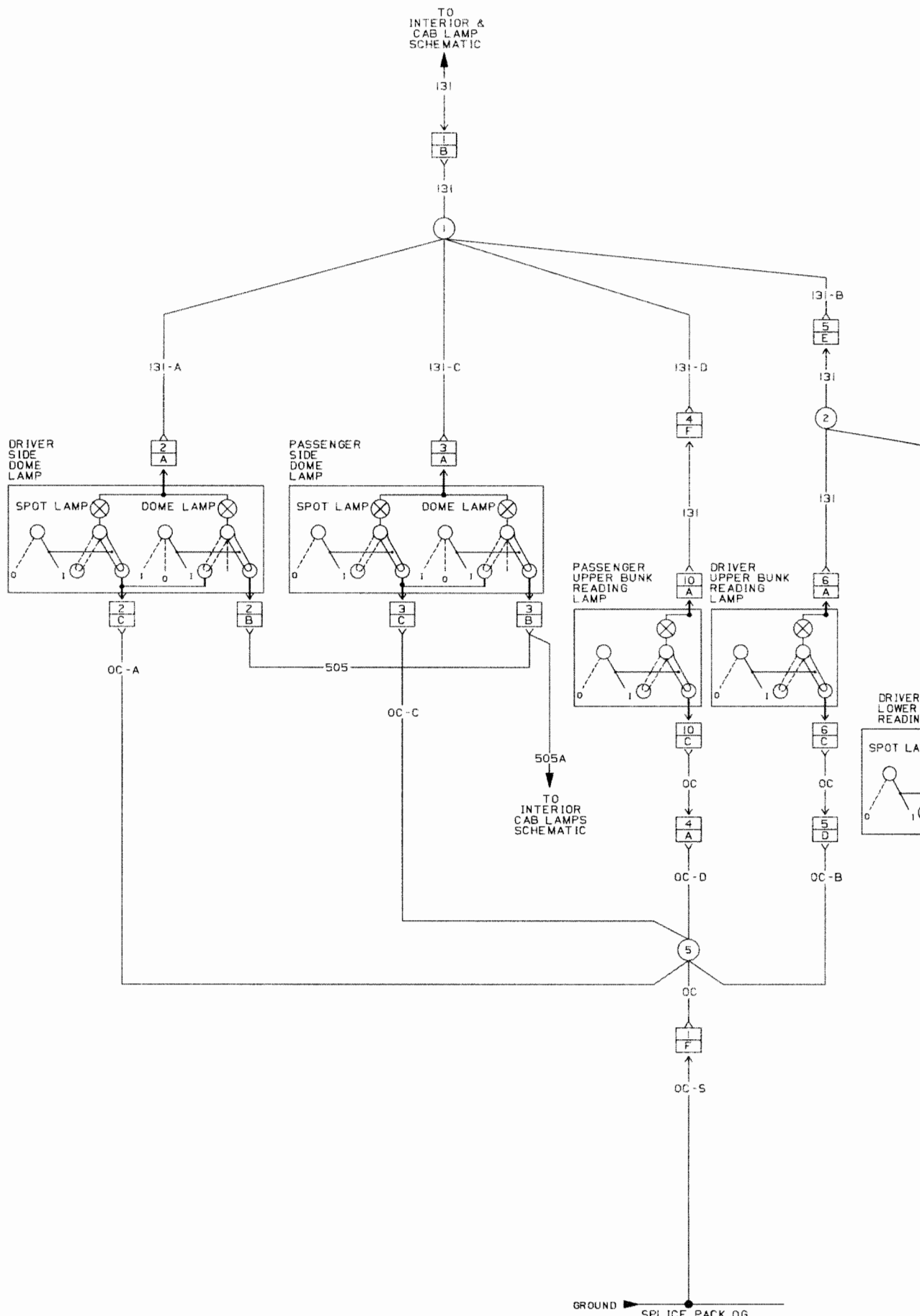
Service Manual Trucks

Group **37**

Electrical Schematic:
Interior Cab Lamps
(front and bunk)

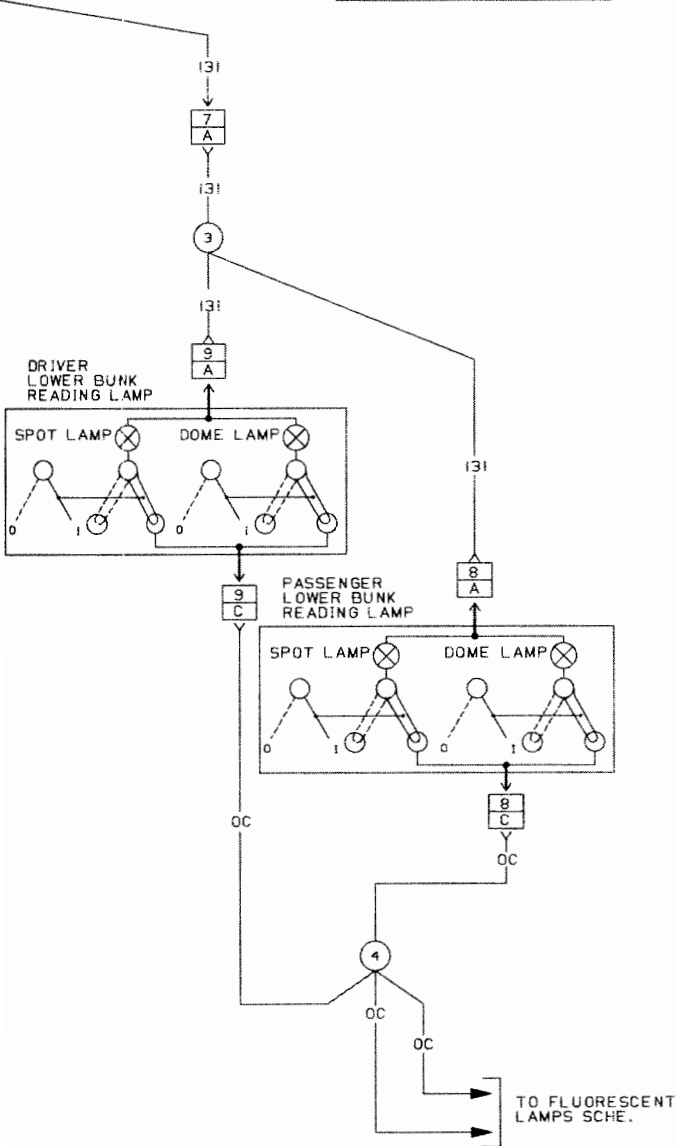
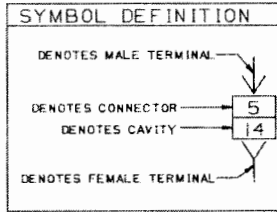
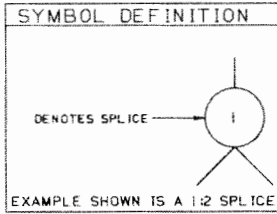
VN 770 Sleeper
From Build Date 5.99





Interior Cab Lamps (front and bunk) - VN 770 Sleeper

| SPLICE LOCATION CHART | | |
|-----------------------|----------------|--------------------------------|
| SPLICE | HARNESS | LOCATION |
| 1 | OVERHEAD LAMP | MAIN TRUNK |
| 2 | LEFT REAR LSH4 | UPPER BUNK READING LIGHT DISC. |
| 3 | REAR WALL VAL | RIGHT REAR READING LIGHT DISC. |
| 4 | REAR WALL VAL | LEFT REAR READING LIGHT DISC. |
| 5 | OVERHEAD LAMP | MAIN TRUNK |



**CONNECTOR AND SPLICE INFORMATION
CONNECTORS VIEWED FROM CABLE ENTRY**

**CONNECTOR 1
MAIN CAB HARN TO OVERHEAD LAMP HARN**

| TABLE OF CONTENTS | | |
|-------------------|---------|--------------------|
| CAVITY | CIRCUIT | FUNCTION |
| B | 131 | CAB DOME LAMP FEED |
| F | OC-S | GROUND |

**CONNECTOR 2
OVERHEAD LAMP HARNESS TO OVERHEAD LAMP DRIVER SIDE**

| TABLE OF CONTENTS | | |
|-------------------|---------|----------------------------|
| CAVITY | CIRCUIT | FUNCTION |
| A | 131-A | CAB DOME LAMP FEED |
| B | 505 | CAB OVERHEAD LAMP TO RELAY |
| C | OC-A | GROUND |

**CONNECTOR 3
OVERHEAD LAMP HARNESS TO OVERHEAD LAMP PASSENGER SIDE**

| TABLE OF CONTENTS | | |
|-------------------|----------|----------------------------|
| CAVITY | CIRCUIT | FUNCTION |
| A | 131-C | CAB DOME LAMP FEED |
| B | 505/505A | CAB OVERHEAD LAMP TO RELAY |
| C | OC-C | GROUND |

**CONNECTOR 4
OVERHEAD LAMP HARNESS TO OVERHEAD LAMP**

| TABLE OF CONTENTS | | |
|-------------------|---------|--------------------|
| CAVITY | CIRCUIT | FUNCTION |
| A | OC-D | GROUND |
| F | 131-D | CAB DOME LAMP FEED |

**CONNECTOR 5
OVERHEAD LAMP TO OVERHEAD LAMP HARNESS LEFT REAR**

| TABLE OF CONTENTS | | |
|-------------------|---------|--------------------|
| CAVITY | CIRCUIT | FUNCTION |
| E | OC-B | GROUND |
| F | 131-B | CAB DOME LAMP FEED |

**CONNECTOR 6
UPPER BUNK READING LAMP TO OVERHEAD LAMP/LEFT REAR HARNESS**

| TABLE OF CONTENTS | | |
|-------------------|---------|------------------------|
| CAVITY | CIRCUIT | FUNCTION |
| A | 131 | LUGGAGE DOME LAMP FEED |
| C | OC | GROUND |

**CONNECTOR 7
REAR WALL VALANCE HARNESS TO OVERHEAD LAMP/LEFT REAR HARNESS**

| TABLE OF CONTENTS | | |
|-------------------|---------|------------------------|
| CAVITY | CIRCUIT | FUNCTION |
| A | 131 | LUGGAGE DOME LAMP FEED |

**CONNECTOR 8
RIGHT REAR READING LAMP TO REAR WALL VALANCE HARNESS**

| TABLE OF CONTENTS | | |
|-------------------|---------|------------------------|
| CAVITY | CIRCUIT | FUNCTION |
| A | 131 | LUGGAGE DOME LAMP FEED |
| C | OC | GROUND |

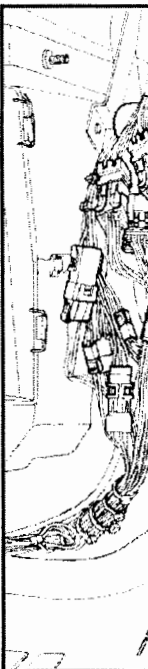
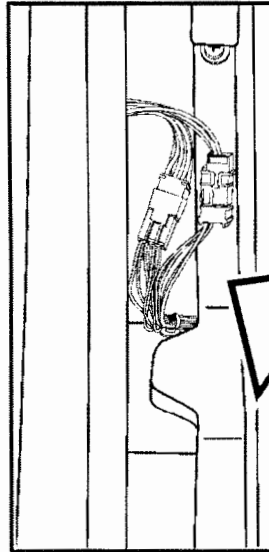
**CONNECTOR 9
LEFT REAR READING LAMP TO REAR WALL VALANCE HARNESS**

| TABLE OF CONTENTS | | |
|-------------------|---------|------------------------|
| CAVITY | CIRCUIT | FUNCTION |
| A | 131 | LUGGAGE DOME LAMP FEED |
| C | OC | GROUND |

**CONNECTOR 10
UPPER BUNK READING LAMP TO OVERHEAD LAMP/RIGHT REAR HARNESS**

| TABLE OF CONTENTS | | |
|-------------------|---------|------------------------|
| CAVITY | CIRCUIT | FUNCTION |
| A | 131 | LUGGAGE DOME LAMP FEED |
| C | OC | GROUND |

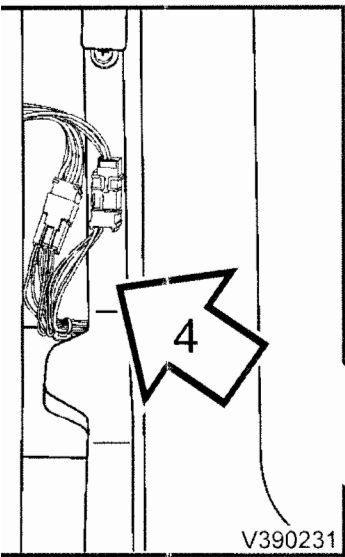
| CHANGE | |
|----------------|-------------|
| EFFECTIVE DATE | DESCRIPTION |
| | |
| | |
| | |
| | |



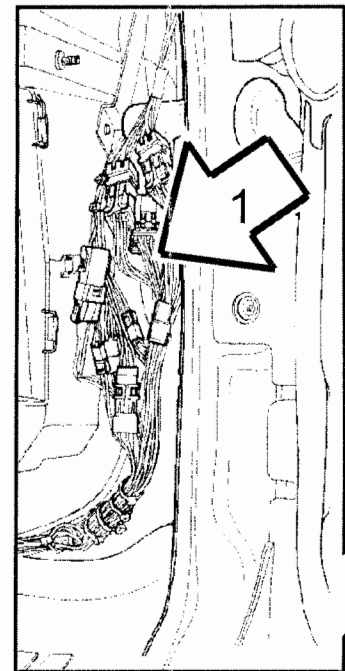
CHANGE HISTORY

DESCRIPTION

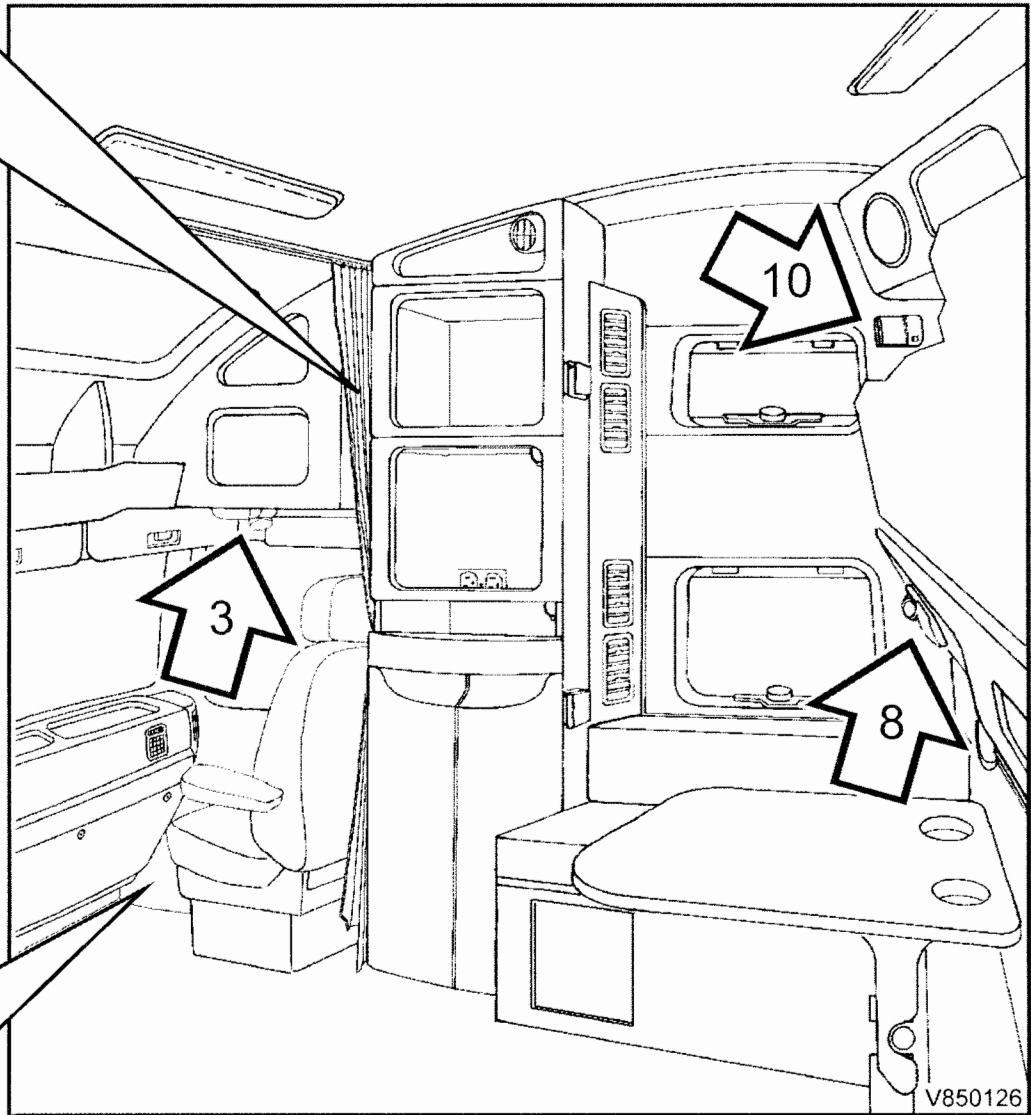
| DESCRIPTION |
|-------------|
| |
| |
| |
| |
| |
| |
| |
| |
| |
| |



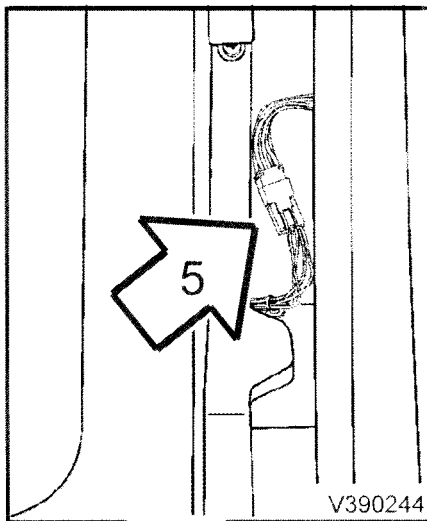
V390231



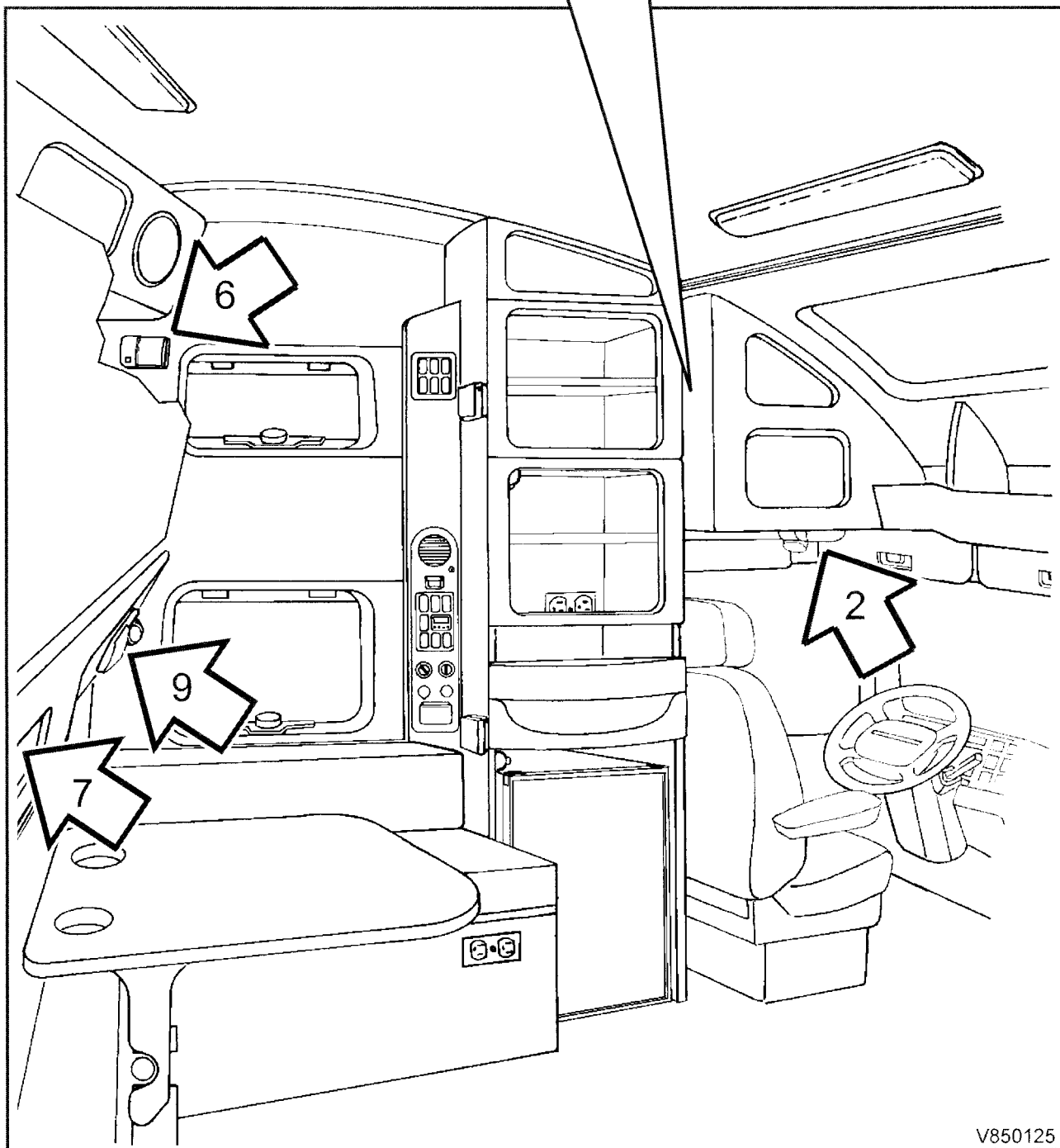
V850126



V850126



V390244



V850125