

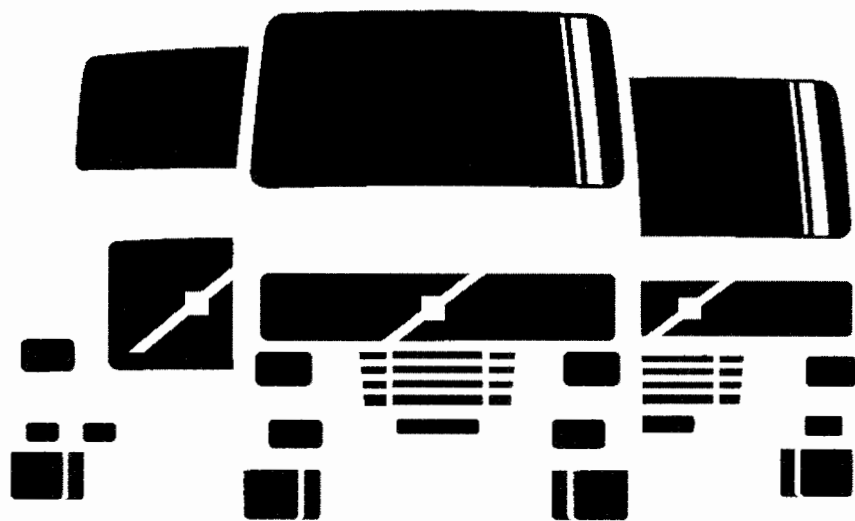
Service Manual Trucks

Group **37**

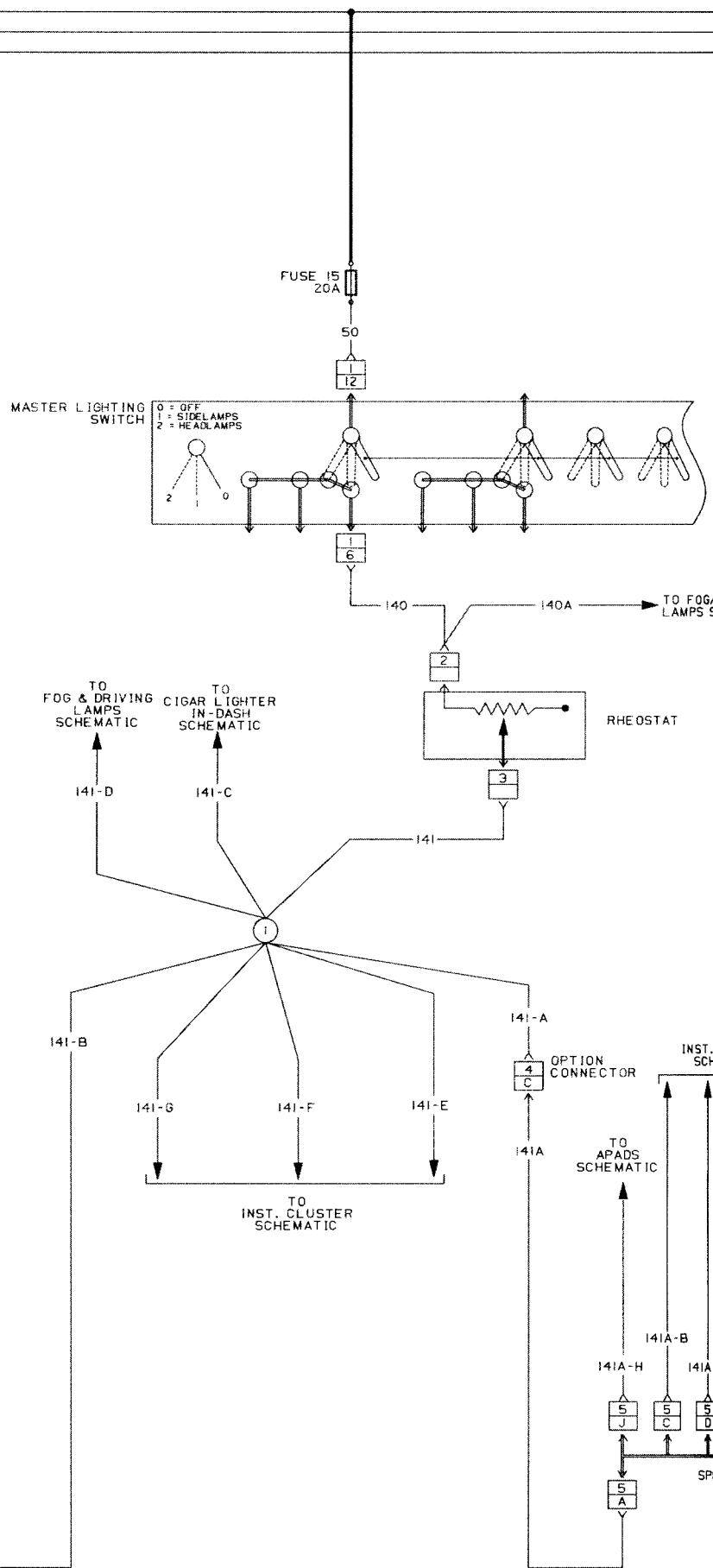
Electrical Schematic:
Dash Illumination Control

VN

From Build Date 5.99



BATTERY 12 VOLT
 IGNITION 12 VOLT
 ACCESSORY 12 VOLT



Dash Illumination Control - VN

EFFECTIVE DATE	DESCRIPTION
1.00	CORRECTIONS

CONNECTOR AND SPLICE INFORMATION
CONNECTORS VIEWED FROM CABLE ENTRY

CONNECTOR 1
MASTER LIGHTING SWITCH

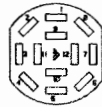


TABLE OF CONTENTS		
CAVITY	CIRCUIT	FUNCTION
S	140	RHEOSTAT FEED
I2	50	12 VOLT SUPPLY

CONNECTOR 2
DIMMER CONTROL



TABLE OF CONTENTS		
CAVITY	CIRCUIT	FUNCTION
	140/140A	DIMMER CONTROL

CONNECTOR 3
DIMMER CONTROL



TABLE OF CONTENTS		
CAVITY	CIRCUIT	FUNCTION
	141	DIMMER CONTROL

LOCATION : RHEOSTAT

CONNECTOR 4
MAIN CAB OPTION CONNECTOR 1



TABLE OF CONTENTS		
CAVITY	CIRCUIT	FUNCTION
C	141-A	ILLUMINATION

CONNECTOR 5
SPLICE PACK 141A



TABLE OF CONTENTS		
CAVITY	CIRCUIT	FUNCTION
A	141A	ILLUMINATION
B	141A-A	ILLUMINATION
C	141A-B	ILLUMINATION
D	141A-C	ILLUMINATION
E	141A-D	ILLUMINATION
F	141A-E	ILLUMINATION
G	141A-F	ILLUMINATION
H	141A-G	ILLUMINATION
J	141A-H	ILLUMINATION

CONNECTOR 6
SPLICE PACK 141-B



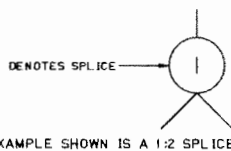
TABLE OF CONTENTS		
CAVITY	CIRCUIT	FUNCTION
A	141-B	ILLUMINATION
B	141-BA	ILLUMINATION
C	141-BC	ILLUMINATION
D	141-BD	ILLUMINATION
E	141-BE	ILLUMINATION
F	141-BF	ILLUMINATION
H	141-BB	ILLUMINATION
J	141-BH	ILLUMINATION

SPLICE LOCATION CHART

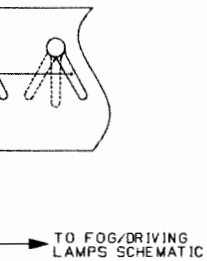
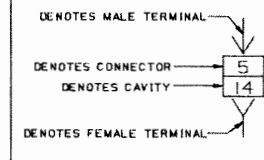
SPLICE	HARNESS	LOCATION
I	CAB	MAIN TRUNK

- DENOTES CUMMINS ENGINES ONLY
- DENOTES CUMMINS, DDEC ENGINES ONLY
- DENOTES VOLVO ENGINE ONLY
- DENOTES AUTOSHIFT ONLY

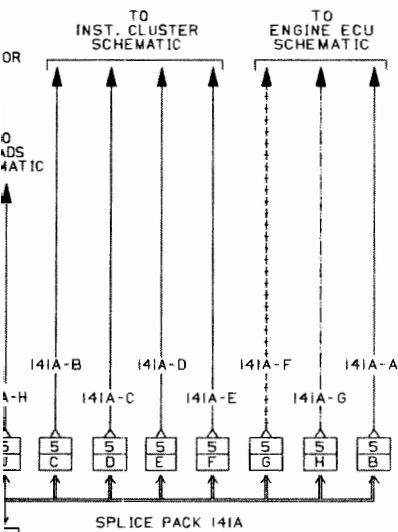
SYMBOL DEFINITION



SYMBOL DEFINITION

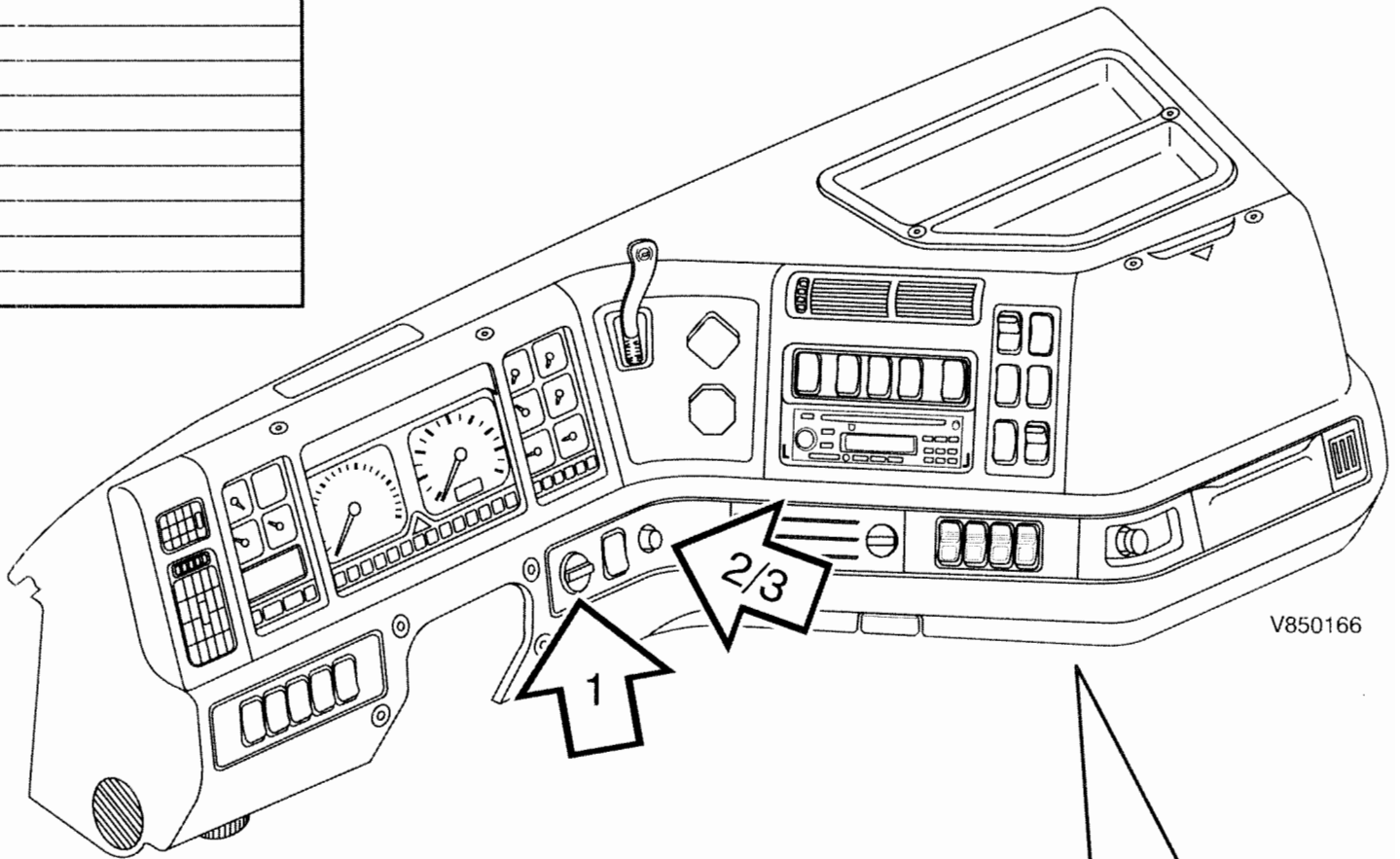


RHEOSTAT

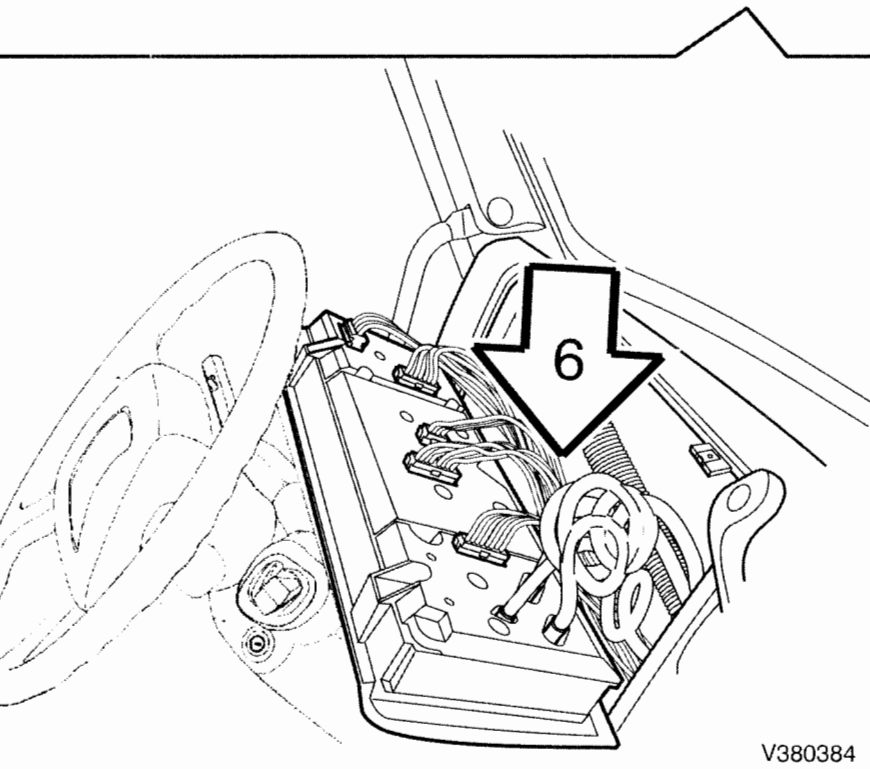


CHANGE HISTORY

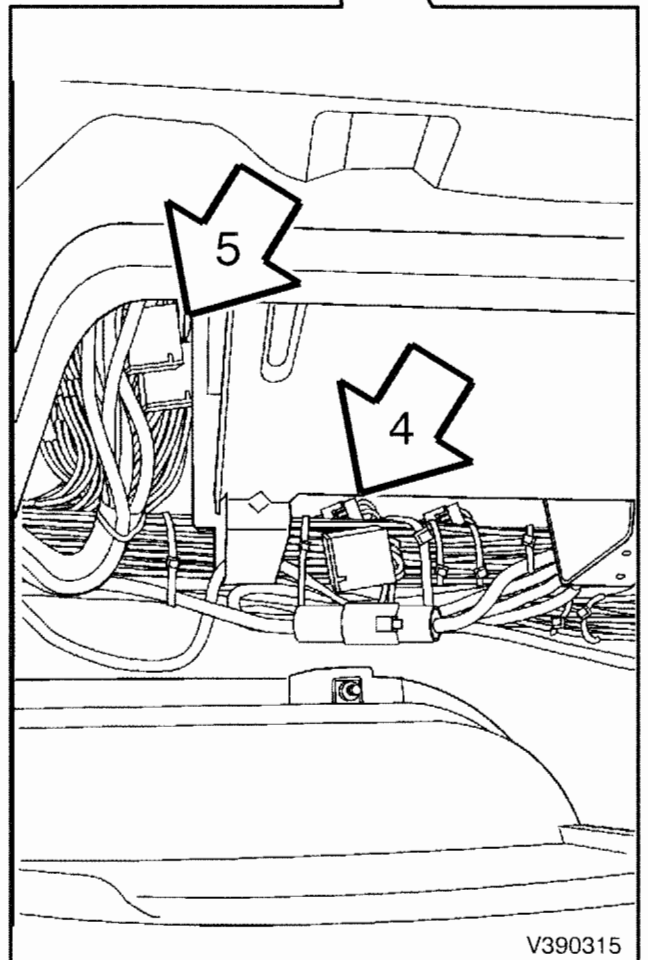
DESCRIPTION
CORRECTIONS



V850166



V380384



V390315