

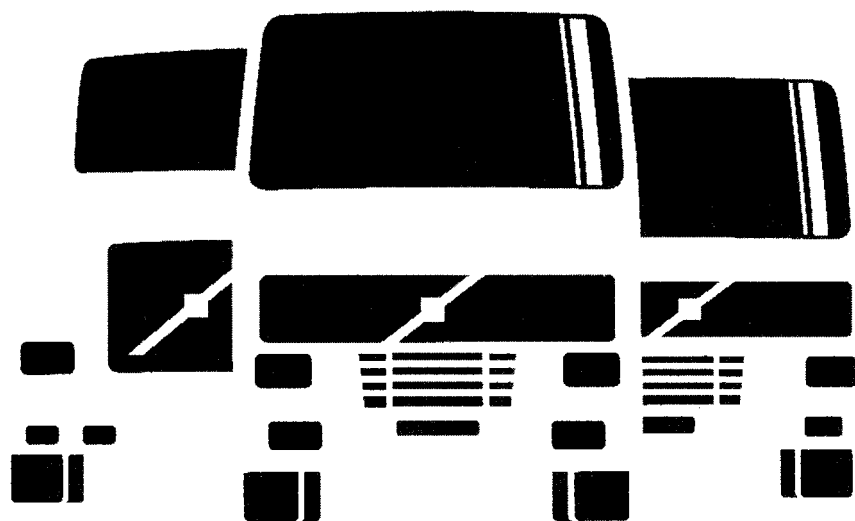
Service Manual Trucks

Group **37**

Electrical Schematic:
Fog and Driving Lamps

VN

From Build Date 5.99



BATTERY 12 VOLT
IGNITION 12 VOLT
ACCESSORY 12 VOLT

FUSE 19
15A
NOTE: WAS FUSE 22
BEFORE 11/99

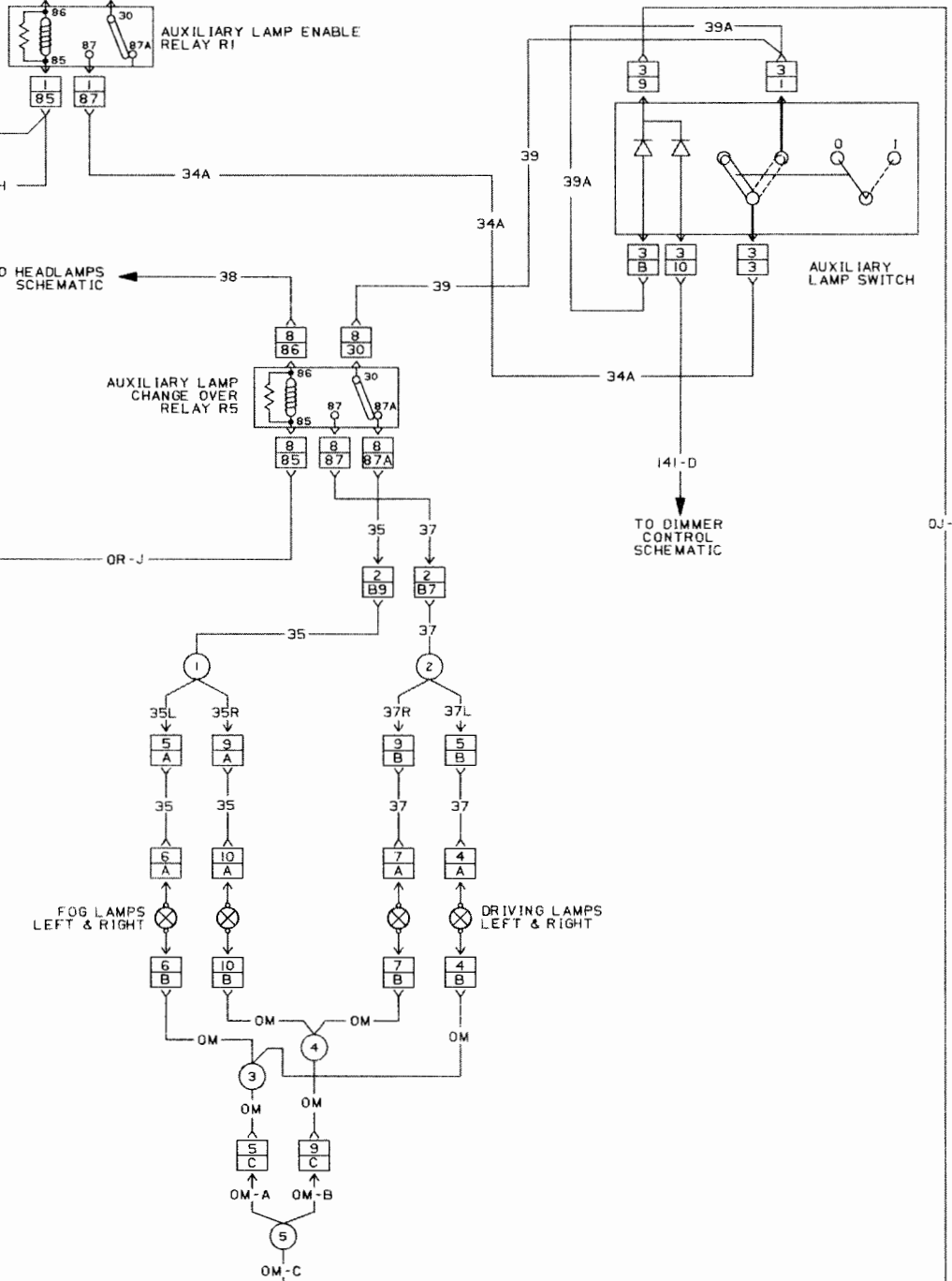
TO DIMMER
CONTROL
SCHEMATIC

TO INTERIOR
CAB LAMPS
SCHEMATIC
OR-F
TO STOP LAMP
SCHEMATIC
OR-H

TO HEADLAMPS
SCHEMATIC

TO STOP LAMPS
SCHEMATIC
OR-J

TO DIMMER
CONTROL
SCHEMATIC
I41-D



0J-6

Fog & Driving Lamps - VN

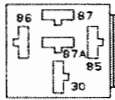
RHS GROUND
STUD *10 ENGINE SIDE

SPLICE PACK C

CHANGE HISTORY

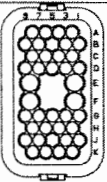
EFFECTIVE DATE	DESCRIPTION
11/99	FUSE CHANGE

CONNECTOR AND SPLICE INFORMATION
CONNECTORS VIEWED FROM CABLE ENTRY



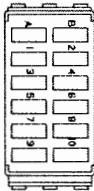
CONNECTOR 1
AUX LAMP ENABLE RELAY R1

TABLE OF CONTENTS		
CAVITY	CIRCUIT	FUNCTION
30	34	12 VOLT SUPPLY
86	140A	DIMMER CONTROL
87	34A	SUPPLY LAMP SWITCH
85	0R-F/0R-HI	GROUND



CONNECTOR 2
CHASSIS HARNESS PASS THROUGH

TABLE OF CONTENTS		
CAVITY	CIRCUIT	FUNCTION
87	37	DRIVING LP SUPPLY
89	35	FOG LAMP SUPPLY



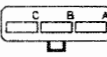
CONNECTOR 3
SWITCH AUXILIARY LAMPS

TABLE OF CONTENTS		
CAVITY	CIRCUIT	FUNCTION
B	39A	LED SUPPLY
R	39/39A	TO CHANGE OVER RELAY
3	34A	12 VOLT SUPPLY
S	0J-G	GROUND
10	141-D	DASH ILLUMINATION



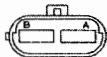
CONNECTOR 4
DRIVING LAMP RIGHT SIDE

TABLE OF CONTENTS		
CAVITY	CIRCUIT	FUNCTION
A	37	12 VOLT SUPPLY
B	0M	GROUND



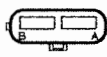
CONNECTOR 5
DRIVING/FOG LAMP LEFT SIDE

TABLE OF CONTENTS		
CAVITY	CIRCUIT	FUNCTION
A	35L	12 VOLT SUPPLY
B	37L	12 VOLT SUPPLY
C	0M	GROUND



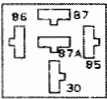
CONNECTOR 6
FOG LAMP LEFT SIDE

TABLE OF CONTENTS		
CAVITY	CIRCUIT	FUNCTION
A	35	12 VOLT SUPPLY
B	0M	GROUND



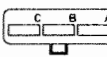
CONNECTOR 7
DRIVING LAMP LEFT SIDE

TABLE OF CONTENTS		
CAVITY	CIRCUIT	FUNCTION
A	37	12 VOLT SUPPLY
B	0M	GROUND



CONNECTOR 8
AUX LAMP CHANGE OVER RELAY R6

TABLE OF CONTENTS		
CAVITY	CIRCUIT	FUNCTION
30	35	12 VOLT SUPPLY
86	36	DIMMER CONTROL
87	37	12 VOLT SUPPLY
85	0R-J	GROUND
87A	35	12 VOLT SUPPLY



CONNECTOR 9
DRIVING/FOG LAMP RIGHT SIDE

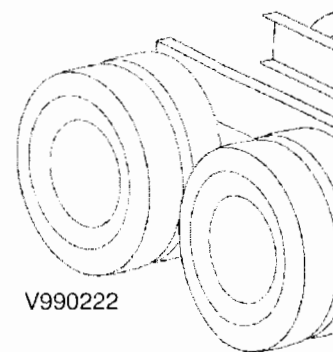
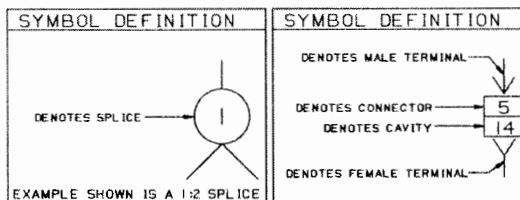
TABLE OF CONTENTS		
CAVITY	CIRCUIT	FUNCTION
A	36R	12 VOLT SUPPLY
B	37R	12 VOLT SUPPLY
C	0M	GROUND



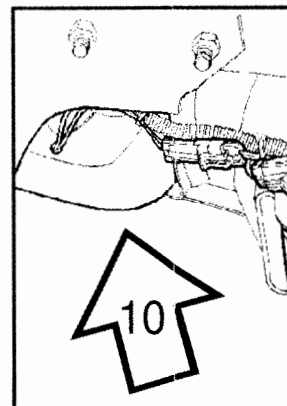
CONNECTOR 10
FOG LAMP RIGHT SIDE

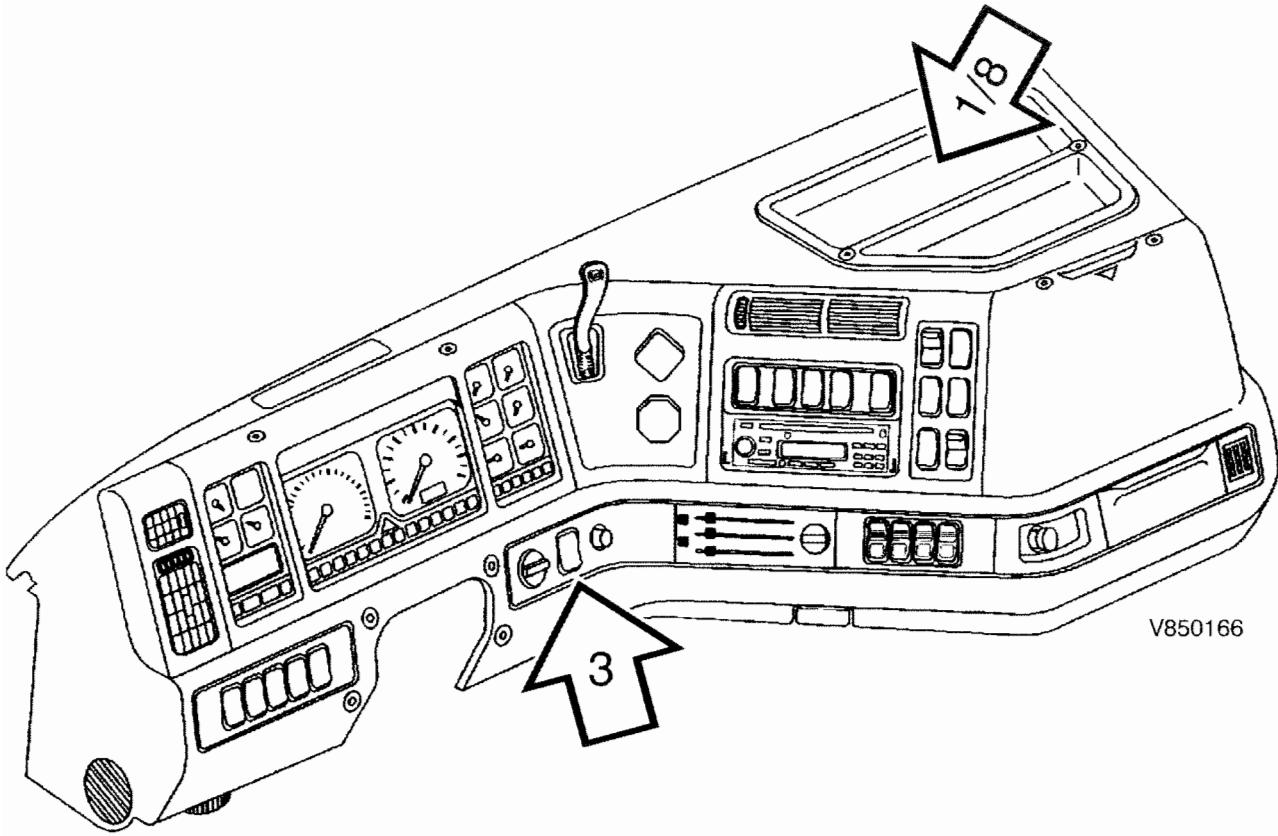
TABLE OF CONTENTS		
CAVITY	CIRCUIT	FUNCTION
A	35	12 VOLT SUPPLY
B	0M	GROUND

SPLICE LOCATION CHART		
SPLICE	HARNESS	LOCATION
1	CHASSIS	185MM FROM JERICHO HORN BREAKOUT
2	CHASSIS	135MM FROM JERICHO HORN BREAKOUT
3	FOG/DRIVING LAMP	LH HARN. 235MM FROM DRV LAMP CONN.
4	FOG/DRIVING LAMP	RH HARN. 235MM FROM DRV LAMP CONN.
5	CHASSIS	85MM FROM JERICHO HORN BREAKOUT

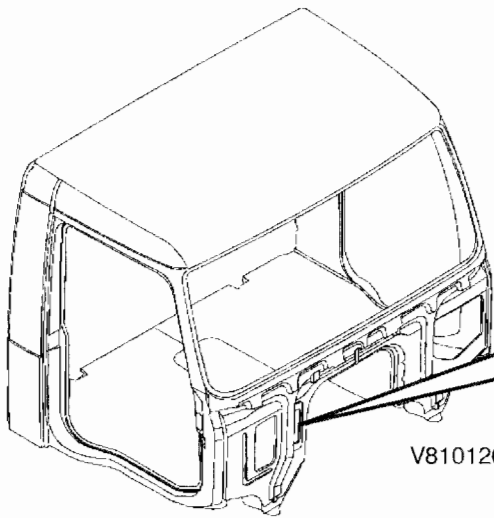


V990222

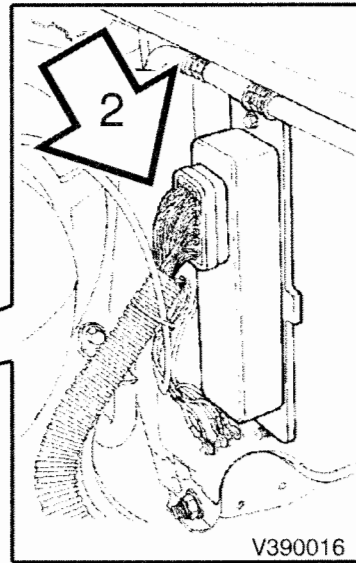




V850166



V810126



V390016