

Service Manual Trucks

Group 37

Electrical Schematic:
Back-up Lamps with Alarm

VN

From Build Date 8.99

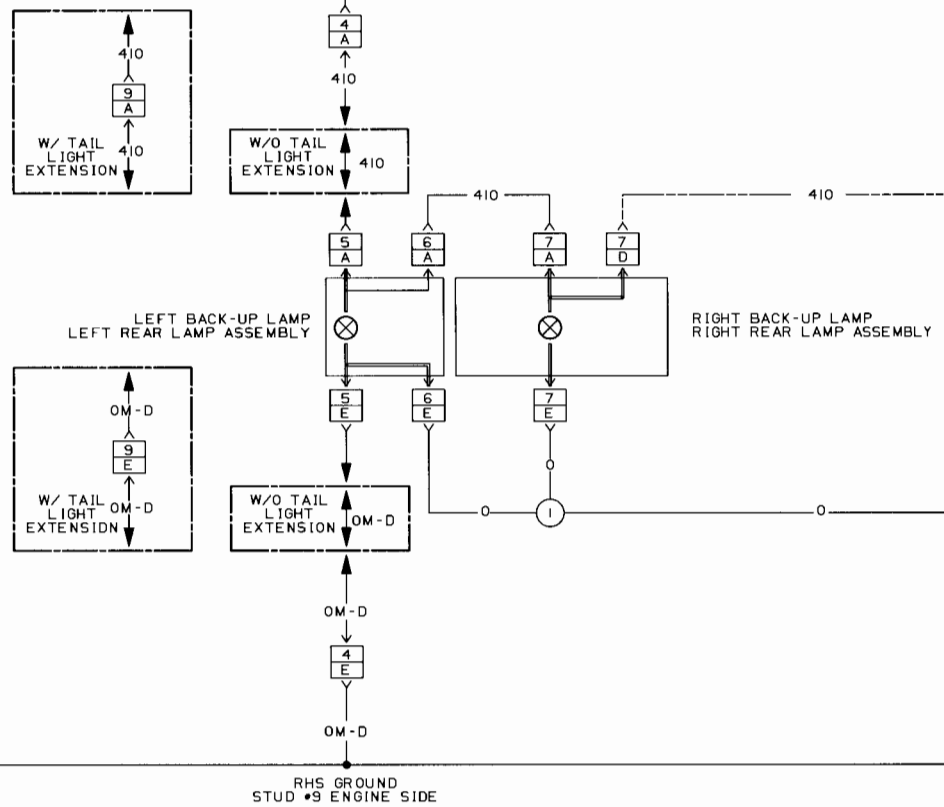
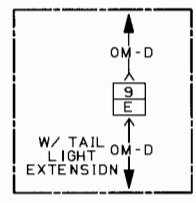
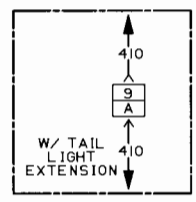


BATTERY 12 VOLT
 IGNITION 12 VOLT
 ACCESSORY 12 VOLT

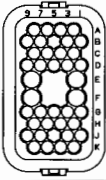
GROUND

RHS GROUND
 STUD #9 ENGINE SIDE

Back-up Lamps with Alarm - VN

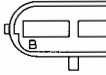


CONNECTOR AND SPLICE INFORMATION
CONNECTORS VIEWED FROM CABLE ENTRY



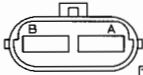
CONNECTOR 1
CHASSIS HARNESS PASS THROUGH

TABLE OF CONTENTS		
CAVITY	CIRCUIT	FUNCTION
B3	411	BACKUP LAMP



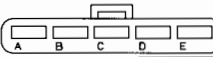
CONNECTOR 2
CHASSIS HARNESS TO JUMPER

TABLE OF CONTENTS		
CAVITY	CIRCUIT	FUNCTION
A	410	TO BACKUP LAMP
B	411	12 VOLT SUPPLY



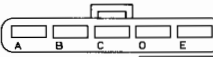
CONNECTOR 3
BACK-UP LAMP SWITCH

TABLE OF CONTENTS		
CAVITY	CIRCUIT	FUNCTION
A	410	TO BACKUP LAMP
B	411	12 VOLT SUPPLY



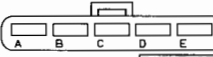
CONNECTOR 4
CHASSIS TO CHASSIS EXTENSION

TABLE OF CONTENTS		
CAVITY	CIRCUIT	FUNCTION
A	410	TO BACKUP LAMP
E	OM-D	GROUND



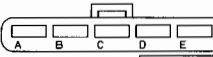
CONNECTOR 5
CHASSIS TO LEFT BACK-UP LAMP

TABLE OF CONTENTS		
CAVITY	CIRCUIT	FUNCTION
A	410	BACKUP LAMP LEFT
E	OM-D	GROUND



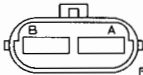
CONNECTOR 6
LEFT BACK-UP LAMP

TABLE OF CONTENTS		
CAVITY	CIRCUIT	FUNCTION
A	410	BACKUP LAMP LEFT
E	0	GROUND



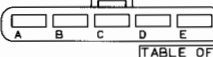
CONNECTOR 7
RIGHT BACK-UP LAMP

TABLE OF CONTENTS		
CAVITY	CIRCUIT	FUNCTION
A	410	BACKUP LAMP RIGHT
D	410	BACK UP ALARM FEED
E	0	GROUND



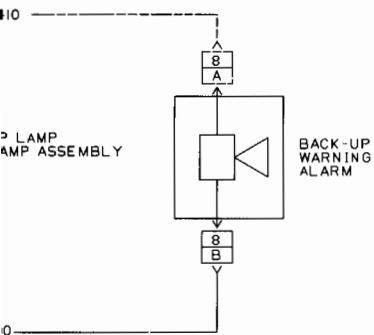
CONNECTOR 8
BACK-UP ALARM

TABLE OF CONTENTS		
CAVITY	CIRCUIT	FUNCTION
A	410	BACKUP LAMP RIGHT
B	0	GROUND



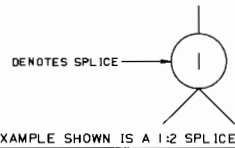
CONNECTOR 9
TAIL LIGHT EXTENTION

TABLE OF CONTENTS		
CAVITY	CIRCUIT	FUNCTION
A	410	BACKUP LAMP RIGHT
E	OM-D	GROUND

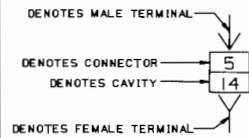


BACK-UP ALARM

SYMBOL DEFINITION

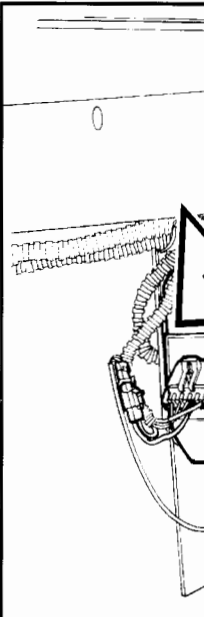


SYMBOL DEFINITION



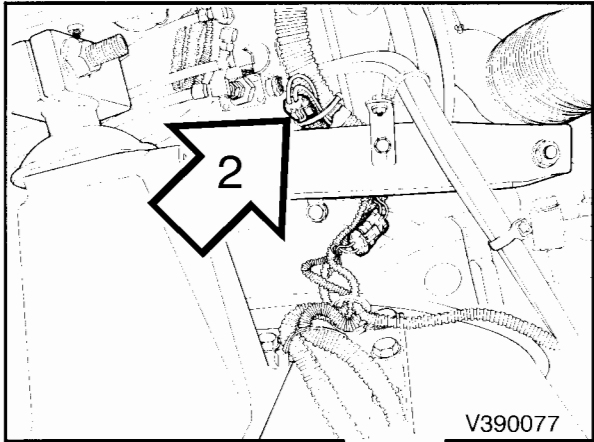
SPLICE LOCATION CHART		
SPLICE	HARNESS	LOCATION
I	TAIL LAMP	TAIL LAMP JUMPER HARNESS

CHANGE	
EFFECTIVE DATE	DESCRIPTION

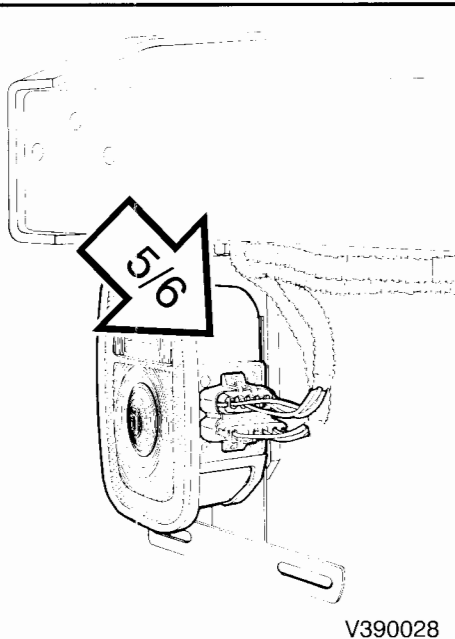


CHANGE HISTORY

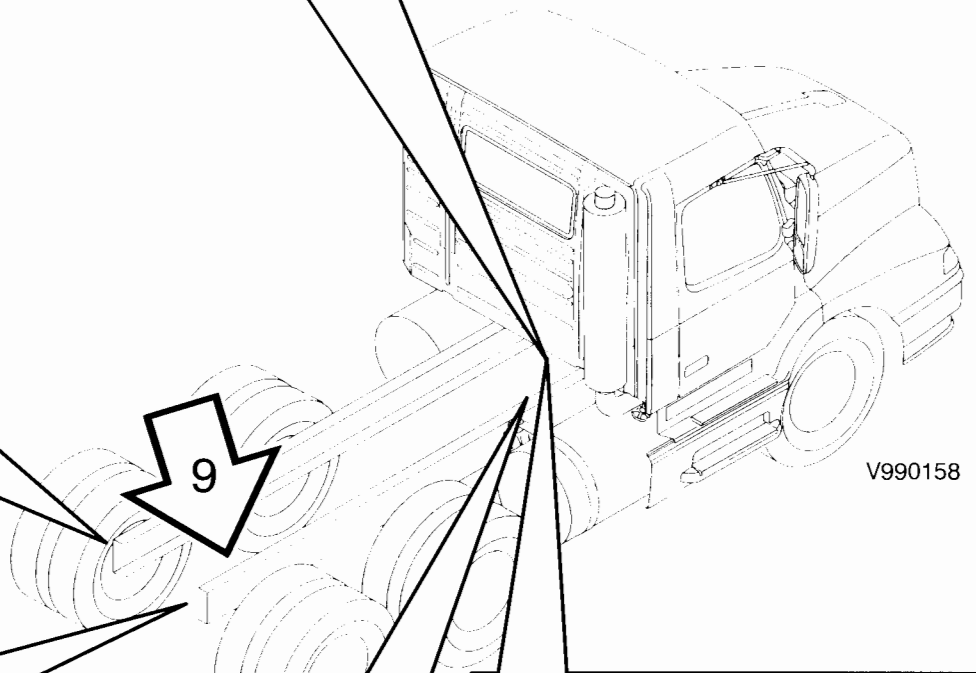
DESCRIPTION



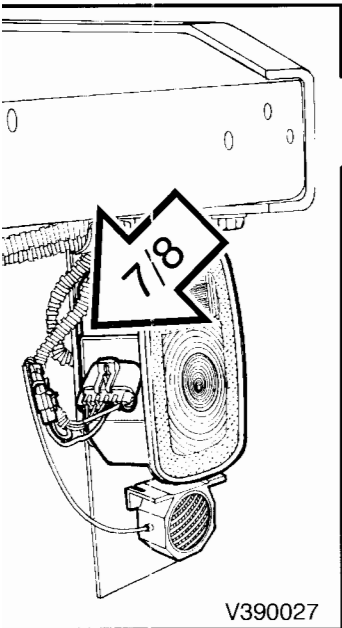
V390077



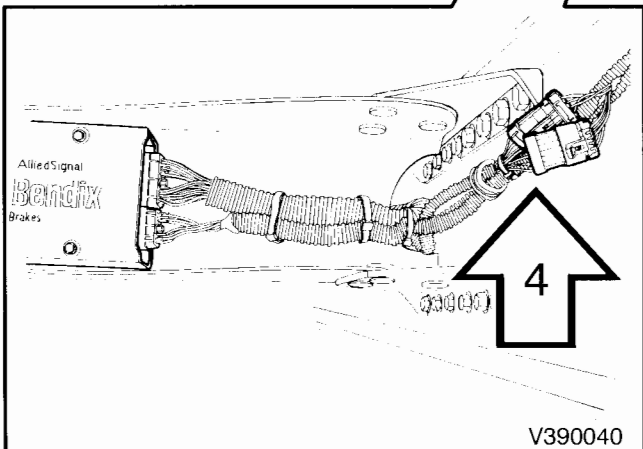
V390028



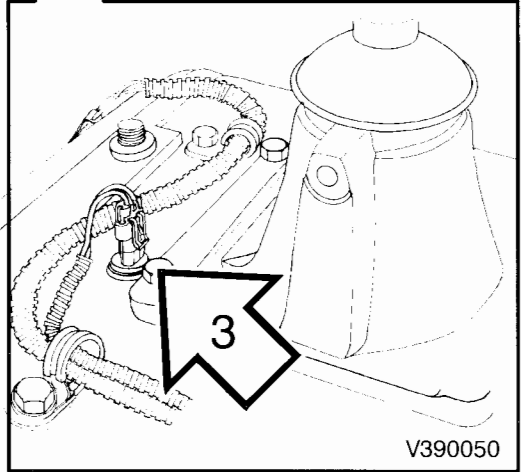
V990158



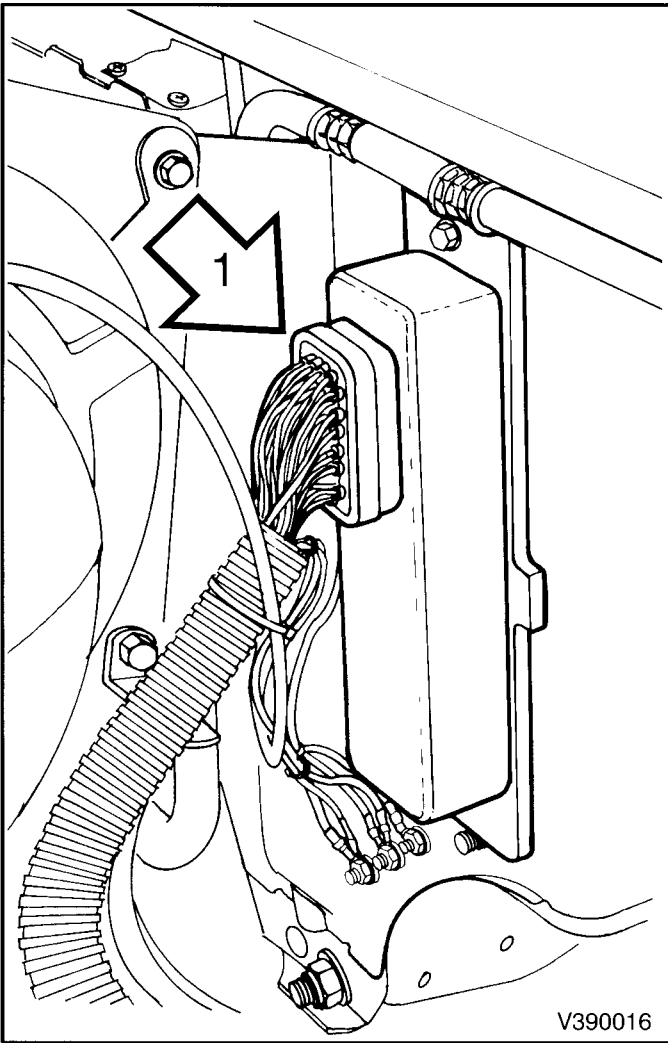
V390027



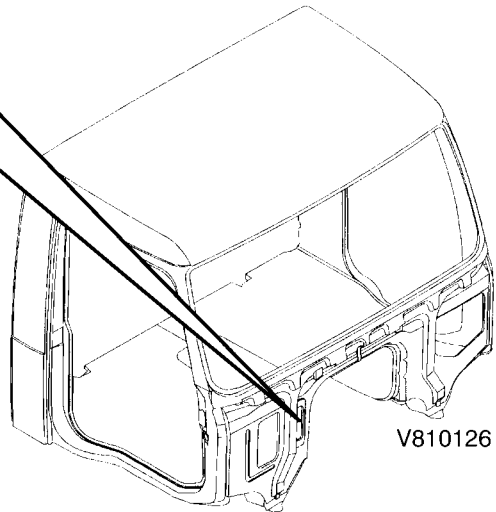
V390040



V390050



V390016



V810126