
Service Manual Trucks

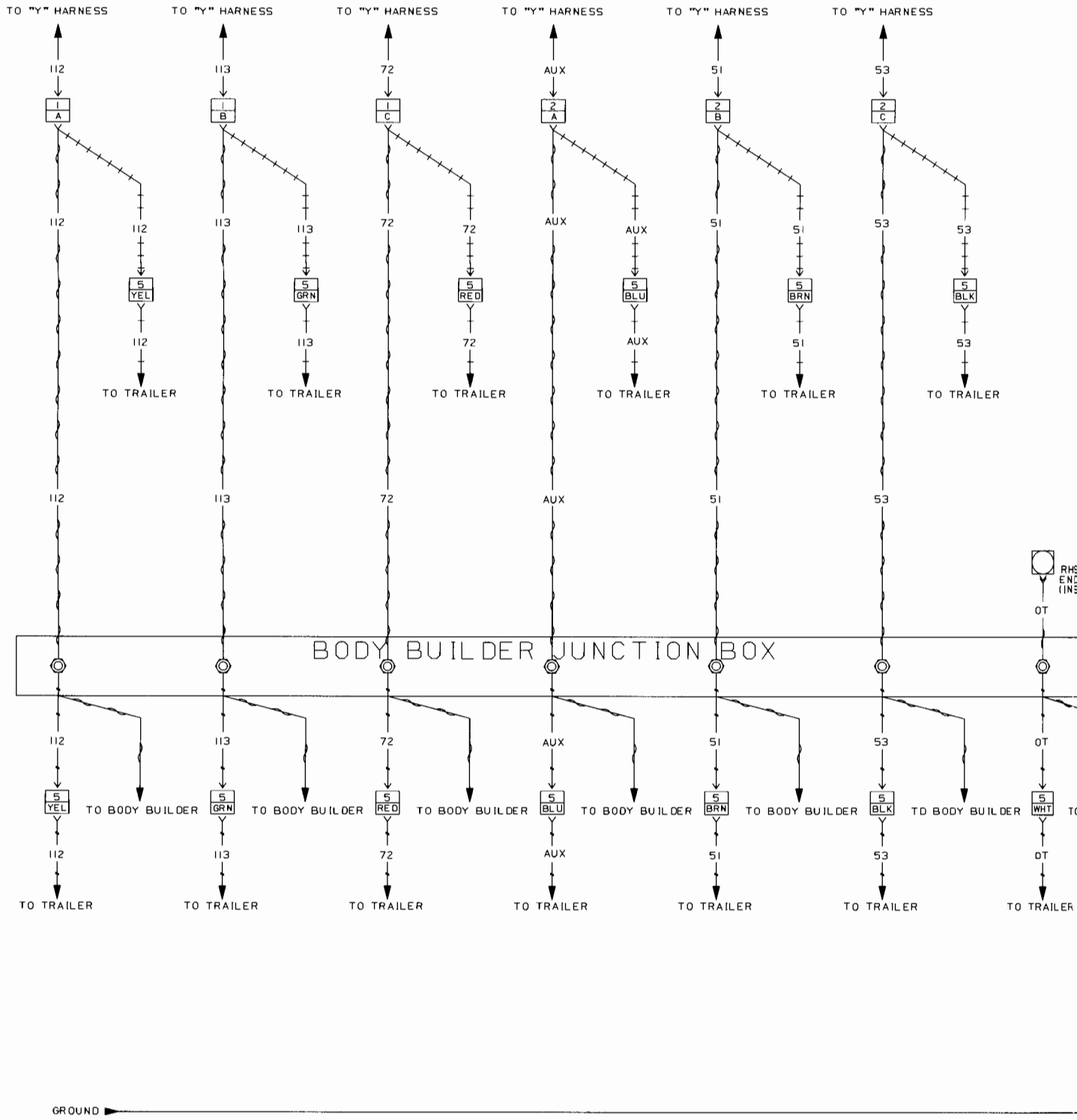
Group **37**

Electrical Schematic:
Trailer Cable and Receptacle

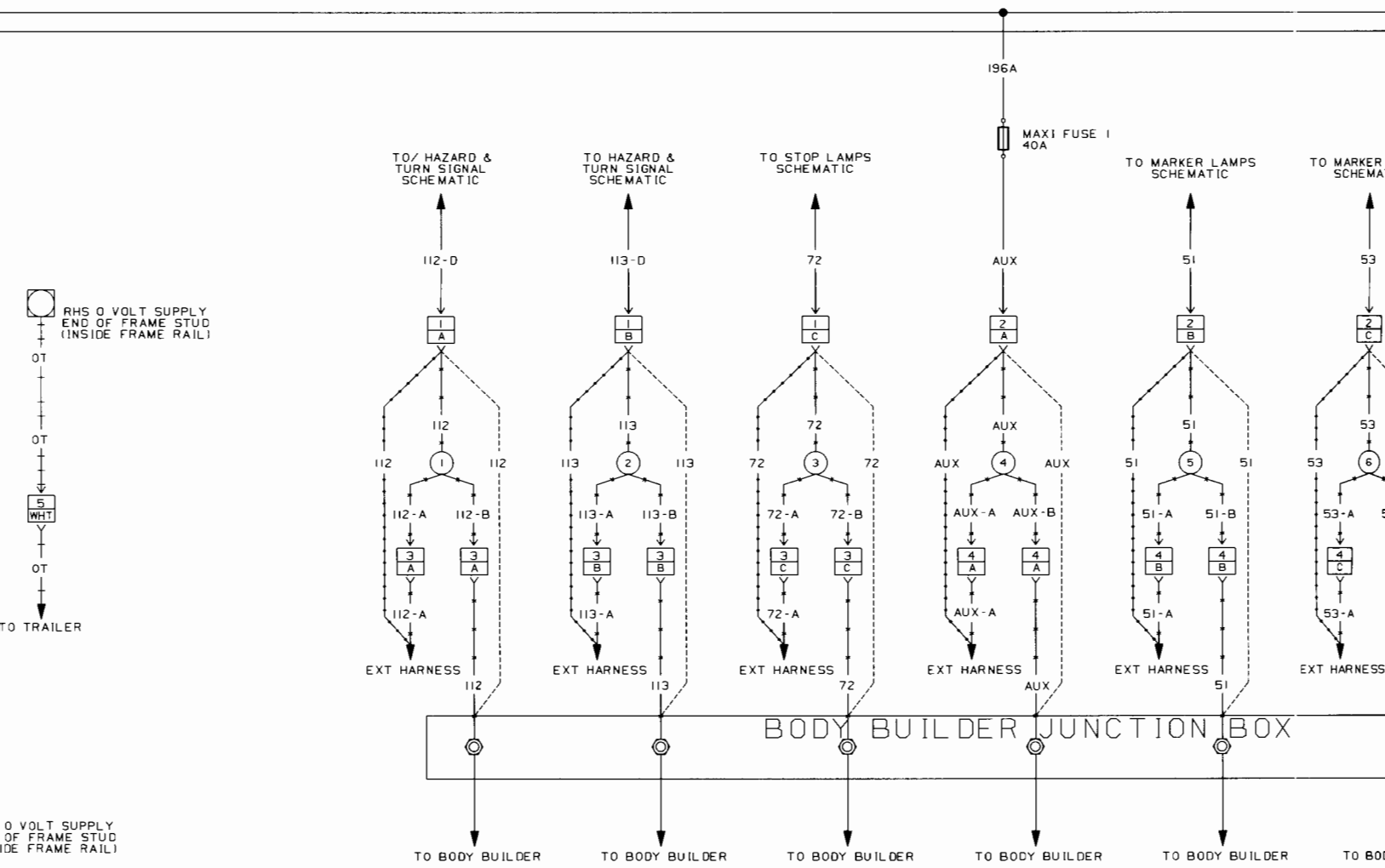
VN

From Build Date 5.99

BATTERY 12 VOLT
 IGNITION 12 VOLT
 ACCESSORY 12 VOLT



Trailer Cable and Receptacle - VN



RHS 0 VOLT SUPPLY
 END OF FRAME STUD
 (INSIDE FRAME RAIL)

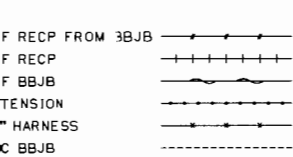
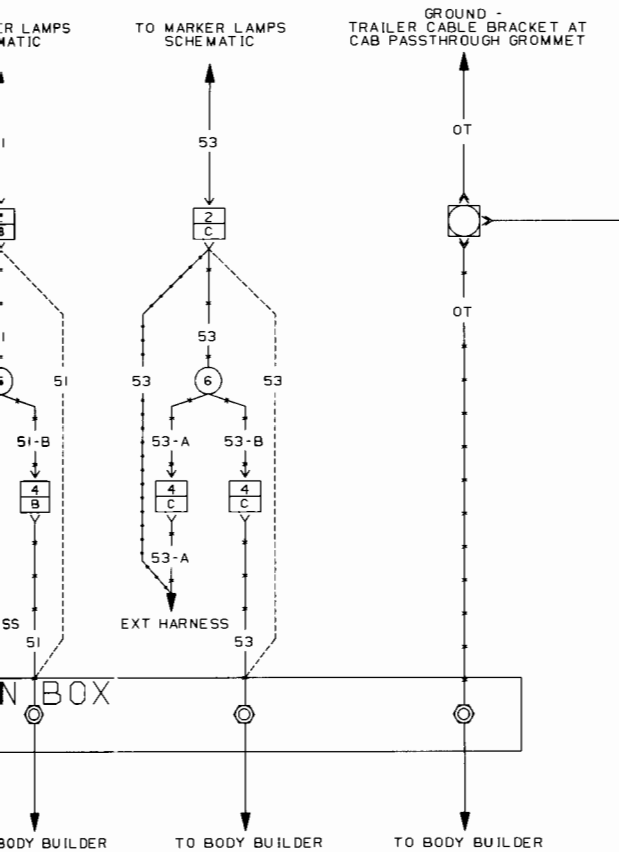
TO TRAILER

0 VOLT SUPPLY
 OF FRAME STUD
 (INSIDE FRAME RAIL)

BODY BUILDER

- EOF RECP FROM 3BJB
- EOF RECP
- EOF BBJB
- EXTENSION
- "Y" HARNESS
- BOC BBJB

SPLICE	HARNESS	LOCATION
1	UNDER C/B Y	MA
2	UNDER C/B Y	MA
3	UNDER C/B Y	MA
4	UNDER C/B Y	MA
5	UNDER C/B Y	MA
6	UNDER C/B Y	MA



SPLICE	HARNESS	LOCATION
	UNDER C/B Y	MAIN TRUNK
	UNDER C/B Y	MAIN TRUNK
	UNDER C/B Y	MAIN TRUNK
	UNDER C/B Y	MAIN TRUNK
	UNDER C/B Y	MAIN TRUNK
	UNDER C/B Y	MAIN TRUNK

LHS
STUD #21 INTERIOR SIDE

CONNECTOR AND SPLICE INFORMATION
CONNECTORS VIEWED FROM CABLE ENTRY

CONNECTOR 1
CAB HARNESS TO TRAILER
CABLE EXTENSION

CAVITY	CIRCUIT	FUNCTION
A	112-D	LH TURN SIGNAL
B	113-D	RH TURN SIGNAL
C	72	TRAILER STOP

CONNECTOR 2
CAB HARNESS TO TRAILER
CABLE EXTENSION

CAVITY	CIRCUIT	FUNCTION
A	AUX	AUXILIARY
B	51	TRAILER MARKER & TAIL LPS
C	53	ICC TRAILER MARKER

CONNECTOR 3
TRAILER CABLE EXTENSION TO
TRAILER CABLE RECEPTACLE

CAVITY	CIRCUIT	FUNCTION
A	112	LH TURN SIGNAL
B	113	RH TURN SIGNAL
C	72	TRAILER STOP

CONNECTOR 4
TRAILER CABLE EXTENSION TO
TRAILER CABLE RECEPTACLE

CAVITY	CIRCUIT	FUNCTION
A	AUX	AUXILIARY
B	51	TRAILER MARKER & TAIL LPS
C	53	ICC TRAILER MARKER

CONNECTOR 5
TRAILER CABLE RECEPTACLE TO
TRAILER CABLE

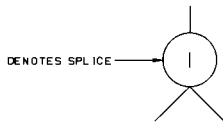
CAVITY	CIRCUIT	FUNCTION
YELLOW	112	LH TURN SIGNAL
GREEN	113	RH TURN SIGNAL
RED	72	TRAILER STOP
BLUE	AUX	AUXILIARY
BROWN	51	TRAILER MARKER & TAIL LPS
BLACK	53	ICC TRAILER MARKER
WHITE	0T	0 VOLT SUPPLY

EFFECTIVE DATE	DESC

CHANGE HISTORY

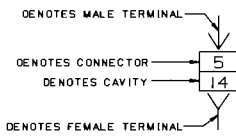
EFFECTIVE DATE	DESCRIPTION

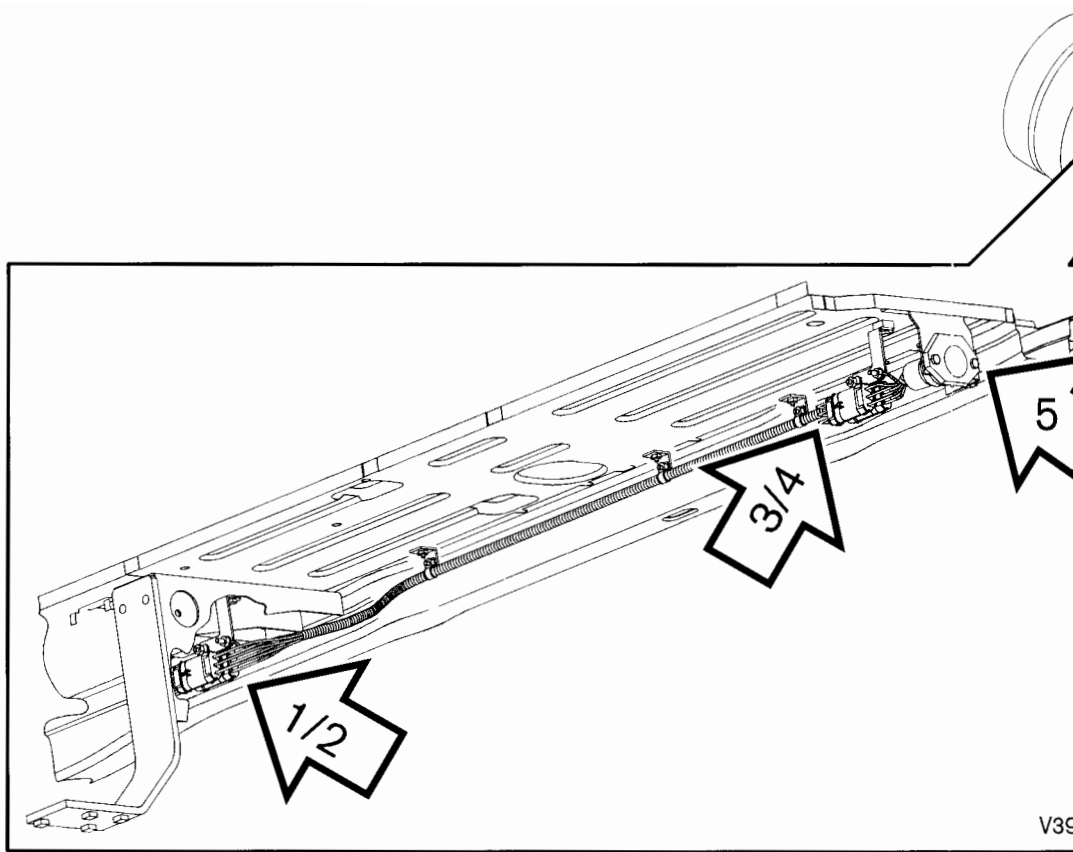
SYMBOL DEFINITION

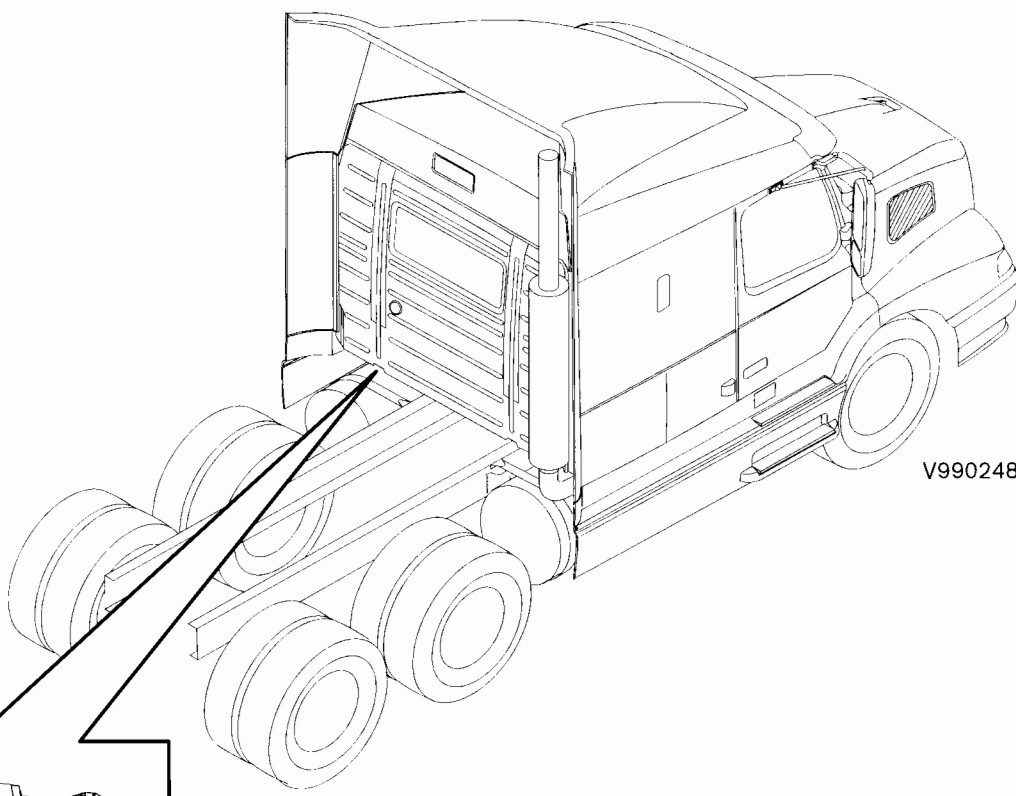


EXAMPLE SHOWN IS A 1-2 SPLICE

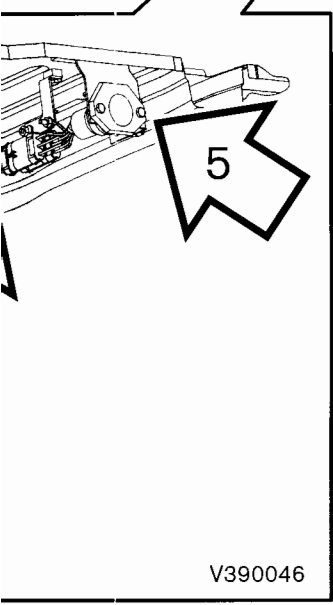
SYMBOL DEFINITION







V990248



V390046