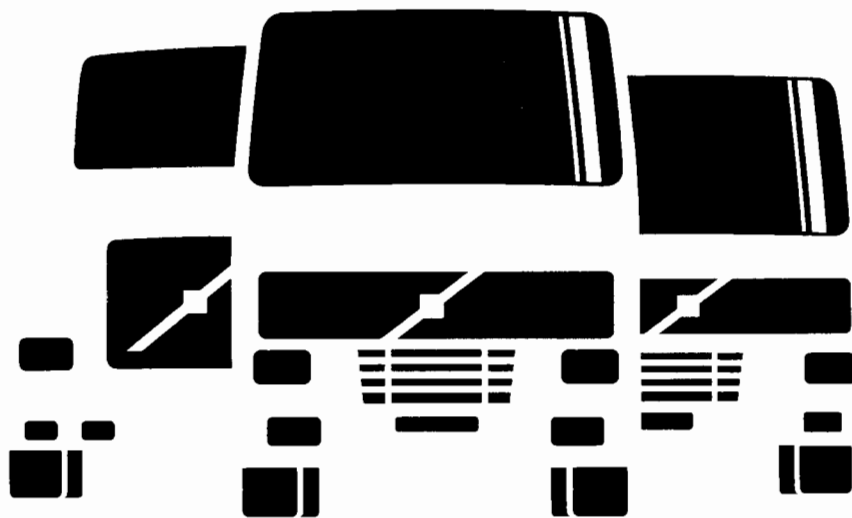
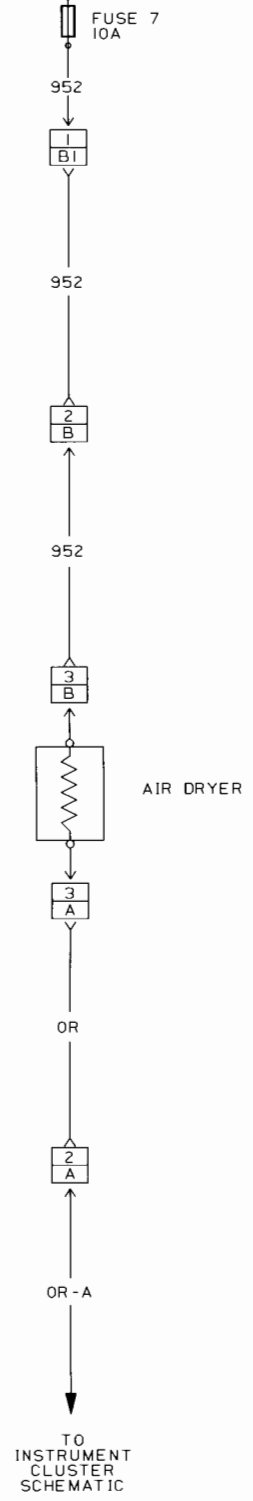


Service Manual Trucks

Group **37**
Electrical Schematic:
Air Dryer
VN
From Build Date 5.99

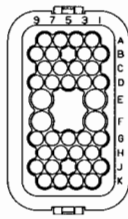


BATTERY 12 VOLT
IGNITION 12 VOLT
ACCESSORY 12 VOLT



Air Dryer - VN

CONNECTOR AND SPLICE INFORMATION
CONNECTORS VIEWED FROM CABLE ENTRY



CONNECTOR 1
CHASSIS HARNESS PASS THROUGH

TABLE OF CONTENTS		
CAVITY	CIRCUIT	FUNCTION
B1	952	12 VOLT SUPPLY

LOCATION : COWL RIGHT HAND SIDE



CONNECTOR 2
CHASSIS HARNESS TO AIR DRYER

TABLE OF CONTENTS		
CAVITY	CIRCUIT	FUNCTION
A	OR-A	GROUND
B	952	12 VOLT SUPPLY

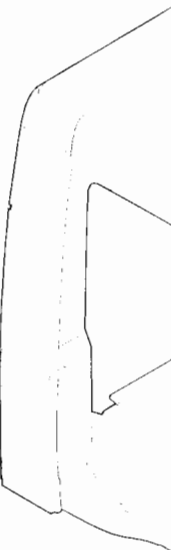
LOCATION : AIR DRYER HARNESS BREAKOUT



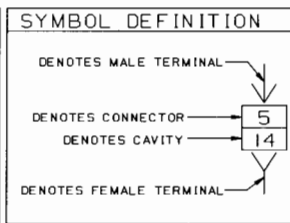
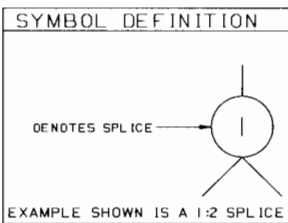
CONNECTOR 3
AIR DRYER

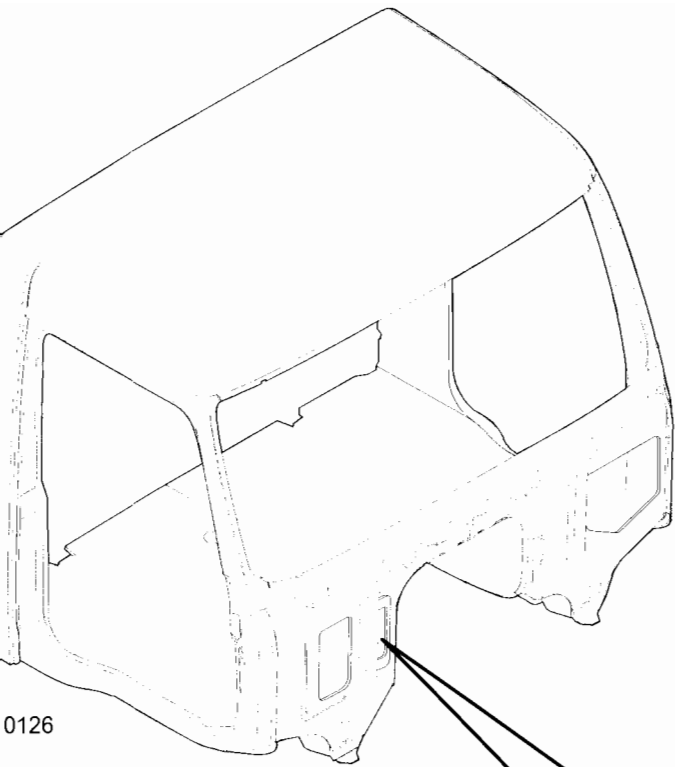
TABLE OF CONTENTS		
CAVITY	CIRCUIT	FUNCTION
A	OR	GROUND
B	952	12 VOLT SUPPLY

LOCATION : FRAME RAIL RIGHT HAND SIDE

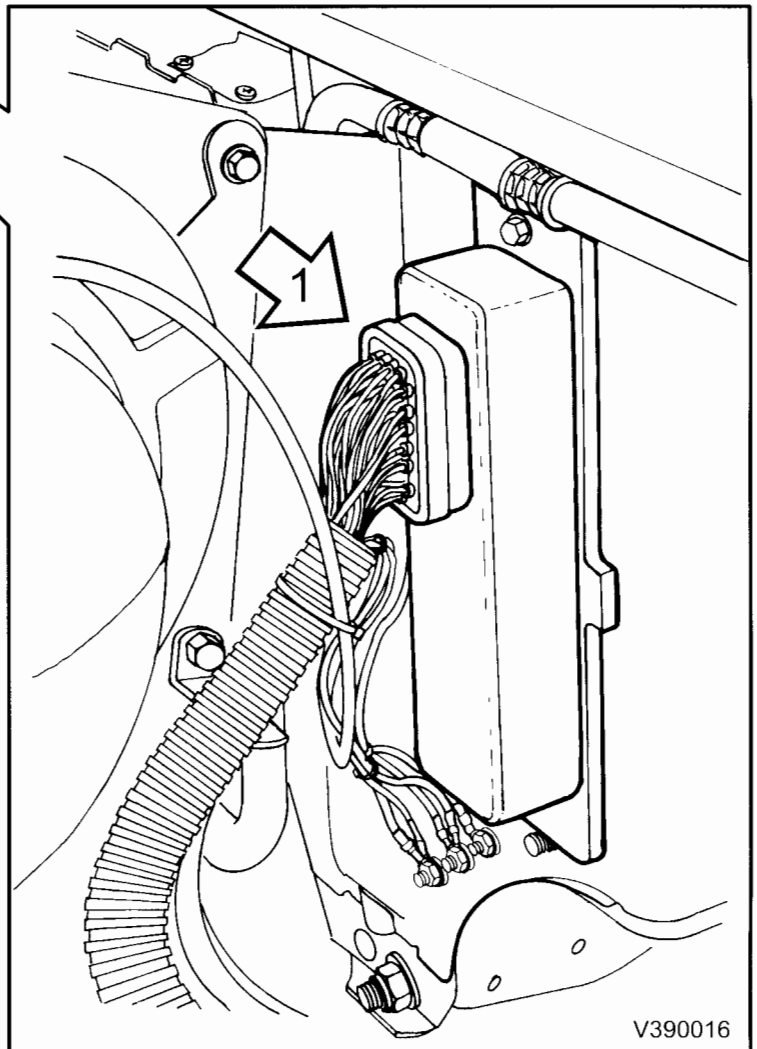


V810126

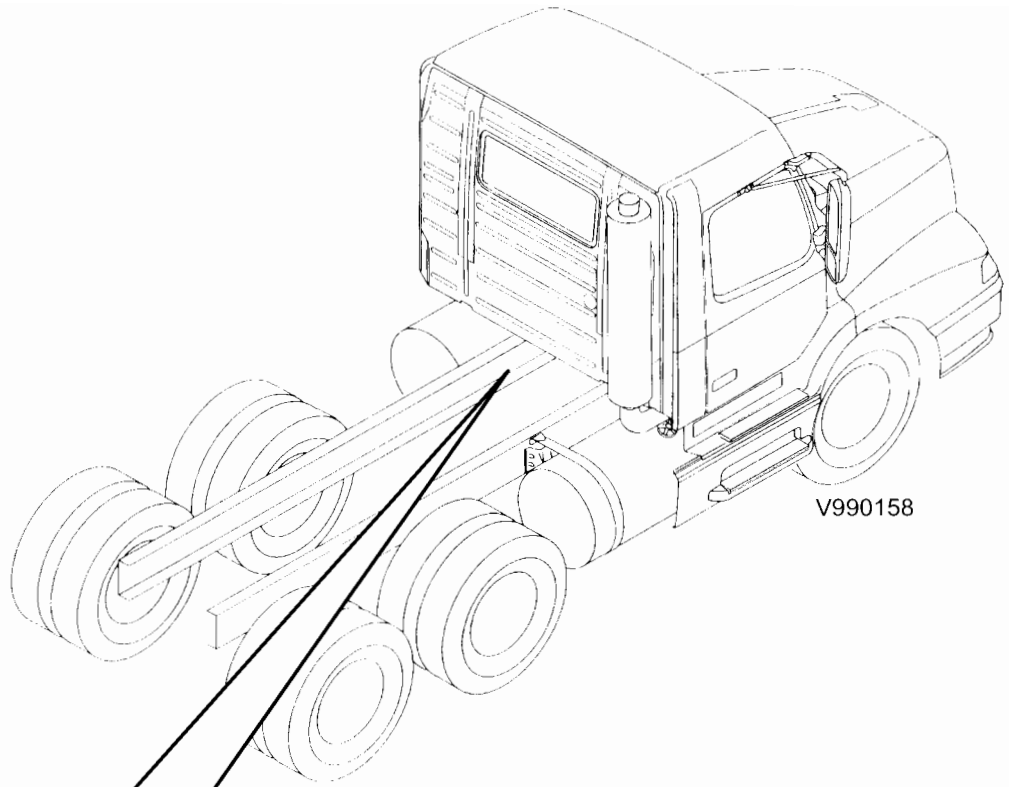




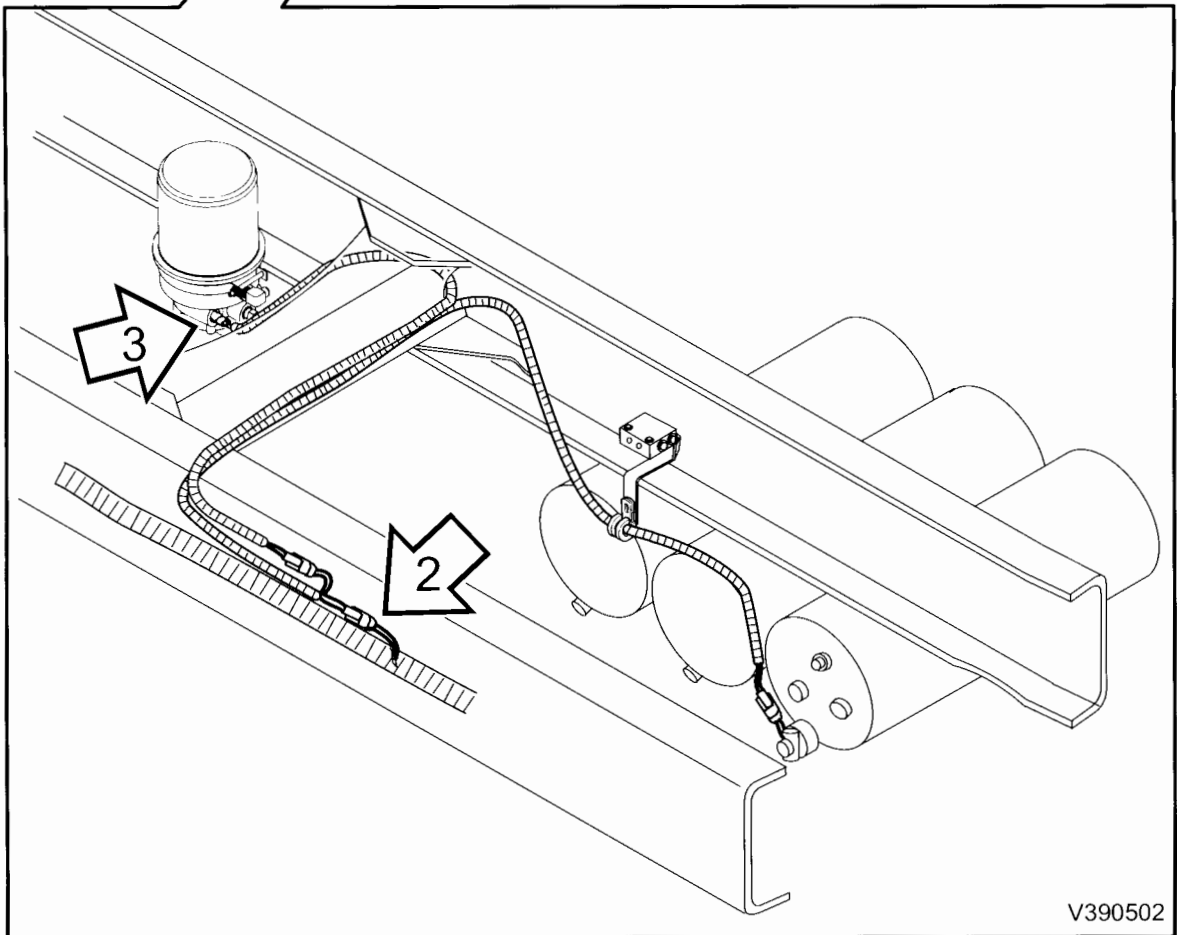
0126



V390016



V990158



V390502