

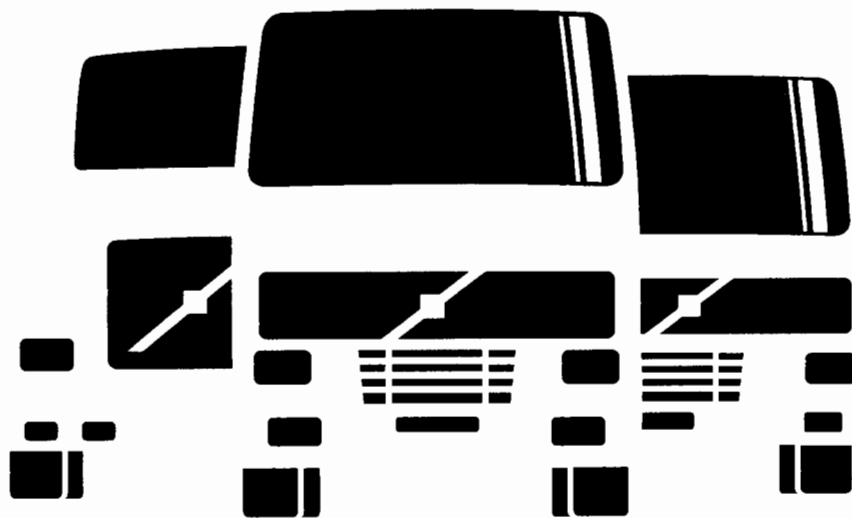
Service Manual Trucks

Group **37**

Electrical Schematic:
Bendix Anti-lock Brake System (ABS)

VN

From Build Date 5.99



BREAKOUT
BREAKOUT
BREAKOUT

STIC
ATIC

407-K

407-K

TO
ATED
ROR
MATIC

K

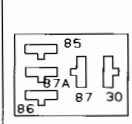
K

TO
RADIO
SCHEMATIC

TO
DIMMER
CONTROL
SCHEMATIC

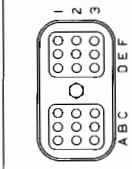
TO
INSTRUMENT
CLUSTER
SCHEMATIC

CONNECTOR AND SPLICE INFORMATION
CONNECTORS VIEWED FROM CABLE ENTRY



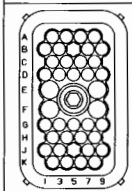
**CONNECTOR 1
ABS WARNING LAMP RELAY R9**

CAVITY	CIRCUIT	FUNCTION
86	196D-A	12 VOLT SUPPLY
87A	779	WARNING LAMP
85	778	WARNING LAMP ENABLE
30	DR-E	RELAY GROUND



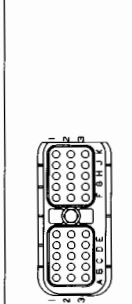
**CONNECTOR 2
BENDIX ABS ECU**

CAVITY	CIRCUIT	FUNCTION
A1	761	RR MODULATOR COMM
B1	760	RR MODULATOR HOLD
B2	755	RR2 SENSOR SIGNAL
B3	756	RR2 SENSOR RETURN
C1	759	RR MODULATOR EXHAUST
C2	735	LR2 SENSOR SIGNAL
C3	736	LR2 SENSOR RETURN
D1	739	LR MODULATOR EXHAUST
D2	780	SOLENOID SOURCE
D3	781	SOLENOID GROUND
E1	740	LR MODULATOR HOLD
E2	757	RR SENSOR SIGNAL
E3	758	RR SENSOR RETURN
F1	741	LR MODULATOR COMM
F2	737	LR SENSOR SIGNAL
F3	738	LR SENSOR RETURN



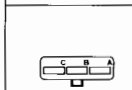
**CONNECTOR 3
CHASSIS HARNESS PASSTHROUGH**

CAVITY	CIRCUIT	FUNCTION
D1	772-A	ENGINE BRAKE DISABLE FROM ECU
D3	773	TRACTION CONTROL ENABLE
D5	774	TRACTION CONTROL LAMP
D7	778	WARNING LAMP ENABLE
E1	777	12 VOLT SUPPLY
H6	779A	TRAILER ABS WARNING



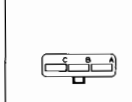
**CONNECTOR 4
BENDIX ABS ECU**

CAVITY	CIRCUIT	FUNCTION
A1	ABS-A	ABS GROUND
A2	ABS-B	ABS GROUND
A3	ABS-C	ABS GROUND
B1	777-A	12 VOLT SUPPLY
C1	754	RF MODULATOR COMM
C2	774	TRACTION CONTROL LAMP
C3	406-K	DATA LINK HIGH SAE J1939
D1	753	RF MODULATOR HOLD
D3	407-K	DATA LINK LOW SAE J1939
E1	752	RF MODULATOR EXHAUST
E2	779A	TRAILER ABS WARNING
E3	778	ABS WARNING LAMP ENABLE
F1	732	LF MODULATOR EXHAUST
F2	773	TRACTION CONTROL ENABLE
G1	733	LF MODULATOR HOLD
G2	400	POS DATA LINK SAE J1708
G3	401	NEG DATA LINK SAE J1708
H1	734	LF MODULATOR COMM
H2	750	RF SENSOR SIGNAL
H3	751	RF SENSOR RETURN
J1	730	LF SENSOR SIGNAL
J2	731	LF SENSOR RETURN
J3	ABS-D	ABS GROUND
K1	772	ENGINE BRAKE DISABLE
K2	777-B	12 VOLT SUPPLY
K3	777-C	12 VOLT SUPPLY



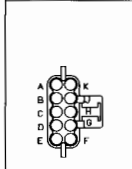
**CONNECTOR 5
R.H. ABS MODULATOR-FRONT**

CAVITY	CIRCUIT	FUNCTION
A	752	RF MODULATOR EXHAUST
B	754	RF MODULATOR COMM
C	753	RF MODULATOR HOLD



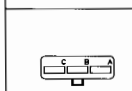
**CONNECTOR 6
L.H. ABS MODULATOR-FRONT**

CAVITY	CIRCUIT	FUNCTION
A	732	LF MODULATOR EXHAUST
B	734	LF MODULATOR COMM
C	733	LF MODULATOR HOLD



**CONNECTOR 7
CHASSIS EXTENSION HARNESS**

CAVITY	CIRCUIT	FUNCTION
A	759	RR MODULATOR EXHAUST
B	760	RR MODULATOR HOLD
C	761	RR MODULATOR COMM
D	737	LR SENSOR SIGNAL
E	738	LR SENSOR RETURN
F	739	LR MODULATOR EXHAUST
G	740	LR MODULATOR HOLD
H	741	LR MODULATOR COMM
J	757	RR SENSOR SIGNAL
K	758	RR SENSOR RETURN



**CONNECTOR 8
L.H. ABS MODULATOR-REAR**

CAVITY	CIRCUIT	FUNCTION
A	739	LR MODULATOR EXHAUST
B	741	LR MODULATOR COMM
C	740	LR MODULATOR HOLD

**CONNECTOR 9
R.H. ABS MODULATOR-REAR**

CAVITY	CIRCUIT	FUNCTION
A	759	RR MODULATOR EXHAUST
B	761	RR MODULATOR COMM
C	760	RR MODULATOR HOLD

**CONNECTOR 10
WHEEL SENSOR JUMPER 4-PLACES**

CAVITY	CIRCUIT	FUNCTION
--	----	POLARITY NOT REQ'D

**CONNECTOR 11
TRACTION CONTROL**

CAVITY	CIRCUIT	FUNCTION
B	196D-B	12 VOLT SUPPLY
C	773	TRACTION CONTROL ENABLE

**CONNECTOR 12
TRACTION CONTROL SWITCH**

CAVITY	CIRCUIT	FUNCTION
3	196D	12 VOLT SUPPLY
7	773	TRACTION CONTROL ENABLE
9	OJ-K	LED GROUND
10	141	ILLUMINATION

**CONNECTOR 13
TRACTION CONTROL**

CAVITY	CIRCUIT	FUNCTION
A	141R/141-BC	ILLUMINATION
B	OJ-K	LED GROUND

**CONNECTOR 14
CHASSIS EXTENSION HARNESS**

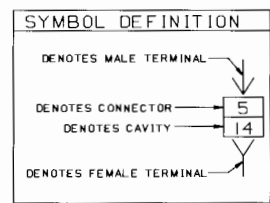
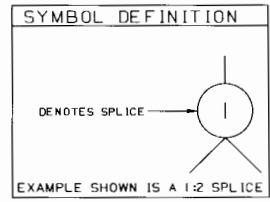
CAVITY	CIRCUIT	FUNCTION
A	780	SOLENOID SOURCE
B	781	SOLENOID GROUND
C	735	LR2 SENSOR SIGNAL
D	736	LR2 SENSOR RETURN
F	755	BR2 SENSOR SIGNAL
G	756	BR2 SENSOR RETURN

**CONNECTOR 15
WHEEL SENSOR JUMPER 6-PLACES**

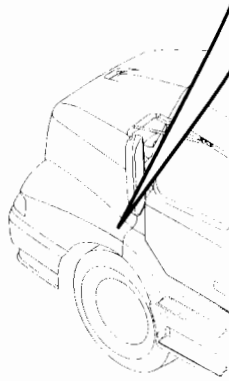
CAVITY	CIRCUIT	FUNCTION
--	----	POLARITY NOT REQ'D

**CONNECTOR 16
TRACTION CONTROL VALVE**

CAVITY	CIRCUIT	FUNCTION
1	781	SOLENOID GROUND
Z	780	SOLENOID SOURCE



EFFECTIVE DATE	DESCRIPTION

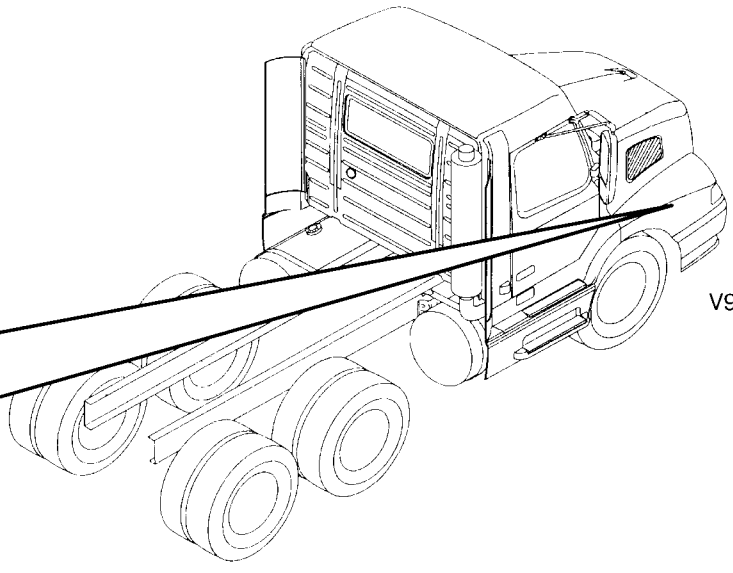


V990150

CHANGE HISTORY

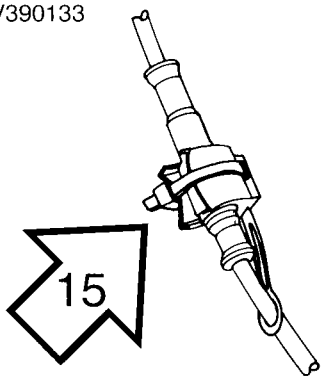
DESCRIPTION

DESCRIPTION

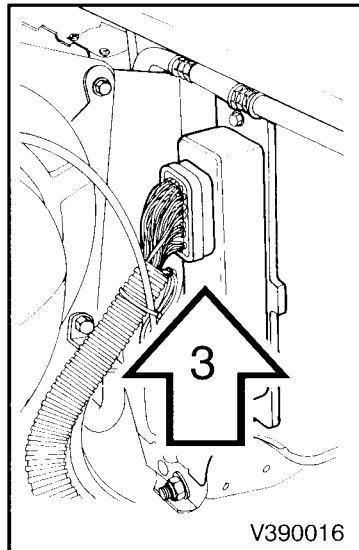


V990158

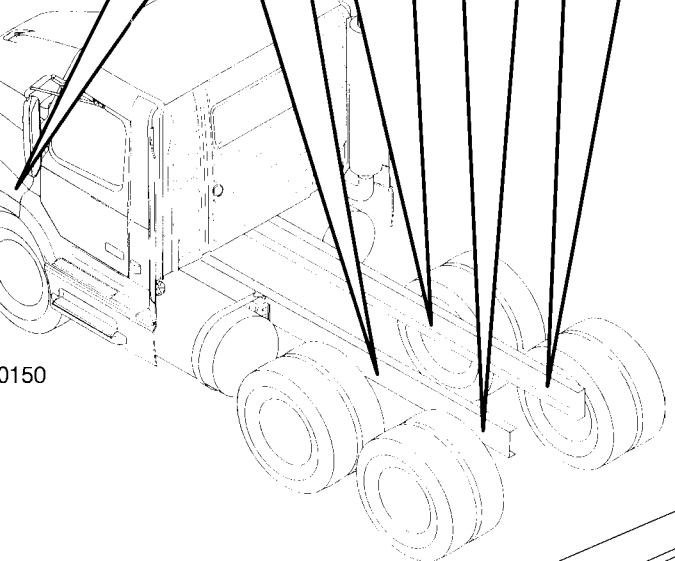
V390133



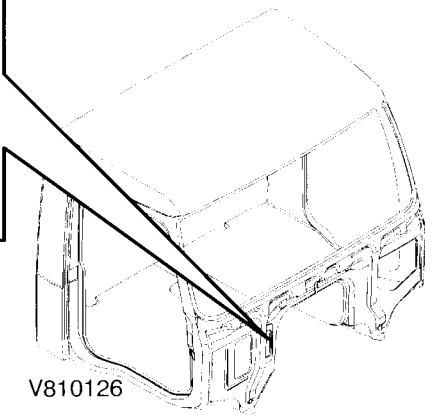
15



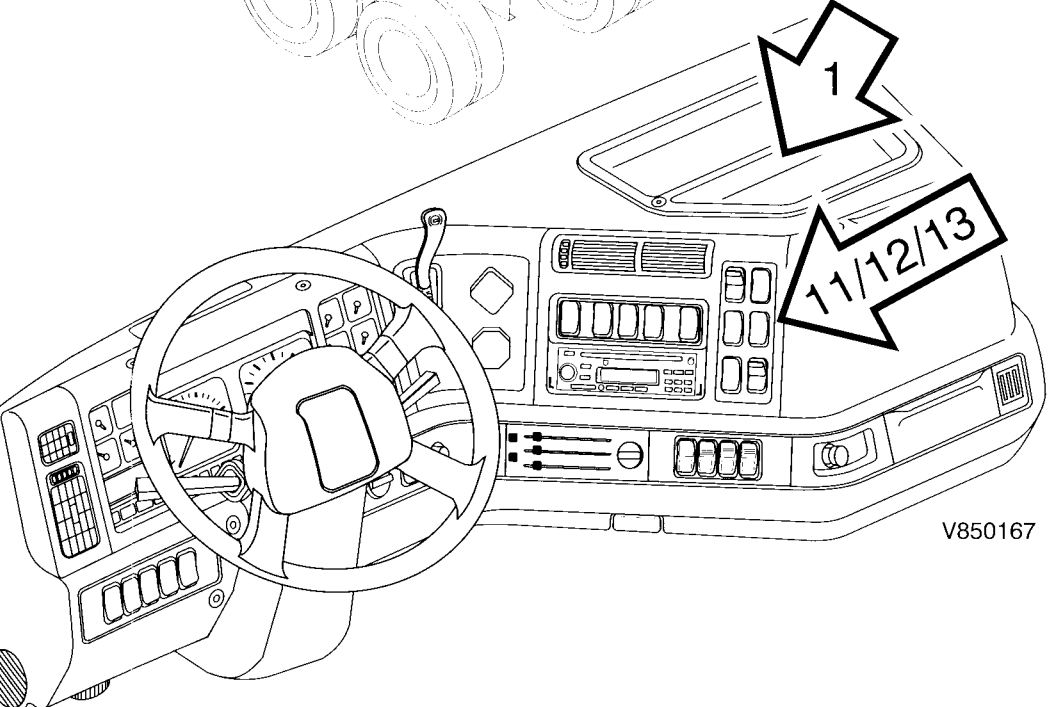
V390016



0150



V810126



V850167

1

11/12/13

