

Service Manual Trucks

Group **37**

Electrical Schematic:

Back of Cab Lamp,

Single Hi-mount

VNL, VNM

From Build Date 2.98

PV776-370-98212/1

VOLVO

BATTERY 12 VOLT
IGNITION 12 VOLT
ACCESSORY 12 VOLT

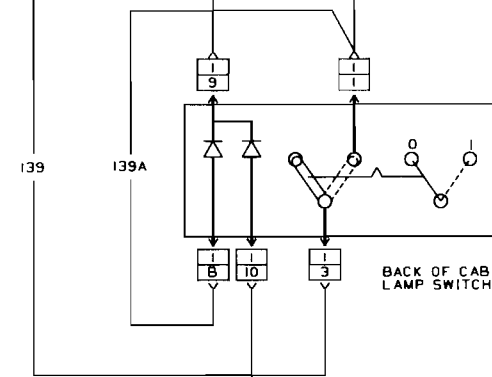
BUSS BAR

MAXI-FUSE 10
50A

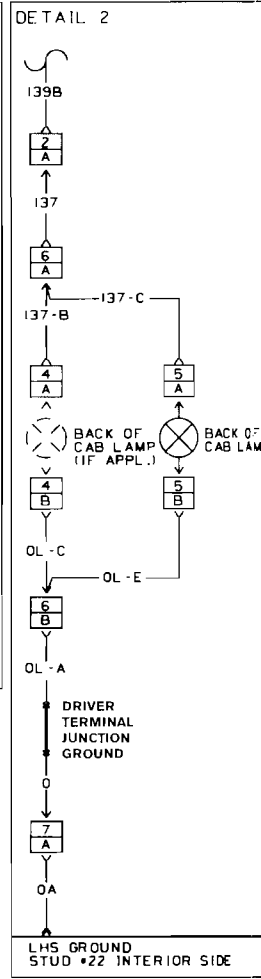
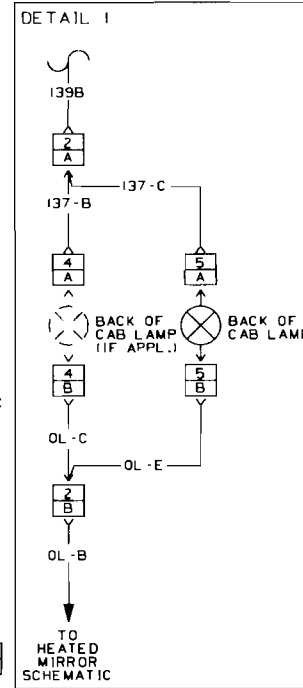
IPA-B

FUSE 26
10A

TO DETAIL 1 - VN NON-SLEEPER
TO DETAIL 2 - VN 420 / 610 SLEEPER



141-BF
TO DIMMER CONTROL SCHEMATIC



OJ-C
SPLICE PACK OJ-A
OJ-A

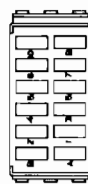
GROUND

LHS GROUND
STUD #23 INTERIOR SIDE

Back of Cab Lamp, Single Hi-mount - VNL, VNM

EFFECTIVE DATE	DESCRIPTION

CONNECTOR AND SPLICE INFORMATION
CONNECTORS VIEWED FROM CABLE ENTRY



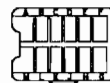
CONNECTOR 1
MAIN CAB HARNESS
TO BACK OF CAB SWITCH

TABLE OF CONTENTS		
CAVITY	CIRCUIT	FUNCTION
B	139A	12 VOLT SUPPLY
I	139A/139B	12 VOLT SUPPLY
J	139	12 VOLT SUPPLY
9	OJ-C	GROUND
10	141-BF	TO RHEOSTAT



CONNECTOR 2
CAB HARNESS TO BACK OF CAB LAMP

TABLE OF CONTENTS		
CAVITY	CIRCUIT	FUNCTION
A	139B	12 VOLT SUPPLY
B	OL-B	GROUND



CONNECTOR 3
SPLICE PACK OJ-A

TABLE OF CONTENTS		
CAVITY	CIRCUIT	FUNCTION
A	OJ-A	GROUND
C	OJ-C	BACK OF CAB LAMP



CONNECTOR 4
BACK OF CAB LAMP, DRIVER SIDE

TABLE OF CONTENTS		
CAVITY	CIRCUIT	FUNCTION
A	137-B	12 VOLT SUPPLY
B	OL-C	GROUND



CONNECTOR 5
BACK OF CAB LAMP HI DRIVER SIDE

TABLE OF CONTENTS		
CAVITY	CIRCUIT	FUNCTION
A	137-C	12 VOLT SUPPLY
B	OL-E	GROUND



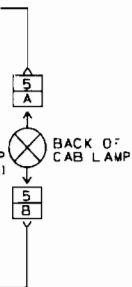
CONNECTOR 6
BUNK HARNESS TO BACK OF CAB LAMP

TABLE OF CONTENTS		
CAVITY	CIRCUIT	FUNCTION
A	137	12 VOLT SUPPLY
B	OL-A	GROUND



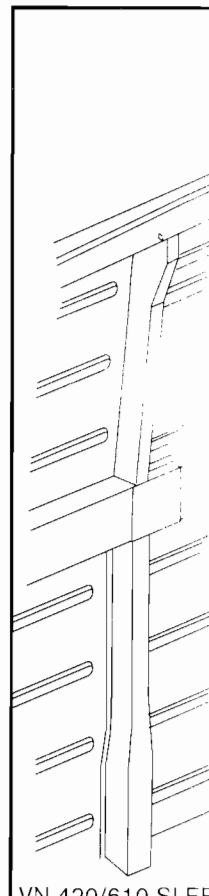
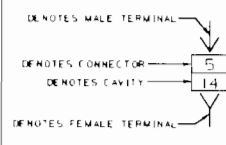
CONNECTOR 7
BUNK HARNESS TO BACK OF CAB LAMP

TABLE OF CONTENTS		
CAVITY	CIRCUIT	FUNCTION
A	0A	GROUND



RIOR SIDE

SYMBOL DEFINITION



CHANGE HISTORY
DESCRIPTION

