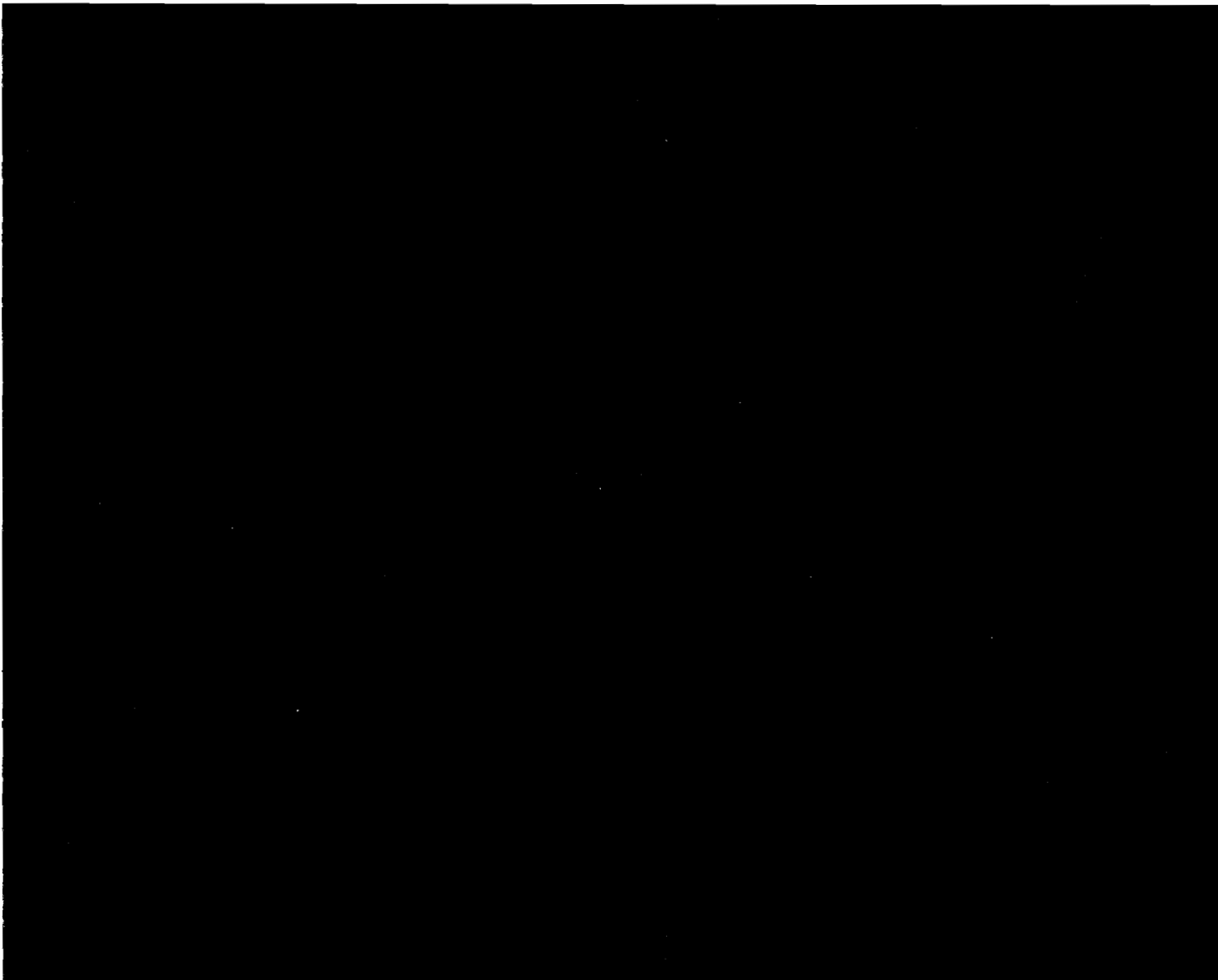


Service Manual Trucks

Group **37**

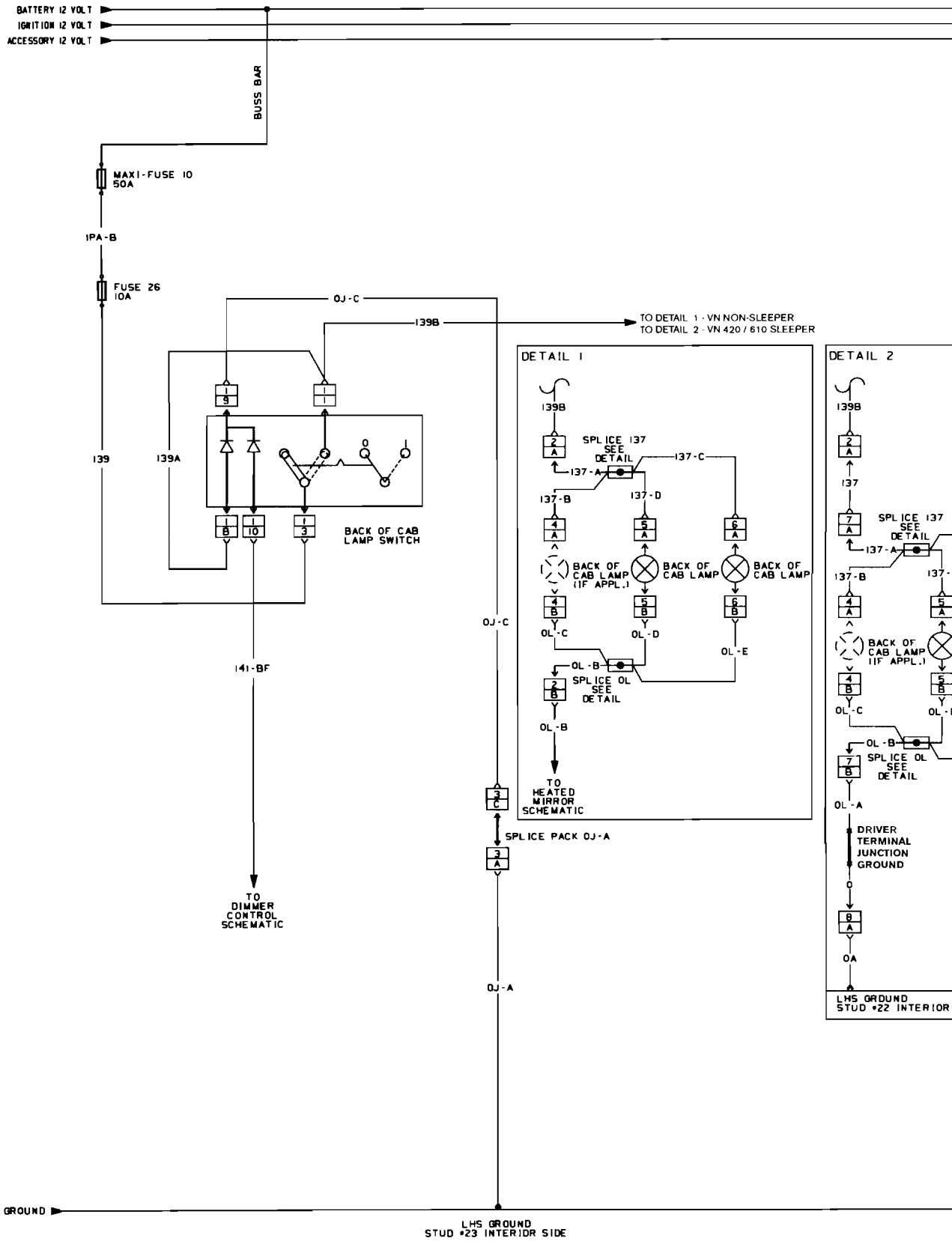
Electrical Schematic:
Back of Cab Lamp,
Dual High
VNL, VNM

From Build Date 2.98



PV776-370-98210/1

VOLVO



Back of Cab Lamp, Dual High - VNL, VNM

