

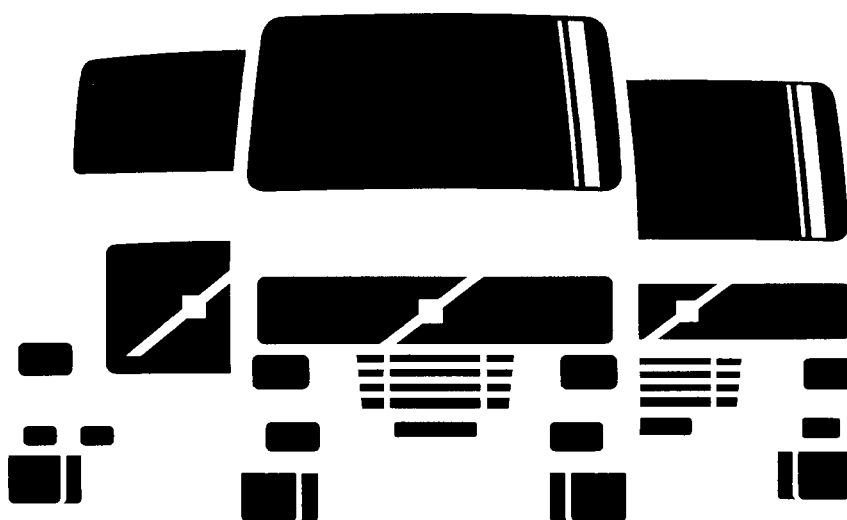
Service Manual Trucks

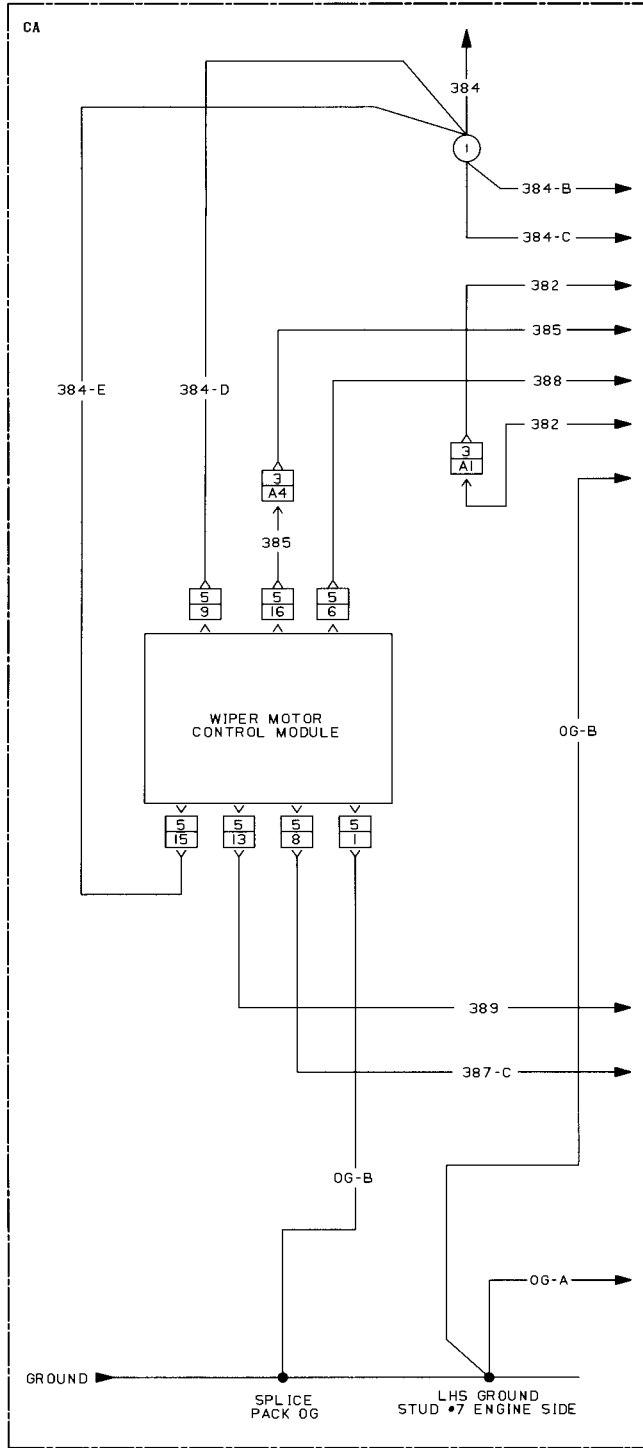
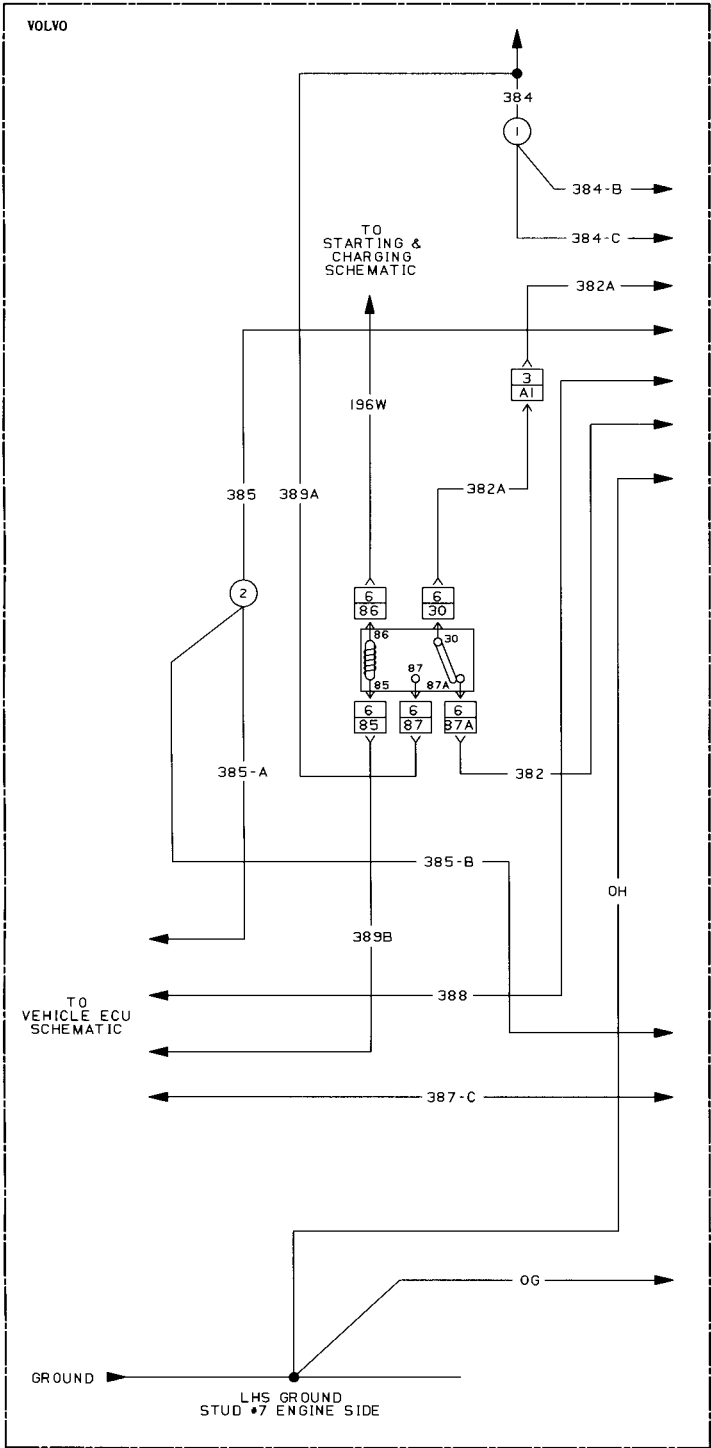
Group **37**

Electrical Schematic:
Windshield Wipers

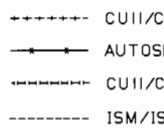
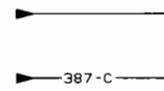
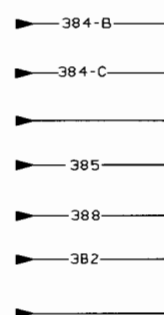
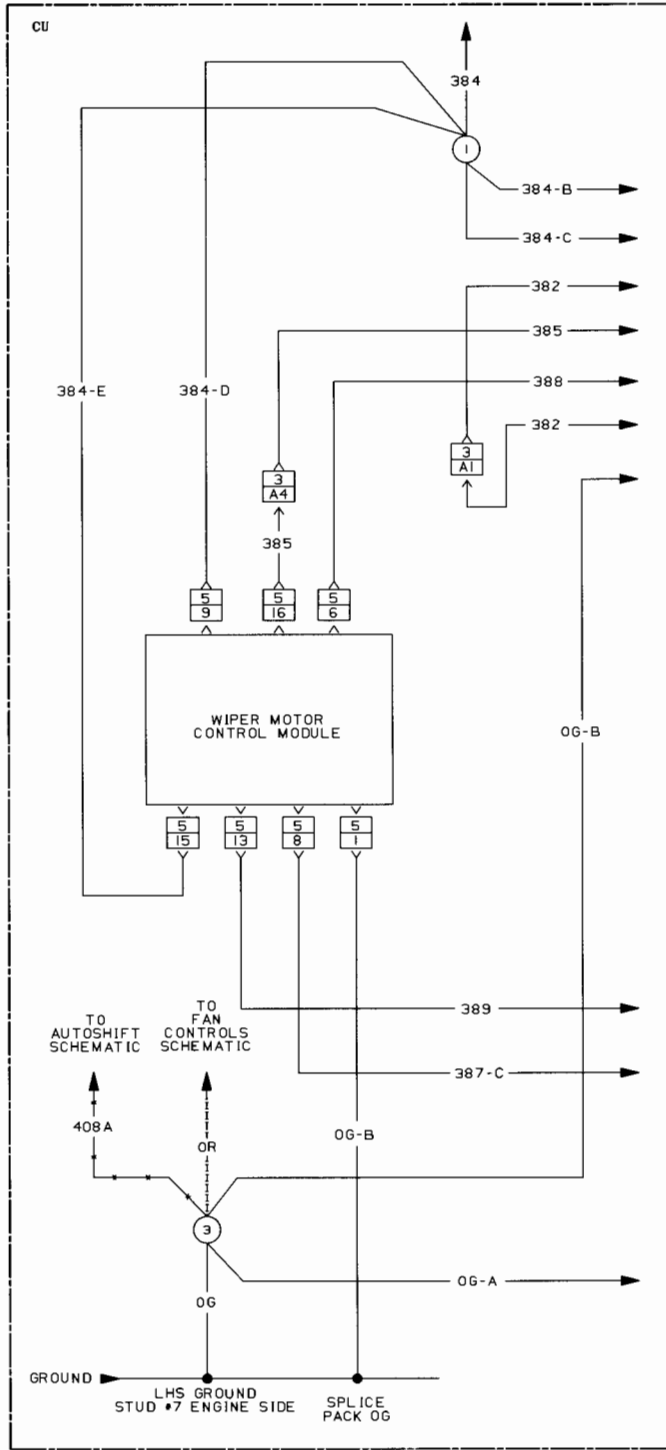
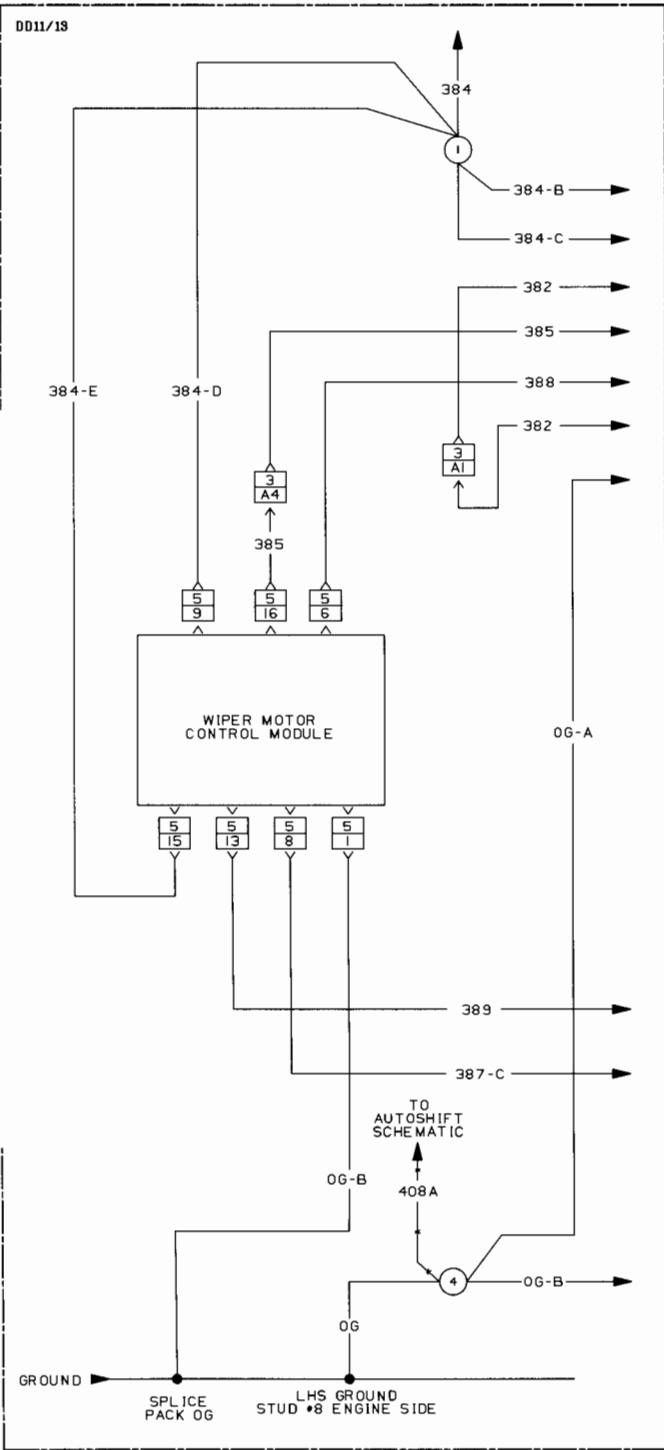
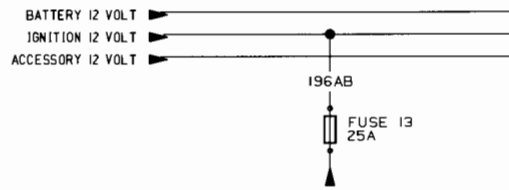
VN

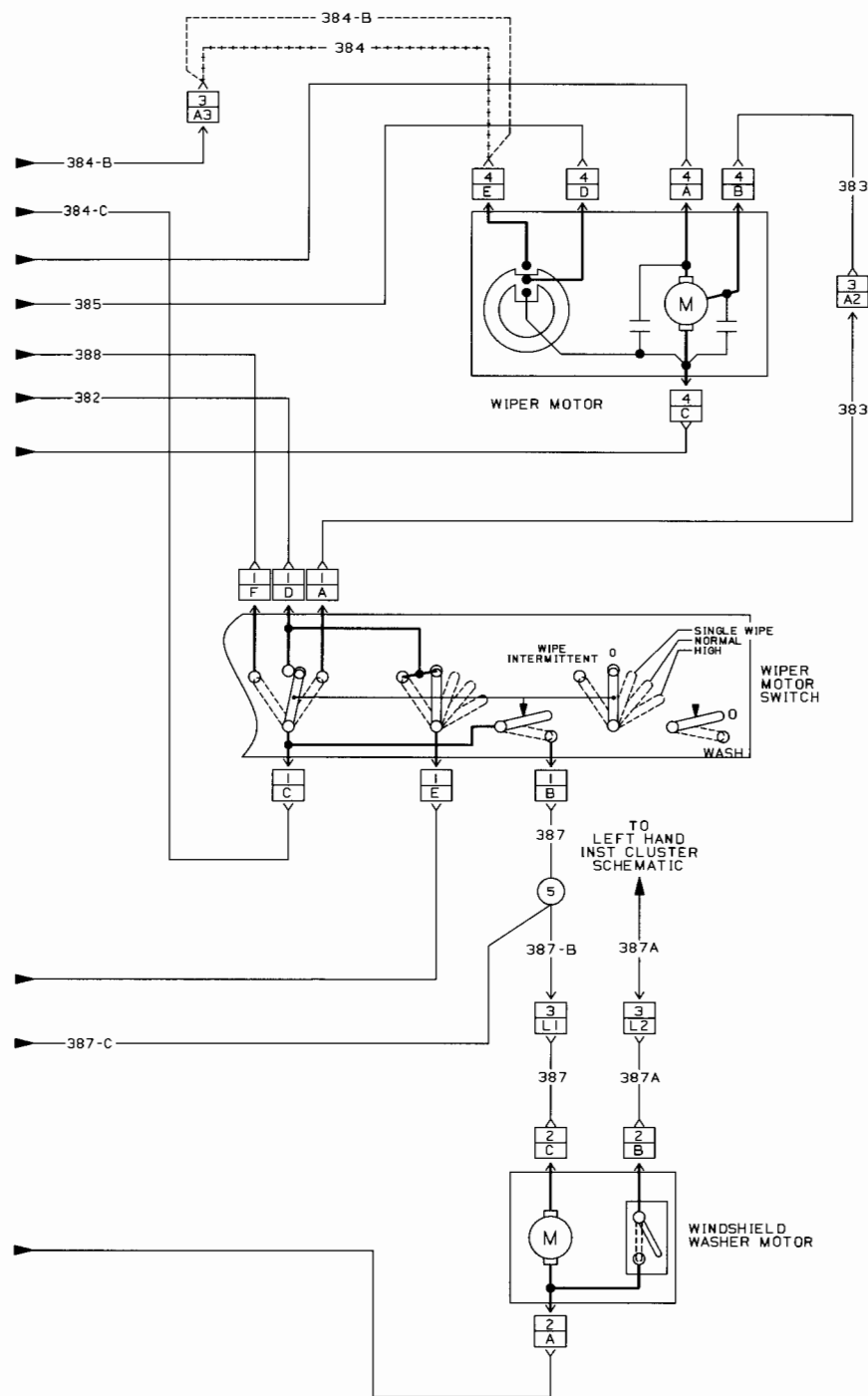
From Build Date 2.98





Windshield Wipers - VN



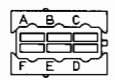


- - - - - CUII/CUI4/CA/DD ONLY
 - - - - - AUTOSHIFT ONLY (CUI4)
 - - - - - CUII/CUI4 ONLY
 - - - - - ISM/ISX/VOLVO ONLY

CONNECTOR AND SPLICE INFORMATION
CONNECTORS VIEWED FROM CABLE ENTRY

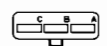
EFFECTIVE DATE	DE

CONNECTOR 1
WIPER MOTOR SWITCH



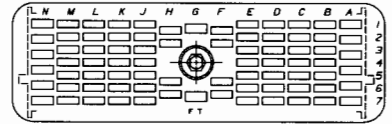
CAVITY	CIRCUIT	FUNCTION
A	383	HIGH SPEED WIPER
B	387	12 VOLT SUPPLY
C	384-C	GROUND
D	382	LOW SPEED WIPER
E	389	TO WIPER CONTROL MODULE
F	388	TO WIPER CONTROL MODULE

CONNECTOR 2
WINDSHIELD WASHER MOTOR



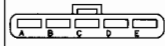
CAVITY	CIRCUIT	FUNCTION
A	OG	WASHER MOTOR GROUND
A	OG-A	WASHER MOTOR GROUND
B	OG-B	WASHER MOTOR GROUND
B	387A	LOW FLUID LEVEL
C	387	12 VOLT SUPPLY

CONNECTOR 3
ENGINE HARNESS PASS THROUGH



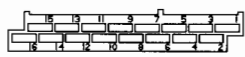
CAVITY	CIRCUIT	FUNCTION
A1	382	LOW SPEED WIPER
A2	383	HIGH SPEED WIPER
A3	384-B	12 VOLT SUPPLY
A4	385	PARK CONTROL
L1	387-B	12 VOLT SUPPLY
L2	387A	LOW FLUID LEVEL

CONNECTOR 4
WIPER MOTOR



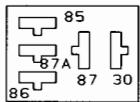
CAVITY	CIRCUIT	FUNCTION
A	382	LOW SPEED WIPER
A	382A	LOW SPEED WIPER
B	383	HIGH SPEED WIPER
C	OG-A	WIPER MOTOR GROUND
C	OG-B	WIPER MOTOR GROUND
D	OH	WIPER MOTOR GROUND
D	385	PARK CONTROL WIPER MOTOR
E	384	12 VOLT SUPPLY

CONNECTOR 5
WIPER MOTOR CONTROL MODULE



CAVITY	CIRCUIT	FUNCTION
1	OG-B	WIPER MODULE GROUND
6	388	SWITCH/INTERVAL WIPER
8	387-C	WASHER MOTOR CONTROL
9	384-D	12 VOLT SUPPLY
13	389	12 VOLT SUPPLY
15	384-E	WIPER MOTOR SUPPLY
16	385	PARK CONTROL WIPER MOTOR

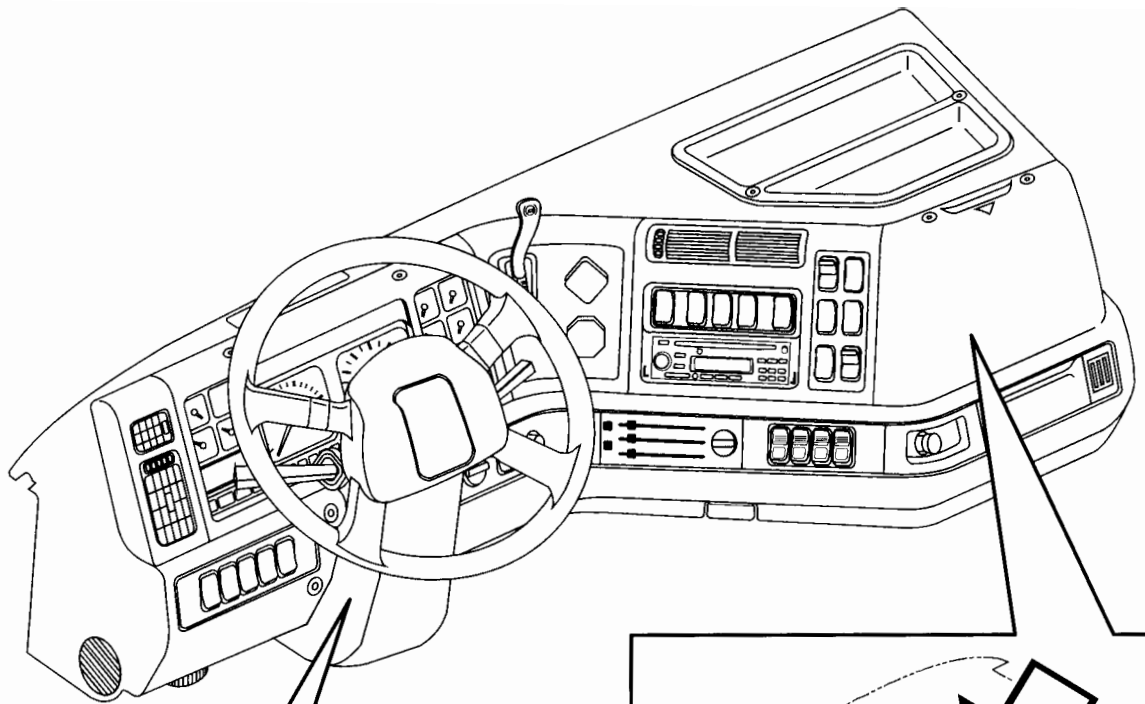
CONNECTOR 6
INTERMITTENT WIPER RELAY R13



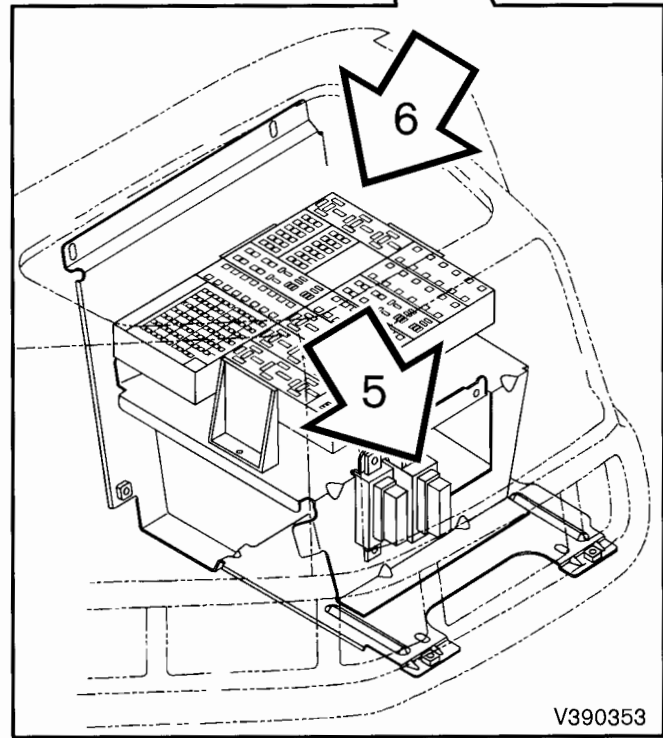
CAVITY	CIRCUIT	FUNCTION
86	196W	12 VOLT SUPPLY
87A	382	12 VOLT SUPPLY
85	389B	POWER CONTROL FROM YECU
87	389A	12 VOLT SUPPLY
30	382A	LOW SPEED WIPER

SPLICE LOCATION CHART

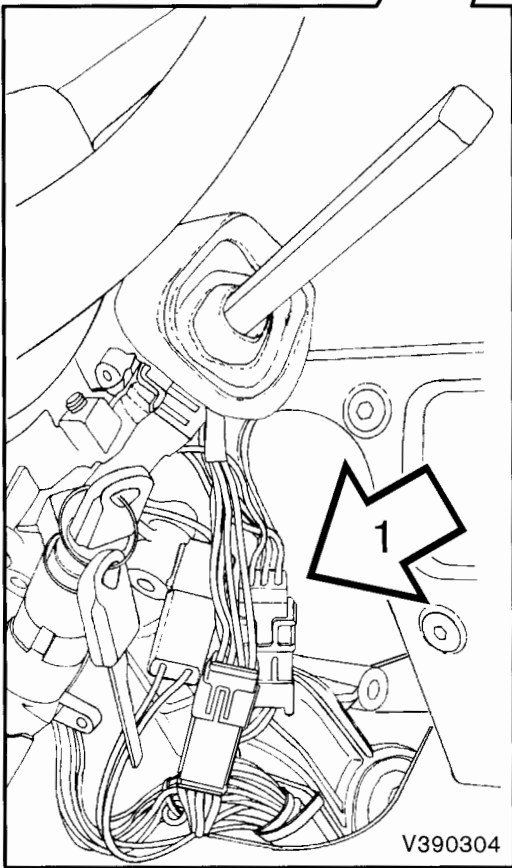
SPLICE	HARNESS	LOCATION
1	CAB	MAIN TRUNK
2	CAB	STEERING COLUMN BREAKOUT
3	ENGINE	MAIN TRUNK WIPER MOTOR BRANCH
4	ENGINE	225MM FROM GROUND STUD
5	CAB	STEERING COLUMN BREAKOUT



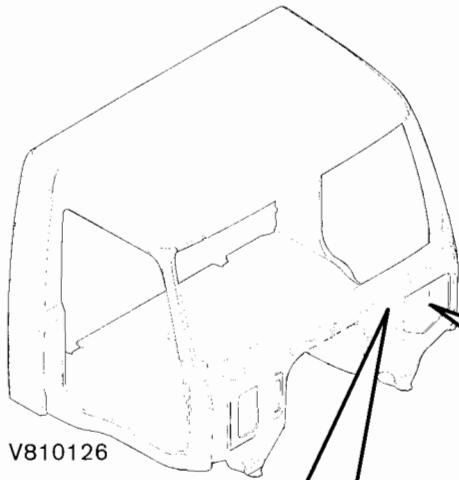
V850167



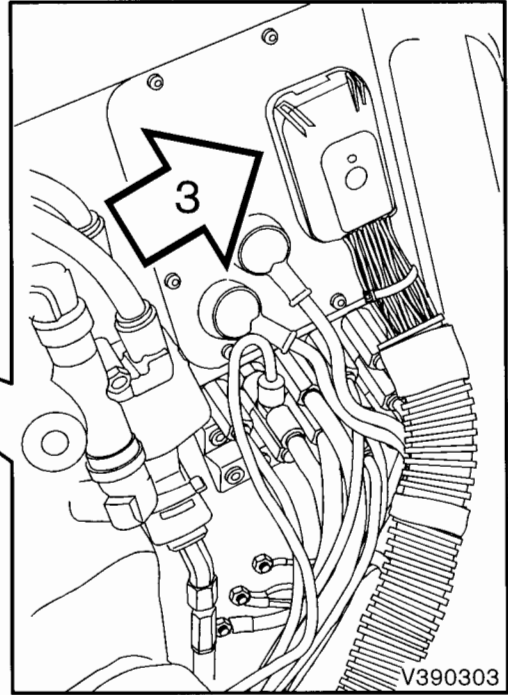
V390353



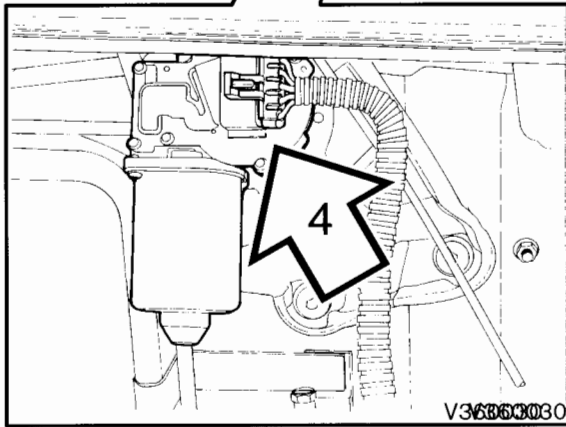
V390304



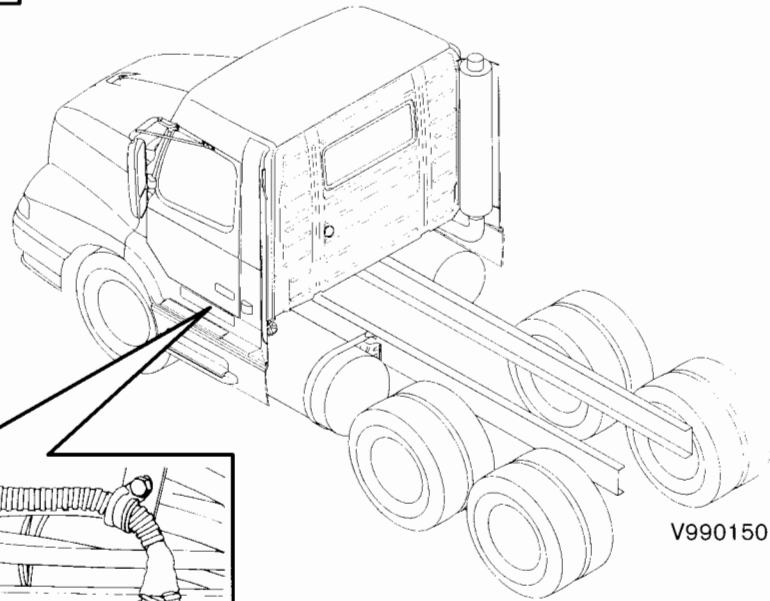
V810126



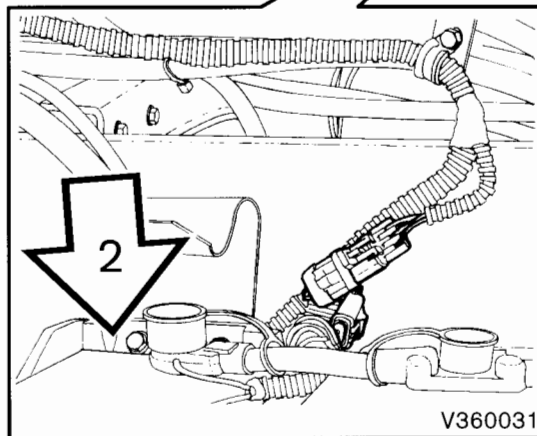
V390303



V360030



V990150



V360031

V390353