

# Service Manual Trucks

Group 37

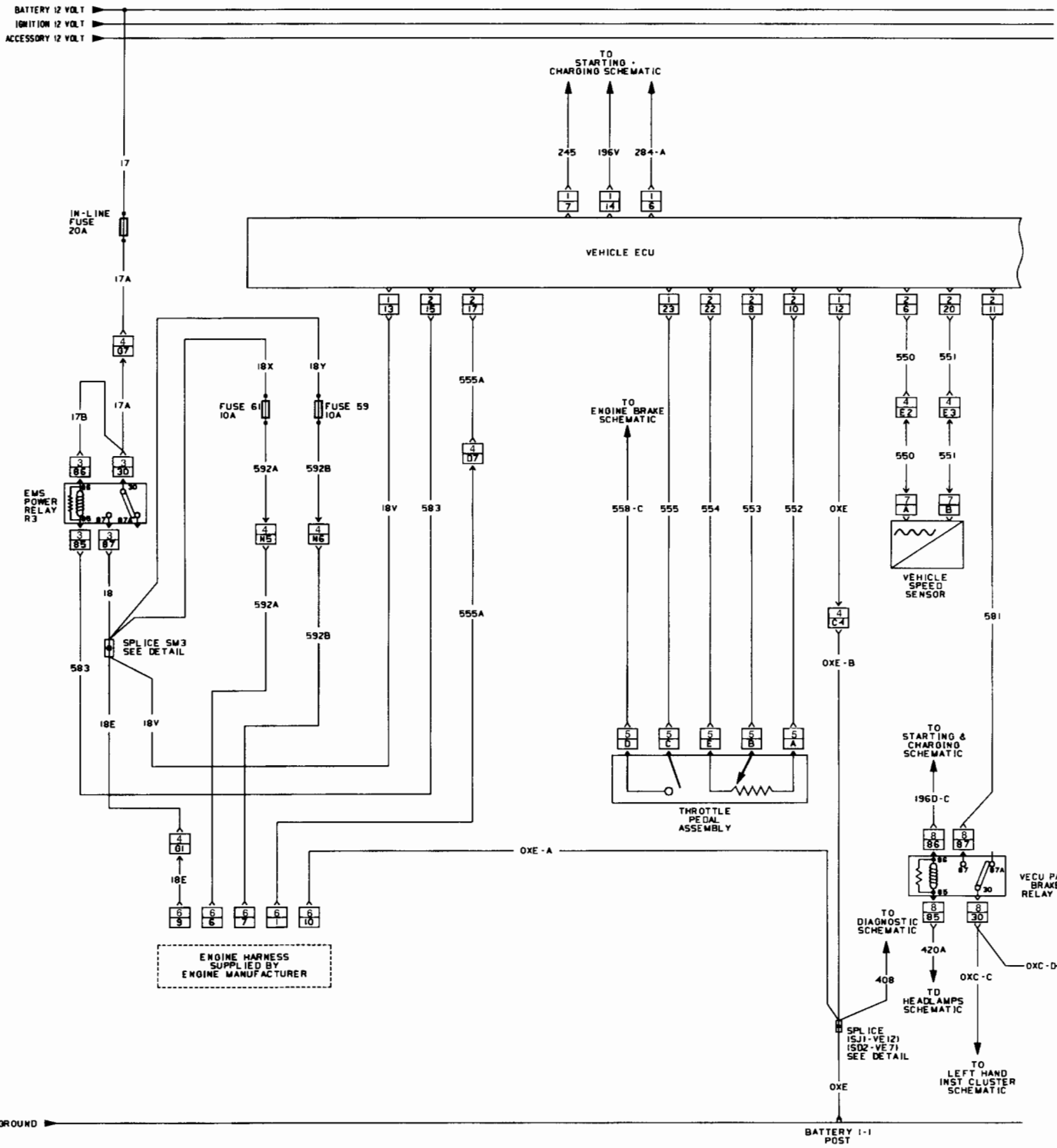
Electrical Schematic:

Vehicle ECU (VECU),

Volvo Engine

VNL, VNM

From Build Date 2.98



**SYMBOL DEFINITION**

- DENOTES MALE TERMINAL →
- DENOTES CONNECTOR →
- DENOTES CAVITY →
- DENOTES FEMALE TERMINAL →

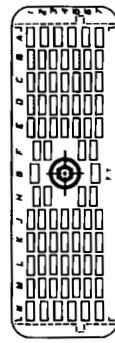
# Vehicle ECU (VECU), Volvo Engine - VNL, VNM

**CONNECTOR AND SPLICE INFORMATION  
CONNECTORS VIEWED FROM CABLE ENTRY**



**CONNECTOR 1  
VEHICLE ECU CONNECTOR A**

TABLE OF CONTENTS		
CAVITY	CIRCUIT	FUNCTION
6	284-A	12V START FEED
7	245	ENGINE PREHEAT
12	02E	GROUND
13	18V	SWITCHED BATTERY FEED TO EMS ECU
14	196V	IGNITION FEED
23	555	IDLE VALIDATION INPUT



**CONNECTOR 4  
ENGINE HARNESS PASS THROUGH**

TABLE OF CONTENTS		
CAVITY	CIRCUIT	FUNCTION
D7	555A	IDLE VALIDATION INPUT
E2	550	VEHICLE SPEED INPUT
E3	551	VEHICLE SPEED RETURN
G1	18E	SWITCHED BATTERY FEED TO VECU
G7	17A	BATTERY I-I POST
C4	02E	GROUND
N5	592A	12 VOLT SUPPLY
N6	592B	12 VOLT SUPPLY



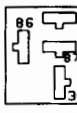
**CONNECTOR 2  
VEHICLE ECU CONNECTOR B**

TABLE OF CONTENTS		
CAVITY	CIRCUIT	FUNCTION
8	550	VEHICLE SPEED INPUT
9	553	THROTTLE POSITION SENSOR INPUT
10	552	THROTTLE POSITION SENSOR SUPPLY
11	581	PARKING BRAKE SWITCH INPUT VECU
15	583	POWER CONTROL INPUT
17	555A	IDLE VALIDATION INPUT
20	551	VEHICLE SPEED RETURN
22	554	THROTTLE POSITION SENSOR RETURN



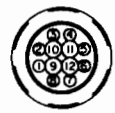
**CONNECTOR 5  
THROTTLE PEDAL ASSEMBLY**

TABLE OF CONTENTS		
CAVITY	CIRCUIT	FUNCTION
A	552	THROTTLE POSITION SENSOR SUPPLY
B	553	THROTTLE POSITION SENSOR INPUT
C	555	IDLE VALIDATION INPUT
D	558-C	12 VOLT SUPPLY
E	554	THROTTLE POSITION SENSOR RETURN



**CONNECTOR 3  
EMS POWER RELAY R3**

TABLE OF CONTENTS		
CAVITY	CIRCUIT	FUNCTION
30	17A/17B	UNSWITCHED BATTERY FEED
86	17B	UNSWITCHED BATTERY FEED
87	18	SWITCHED BATTERY FEED
85	583	POWER CONTROL INPUT



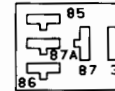
**CONNECTOR 6  
VOLVO ENGINE HARNESS**

TABLE OF CONTENTS		
CAVITY	CIRCUIT	FUNCTION
1	555A	IDLE VALIDATION INPUT
9	18E	SWITCHED BATTERY FEED TO VECU
10	02E-A	GROUND
6	592A	12 VOLT SUPPLY
7	592B	12 VOLT SUPPLY



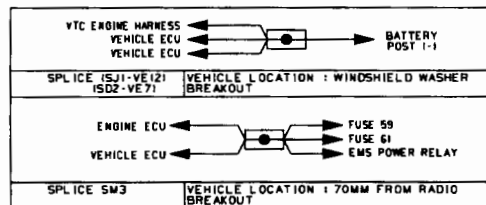
**CONNECTOR 7  
VEHICLE SPEED SENSOR**

TABLE OF CONTENTS		
CAVITY	CIRCUIT	FUNCTION
A	550	VEHICLE SPEED INPUT
B	551	VEHICLE SPEED RETURN



**CONNECTOR 8  
ECM PARK BRAKE RELAY R7**

TABLE OF CONTENTS		
CAVITY	CIRCUIT	FUNCTION
30	02C-C/02C-D	GROUND
85	420A	PARK BRAKE SW CONTROL
86	196D-C	12 VOLT SUPPLY
87	581	PARKING BRAKE SWITCH INPUT VECU



VECU PARK BRAKE RELAY R7

TO STOP LAMP SCHEMATIC

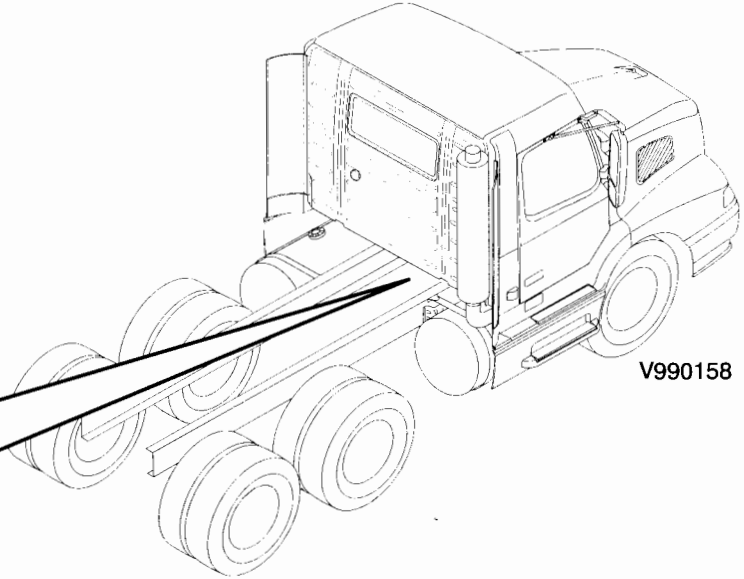
EFFECTIVE DATE	DESCRIPTION
9/98	CORRECTED SC



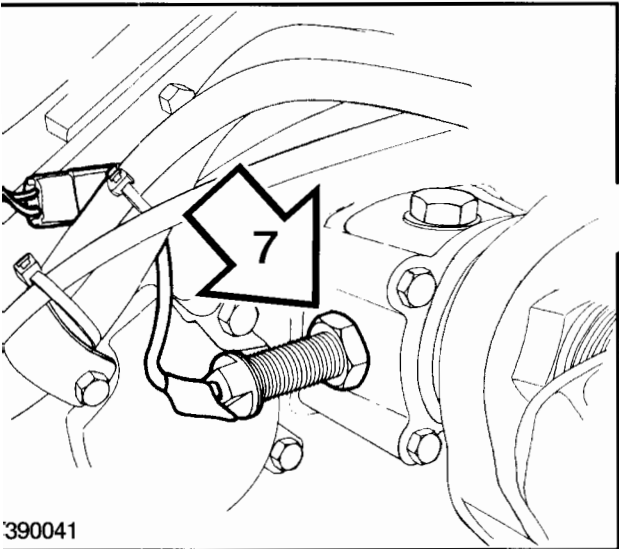
V390041

CHANGE HISTORY

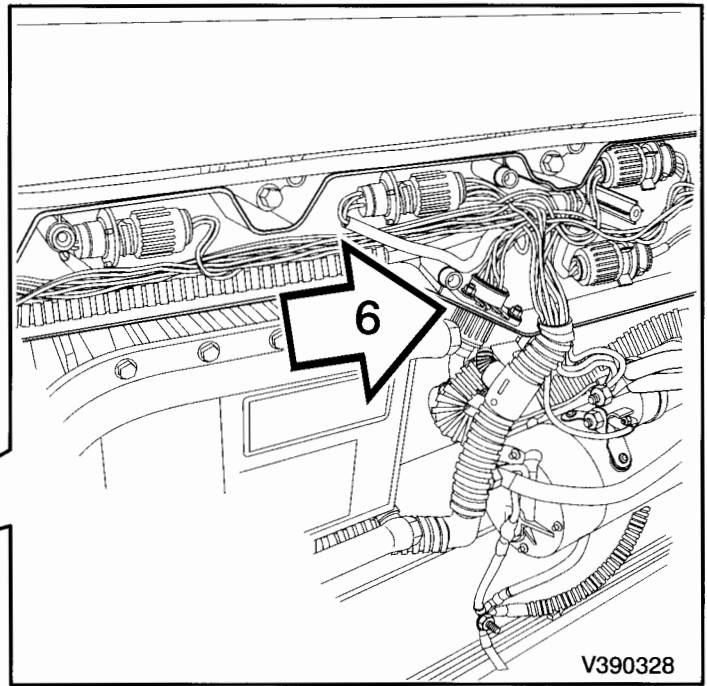
DESCRIPTION
CORRECTED SCHEMATIC & CIRCUIT DESCRIPTIONS



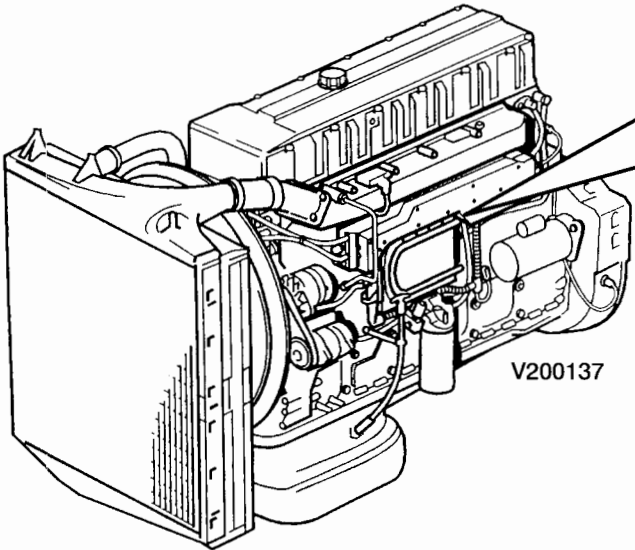
V990158



390041



V390328



V200137

