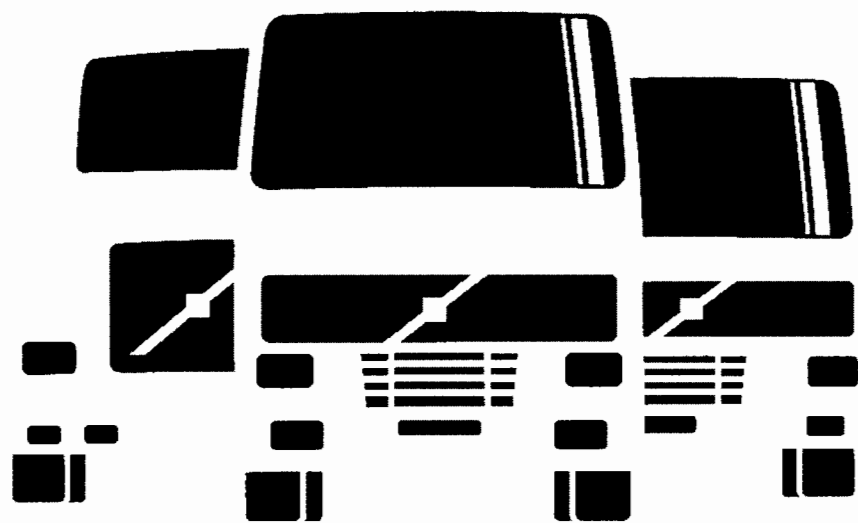


# Service Manual Trucks

Group 37

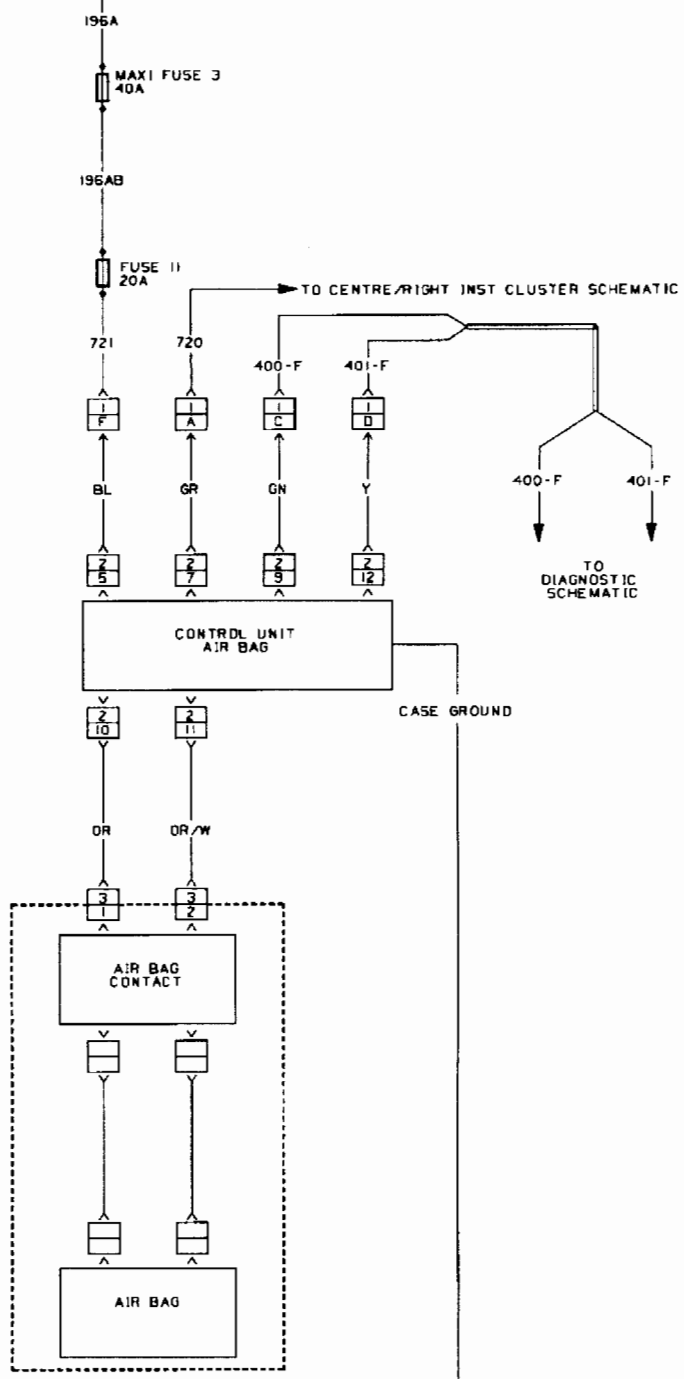
Electrical Schematic:  
Supplemental Restraint System  
(Airbag)  
VNL, VNM



BATTERY 12 VOLT  
 IGNITION 12 VOLT  
 ACCESSORY 12 VOLT

SEE NOTE 1

GROUND  
 LHS GROUND  
 STUD #20 INTERIOR SIDE



# Supplemental Restraint System (Airbag) - VNL, VNM

### CHANGE HISTORY

| EFFECTIVE DATE | DESCRIPTION |
|----------------|-------------|
|                |             |
|                |             |
|                |             |
|                |             |
|                |             |
|                |             |
|                |             |
|                |             |
|                |             |
|                |             |
|                |             |

#### CONNECTOR AND SPLICE INFORMATION CONNECTORS VIEWED FROM CABLE ENTRY

##### CONNECTOR 1 SRS INTERFACE



| TABLE OF CONTENTS |         |                         |
|-------------------|---------|-------------------------|
| CAVITY            | CIRCUIT | FUNCTION                |
| A                 | 720     | WARNING LAMP            |
| C                 | 400-F   | POS DATA LINK SAE J1708 |
| D                 | 401-F   | NEG DATA LINK SAE J1708 |
| F                 | 721     | 12 VOLT SUPPLY          |

##### CONNECTOR 2 CONTROL UNIT AIR BAG



| TABLE OF CONTENTS |         |                         |
|-------------------|---------|-------------------------|
| CAVITY            | CIRCUIT | FUNCTION                |
| 5                 | BL      | 12 VOLT SUPPLY          |
| 7                 | GR      | WARNING LAMP            |
| 10                | OR      | AIR BAG SUPPLY          |
| 11                | OR/W    | AIR BAG RETURN          |
| 9                 | GN      | POS DATA LINK SAE J1708 |
| 12                | Y       | NEG DATA LINK SAE J1708 |

##### CONNECTOR 3 AIR BAG CONTACT ROLLER



| TABLE OF CONTENTS |         |                |
|-------------------|---------|----------------|
| CAVITY            | CIRCUIT | FUNCTION       |
| 1                 | OR      | AIR BAG SUPPLY |
| 2                 | OR/W    | AIR BAG RETURN |

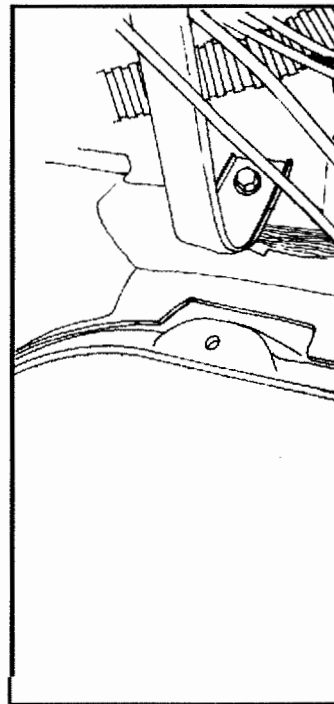
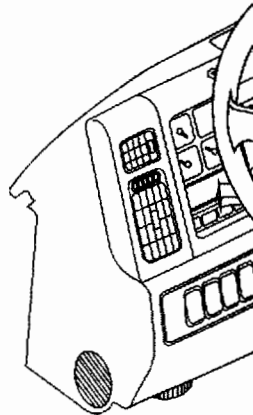
##### CONNECTOR 4 SRB INTERFACE



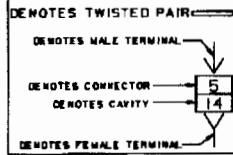
| TABLE OF CONTENTS |         |          |
|-------------------|---------|----------|
| CAVITY            | CIRCUIT | FUNCTION |
| A                 | 0XB     | GROUND   |

#### NOTES:

N1: CONNECTORS 1 & 4 ARE PLUGGED TOGETHER FOR W/O AIR BAG OPTION ONLY.



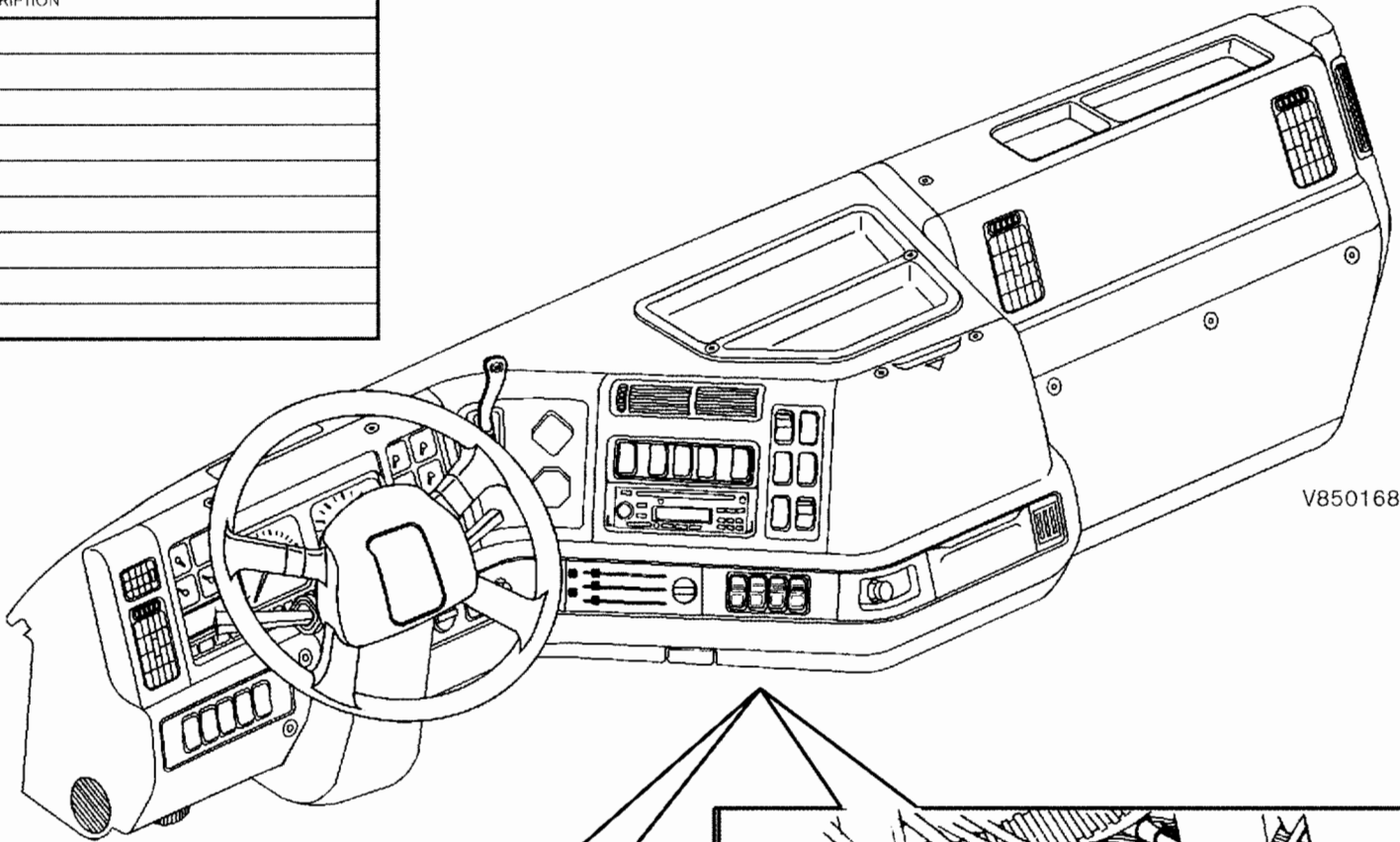
#### SYMBOL DEFINITION



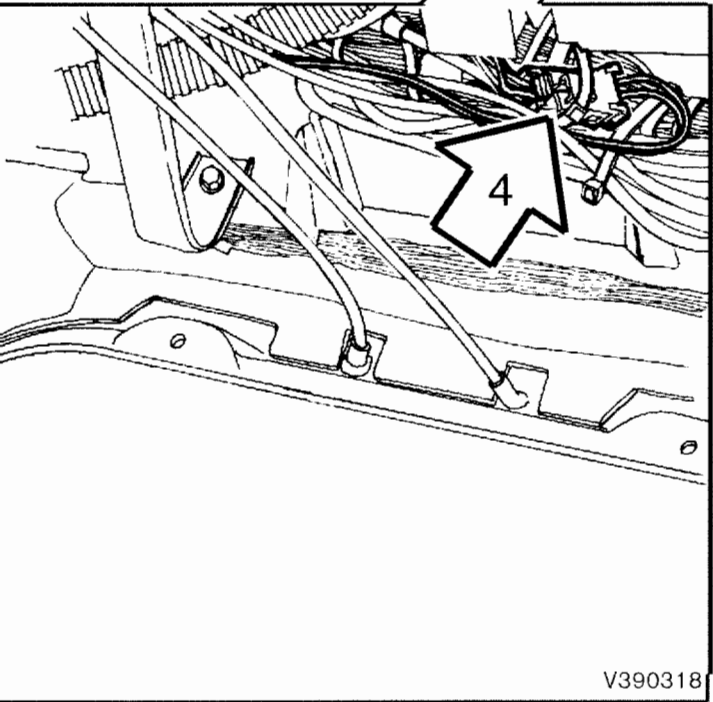
V370637

Schematic #8083054.02

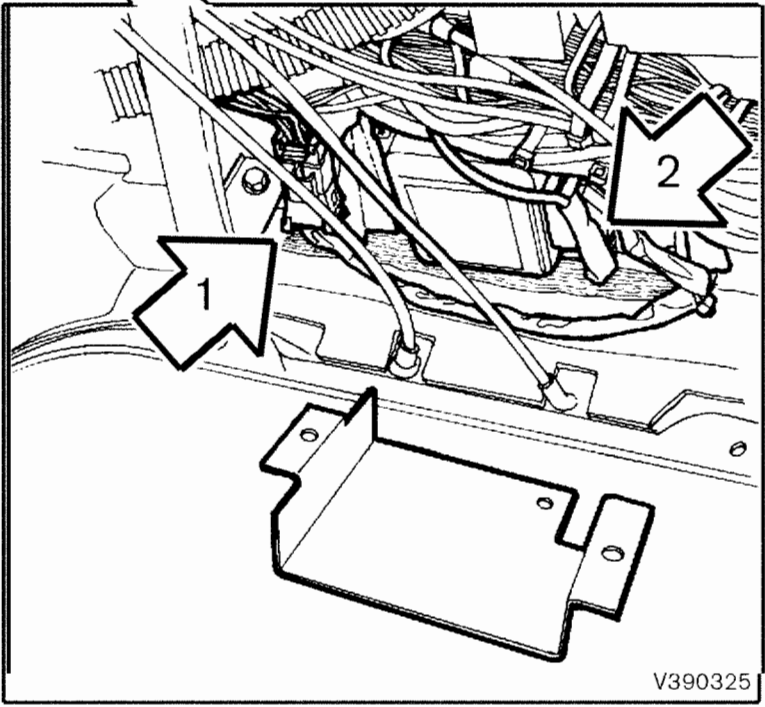
| CHANGE HISTORY |
|----------------|
| DESCRIPTION    |
|                |
|                |
|                |
|                |
|                |
|                |
|                |
|                |
|                |
|                |
|                |
|                |
|                |
|                |
|                |
|                |
|                |
|                |
|                |
|                |
|                |



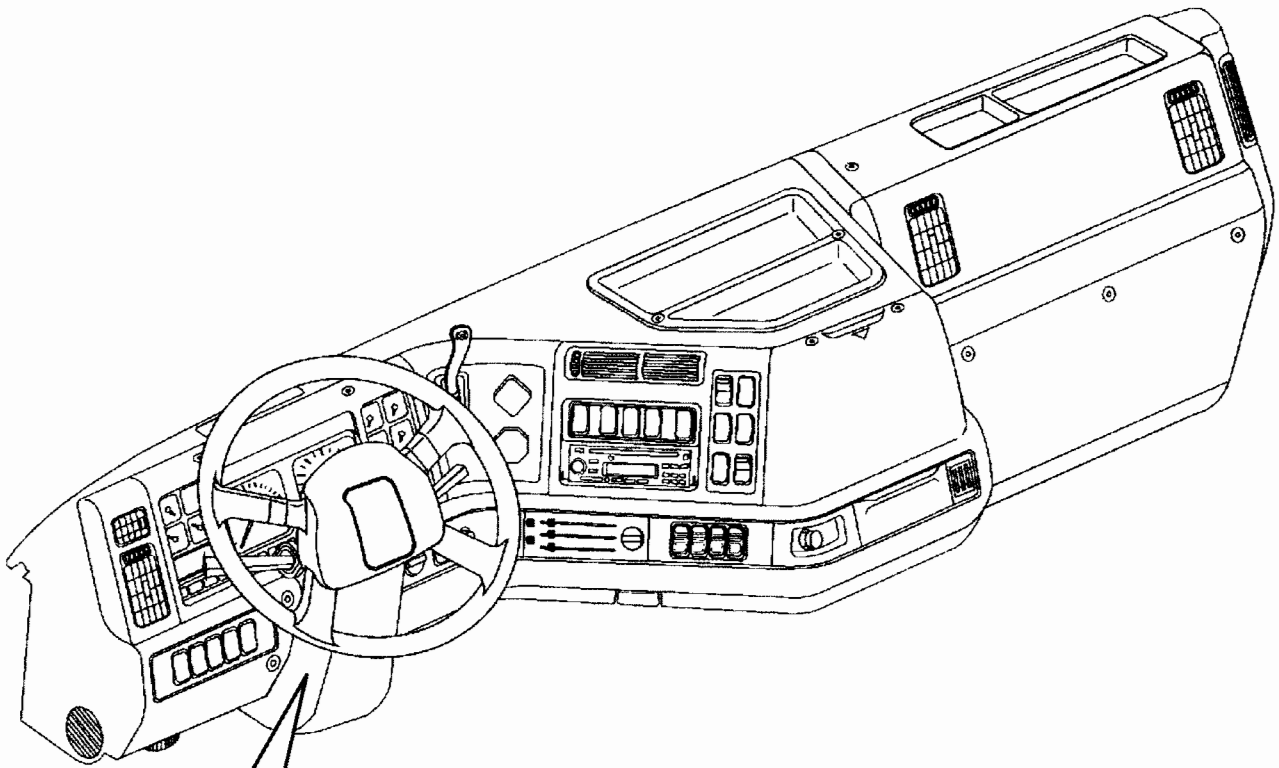
V850168



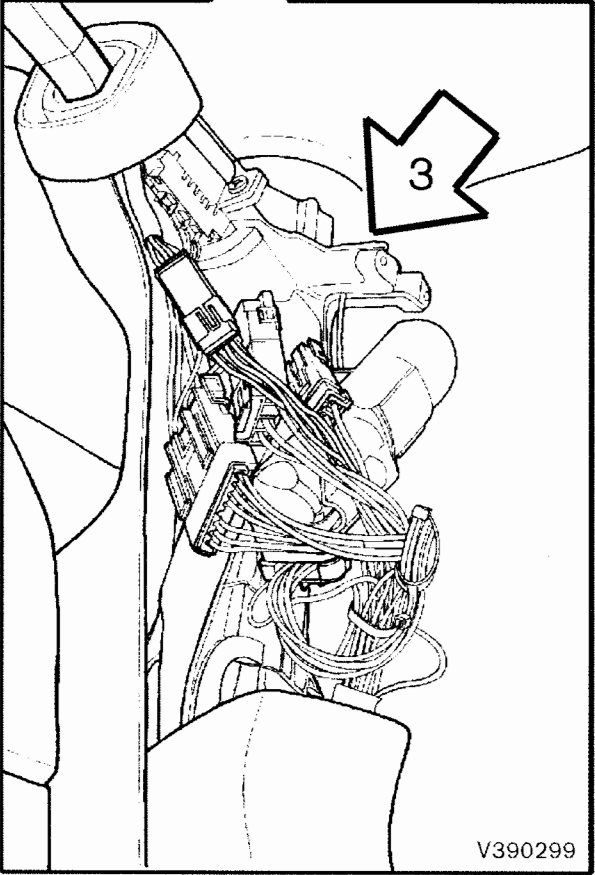
V390318



V390325



V850168



V390299