

Service Manual Trucks

Group **37**

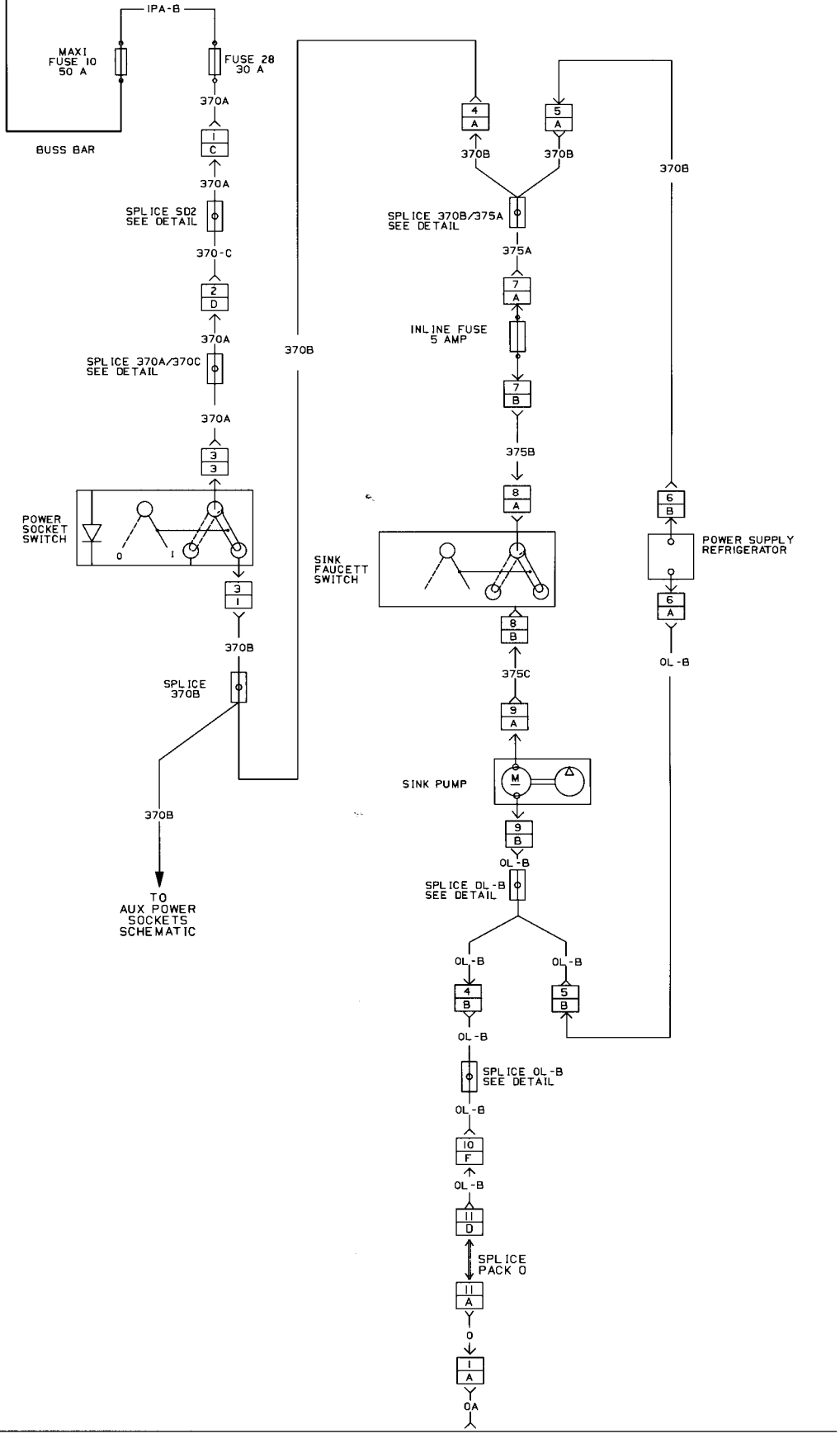
Electrical Schematic:

Sink and Pump

VN 770

From Build Date 9/98

BATTERY 12 VOLT
IGNITION 12 VOLT
ACCESSORY 12 VOLT



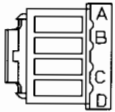
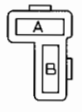
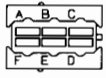

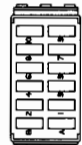
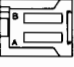


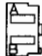
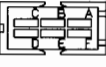
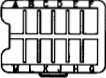
GROUND

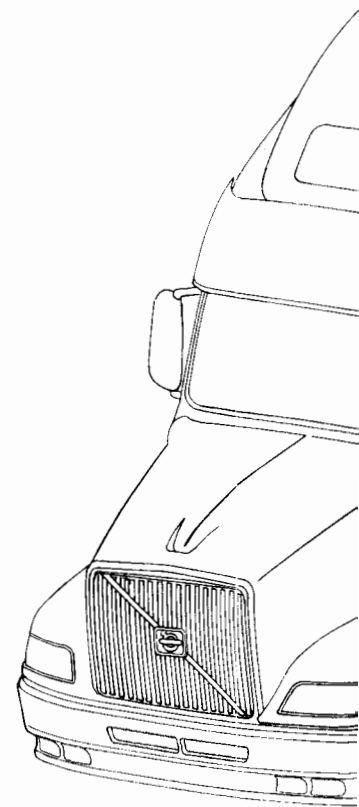
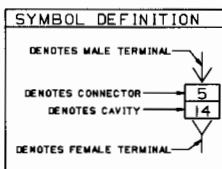
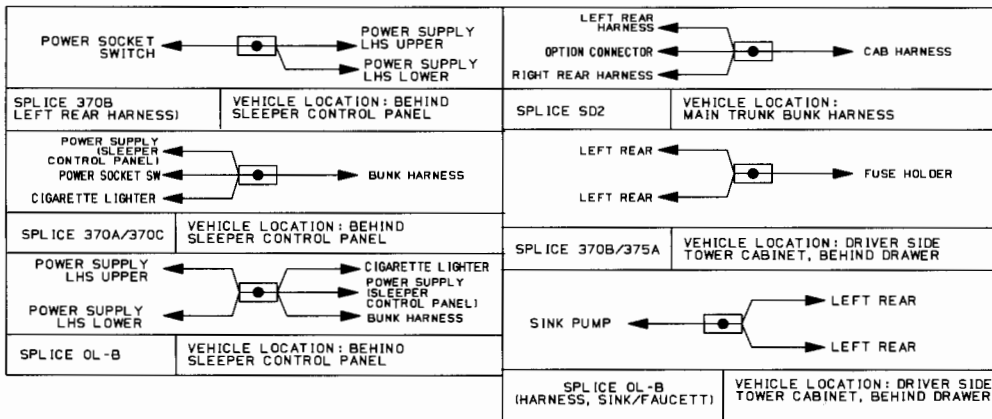
LHS GROUND
STUD #22 INTERIOR SIDE

Sink and Pump - VN 770

| EFFECTIVE DATE | DESCRIPTION |
|----------------|-------------|
| | |
| | |
| | |
| | |
| | |
| | |
| | |
| | |
| | |
| | |

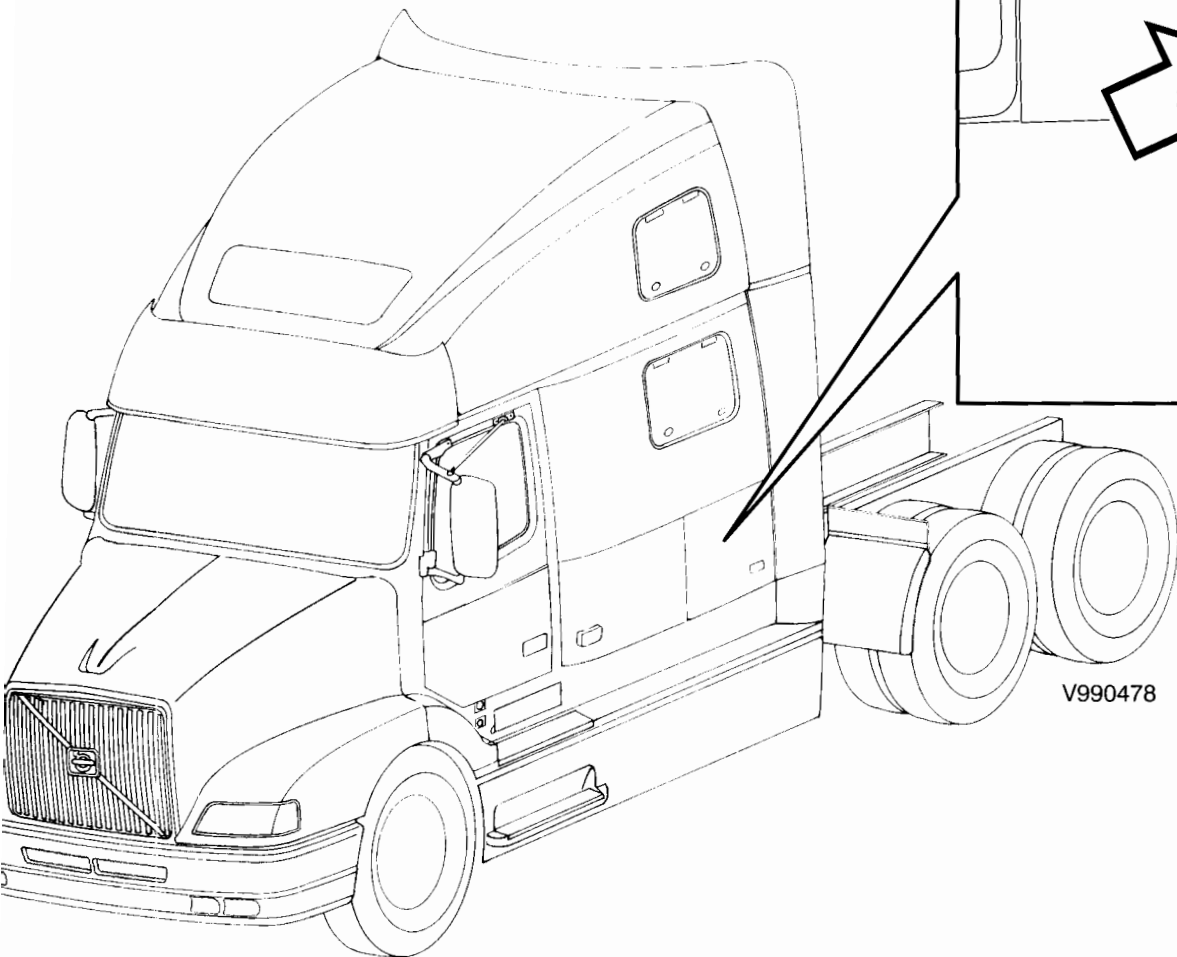
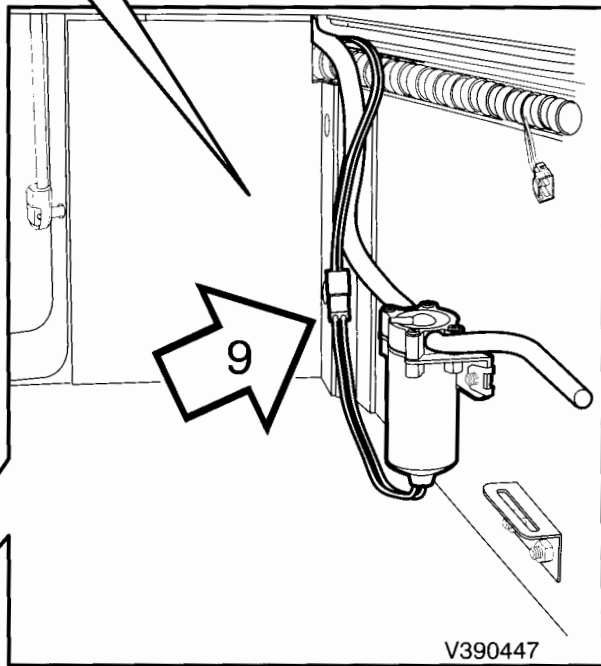
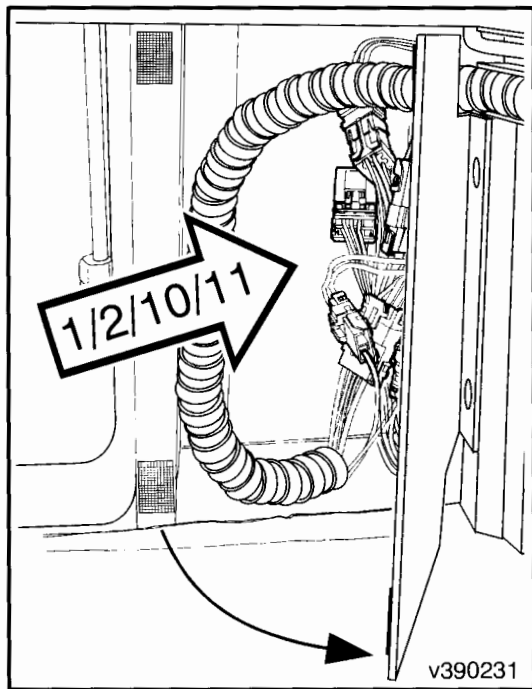
CONNECTOR AND SPLICE INFORMATION
CONNECTORS VIEWED FROM CABLE ENTRY

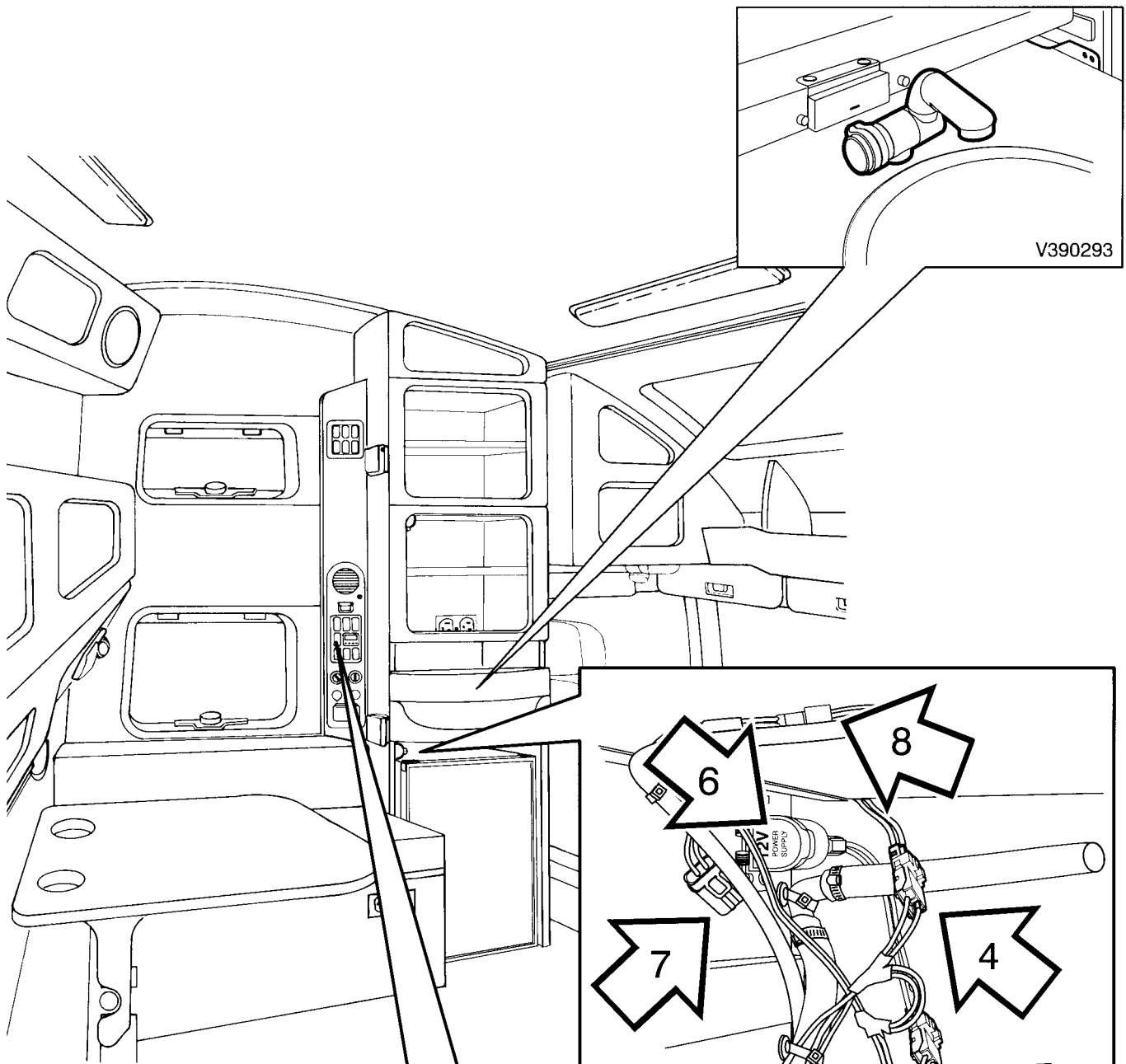
|  <p>CONNECTOR 1 MAIN CAB HARNESS TO BUNK HARNESS</p> <table border="1"> <thead> <tr><th colspan="3">TABLE OF CONTENTS</th></tr> <tr><th>CAVITY</th><th>CIRCUIT</th><th>FUNCTION</th></tr> </thead> <tbody> <tr><td>A</td><td>0</td><td>GROUND</td></tr> <tr><td>C</td><td>370A</td><td>12 VOLT SUPPLY</td></tr> </tbody> </table> | TABLE OF CONTENTS | | | CAVITY | CIRCUIT | FUNCTION | A | 0 | GROUND | C | 370A | 12 VOLT SUPPLY |  <p>CONNECTOR 6 POWER SUPPLY LHS LOWER</p> <table border="1"> <thead> <tr><th colspan="3">TABLE OF CONTENTS</th></tr> <tr><th>CAVITY</th><th>CIRCUIT</th><th>FUNCTION</th></tr> </thead> <tbody> <tr><td>A</td><td>0L-B</td><td>GROUND</td></tr> <tr><td>B</td><td>370B</td><td>12 VOLT SUPPLY</td></tr> </tbody> </table> | TABLE OF CONTENTS | | | CAVITY | CIRCUIT | FUNCTION | A | 0L-B | GROUND | B | 370B | 12 VOLT SUPPLY |
|--|-------------------|--------------------------|--|--------|---------|----------|---|-------|----------------|---|-------------------|----------------|--|-------------------|---------|----------|--------|---------|------------------------|---|------|--------------------------|---|------|---------------------|
| TABLE OF CONTENTS | | | | | | | | | | | | | | | | | | | | | | | | | |
| CAVITY | CIRCUIT | FUNCTION | | | | | | | | | | | | | | | | | | | | | | | |
| A | 0 | GROUND | | | | | | | | | | | | | | | | | | | | | | | |
| C | 370A | 12 VOLT SUPPLY | | | | | | | | | | | | | | | | | | | | | | | |
| TABLE OF CONTENTS | | | | | | | | | | | | | | | | | | | | | | | | | |
| CAVITY | CIRCUIT | FUNCTION | | | | | | | | | | | | | | | | | | | | | | | |
| A | 0L-B | GROUND | | | | | | | | | | | | | | | | | | | | | | | |
| B | 370B | 12 VOLT SUPPLY | | | | | | | | | | | | | | | | | | | | | | | |
|  <p>CONNECTOR 2 BUNK HARNESS TO HARNESS, LEFT REAR</p> <table border="1"> <thead> <tr><th colspan="3">TABLE OF CONTENTS</th></tr> <tr><th>CAVITY</th><th>CIRCUIT</th><th>FUNCTION</th></tr> </thead> <tbody> <tr><td>D</td><td>370-C</td><td>12 VOLT SUPPLY</td></tr> </tbody> </table> | TABLE OF CONTENTS | | | CAVITY | CIRCUIT | FUNCTION | D | 370-C | 12 VOLT SUPPLY |  <p>CONNECTOR 7 IN-LINE FUSE HOLDER</p> <table border="1"> <thead> <tr><th colspan="3">TABLE OF CONTENTS</th></tr> <tr><th>CAVITY</th><th>CIRCUIT</th><th>FUNCTION</th></tr> </thead> <tbody> <tr><td>A</td><td>375A</td><td>12 VOLT SUPPLY TO FUSE</td></tr> <tr><td>B</td><td>375B</td><td>PROTECTED LEAD TO SWITCH</td></tr> </tbody> </table> | TABLE OF CONTENTS | | | CAVITY | CIRCUIT | FUNCTION | A | 375A | 12 VOLT SUPPLY TO FUSE | B | 375B | PROTECTED LEAD TO SWITCH | | | |
| TABLE OF CONTENTS | | | | | | | | | | | | | | | | | | | | | | | | | |
| CAVITY | CIRCUIT | FUNCTION | | | | | | | | | | | | | | | | | | | | | | | |
| D | 370-C | 12 VOLT SUPPLY | | | | | | | | | | | | | | | | | | | | | | | |
| TABLE OF CONTENTS | | | | | | | | | | | | | | | | | | | | | | | | | |
| CAVITY | CIRCUIT | FUNCTION | | | | | | | | | | | | | | | | | | | | | | | |
| A | 375A | 12 VOLT SUPPLY TO FUSE | | | | | | | | | | | | | | | | | | | | | | | |
| B | 375B | PROTECTED LEAD TO SWITCH | | | | | | | | | | | | | | | | | | | | | | | |
|  <p>CONNECTOR 3 LEFT REAR HARNESS TO SWITCH</p> <table border="1"> <thead> <tr><th colspan="3">TABLE OF CONTENTS</th></tr> <tr><th>CAVITY</th><th>CIRCUIT</th><th>FUNCTION</th></tr> </thead> <tbody> <tr><td>1</td><td>370B</td><td>12 VOLT SUPPLY</td></tr> <tr><td>3</td><td>370A</td><td>12 VOLT SUPPLY</td></tr> </tbody> </table> | TABLE OF CONTENTS | | | CAVITY | CIRCUIT | FUNCTION | 1 | 370B | 12 VOLT SUPPLY | 3 | 370A | 12 VOLT SUPPLY |  <p>CONNECTOR 8 SINK FAUCETT SWITCH</p> <table border="1"> <thead> <tr><th colspan="3">TABLE OF CONTENTS</th></tr> <tr><th>CAVITY</th><th>CIRCUIT</th><th>FUNCTION</th></tr> </thead> <tbody> <tr><td>A</td><td>375B</td><td>PROTECTED LEAD TO SWITCH</td></tr> <tr><td>B</td><td>375C</td><td>SWITCH LEAD TO PUMP</td></tr> </tbody> </table> | TABLE OF CONTENTS | | | CAVITY | CIRCUIT | FUNCTION | A | 375B | PROTECTED LEAD TO SWITCH | B | 375C | SWITCH LEAD TO PUMP |
| TABLE OF CONTENTS | | | | | | | | | | | | | | | | | | | | | | | | | |
| CAVITY | CIRCUIT | FUNCTION | | | | | | | | | | | | | | | | | | | | | | | |
| 1 | 370B | 12 VOLT SUPPLY | | | | | | | | | | | | | | | | | | | | | | | |
| 3 | 370A | 12 VOLT SUPPLY | | | | | | | | | | | | | | | | | | | | | | | |
| TABLE OF CONTENTS | | | | | | | | | | | | | | | | | | | | | | | | | |
| CAVITY | CIRCUIT | FUNCTION | | | | | | | | | | | | | | | | | | | | | | | |
| A | 375B | PROTECTED LEAD TO SWITCH | | | | | | | | | | | | | | | | | | | | | | | |
| B | 375C | SWITCH LEAD TO PUMP | | | | | | | | | | | | | | | | | | | | | | | |
|  <p>CONNECTOR 4 SPLICE-IN CONNECTOR FOR SINK PUMP</p> <table border="1"> <thead> <tr><th colspan="3">TABLE OF CONTENTS</th></tr> <tr><th>CAVITY</th><th>CIRCUIT</th><th>FUNCTION</th></tr> </thead> <tbody> <tr><td>A</td><td>370B</td><td>12 VOLT SUPPLY</td></tr> <tr><td>B</td><td>0L-B</td><td>GROUND</td></tr> </tbody> </table> | TABLE OF CONTENTS | | | CAVITY | CIRCUIT | FUNCTION | A | 370B | 12 VOLT SUPPLY | B | 0L-B | GROUND |  <p>CONNECTOR 9 PUMP</p> <table border="1"> <thead> <tr><th colspan="3">TABLE OF CONTENTS</th></tr> <tr><th>CAVITY</th><th>CIRCUIT</th><th>FUNCTION</th></tr> </thead> <tbody> <tr><td>A</td><td>375C</td><td>SWITCH LEAD TO PUMP</td></tr> <tr><td>B</td><td>0L-B</td><td>GROUND</td></tr> </tbody> </table> | TABLE OF CONTENTS | | | CAVITY | CIRCUIT | FUNCTION | A | 375C | SWITCH LEAD TO PUMP | B | 0L-B | GROUND |
| TABLE OF CONTENTS | | | | | | | | | | | | | | | | | | | | | | | | | |
| CAVITY | CIRCUIT | FUNCTION | | | | | | | | | | | | | | | | | | | | | | | |
| A | 370B | 12 VOLT SUPPLY | | | | | | | | | | | | | | | | | | | | | | | |
| B | 0L-B | GROUND | | | | | | | | | | | | | | | | | | | | | | | |
| TABLE OF CONTENTS | | | | | | | | | | | | | | | | | | | | | | | | | |
| CAVITY | CIRCUIT | FUNCTION | | | | | | | | | | | | | | | | | | | | | | | |
| A | 375C | SWITCH LEAD TO PUMP | | | | | | | | | | | | | | | | | | | | | | | |
| B | 0L-B | GROUND | | | | | | | | | | | | | | | | | | | | | | | |
|  <p>CONNECTOR 5 SPLICE-IN CONNECTOR FOR SINK PUMP TO POWER SUPPLY LHS LOWER</p> <table border="1"> <thead> <tr><th colspan="3">TABLE OF CONTENTS</th></tr> <tr><th>CAVITY</th><th>CIRCUIT</th><th>FUNCTION</th></tr> </thead> <tbody> <tr><td>A</td><td>370B</td><td>12 VOLT SUPPLY</td></tr> <tr><td>B</td><td>0L-B</td><td>GROUND</td></tr> </tbody> </table> | TABLE OF CONTENTS | | | CAVITY | CIRCUIT | FUNCTION | A | 370B | 12 VOLT SUPPLY | B | 0L-B | GROUND |  <p>CONNECTOR 10 LEFT REAR HARNESS TO BUNK HARNESS</p> <table border="1"> <thead> <tr><th colspan="3">TABLE OF CONTENTS</th></tr> <tr><th>CAVITY</th><th>CIRCUIT</th><th>FUNCTION</th></tr> </thead> <tbody> <tr><td>F</td><td>0L-B</td><td>GROUND</td></tr> </tbody> </table> | TABLE OF CONTENTS | | | CAVITY | CIRCUIT | FUNCTION | F | 0L-B | GROUND | | | |
| TABLE OF CONTENTS | | | | | | | | | | | | | | | | | | | | | | | | | |
| CAVITY | CIRCUIT | FUNCTION | | | | | | | | | | | | | | | | | | | | | | | |
| A | 370B | 12 VOLT SUPPLY | | | | | | | | | | | | | | | | | | | | | | | |
| B | 0L-B | GROUND | | | | | | | | | | | | | | | | | | | | | | | |
| TABLE OF CONTENTS | | | | | | | | | | | | | | | | | | | | | | | | | |
| CAVITY | CIRCUIT | FUNCTION | | | | | | | | | | | | | | | | | | | | | | | |
| F | 0L-B | GROUND | | | | | | | | | | | | | | | | | | | | | | | |
|  <p>CONNECTOR 11 SPLICE PACK 0</p> <table border="1"> <thead> <tr><th colspan="3">TABLE OF CONTENTS</th></tr> <tr><th>CAVITY</th><th>CIRCUIT</th><th>FUNCTION</th></tr> </thead> <tbody> <tr><td>A</td><td>0</td><td>GROUND</td></tr> <tr><td>D</td><td>0L-B</td><td>GROUND</td></tr> </tbody> </table> | TABLE OF CONTENTS | | | CAVITY | CIRCUIT | FUNCTION | A | 0 | GROUND | D | 0L-B | GROUND | | | | | | | | | | | | | |
| TABLE OF CONTENTS | | | | | | | | | | | | | | | | | | | | | | | | | |
| CAVITY | CIRCUIT | FUNCTION | | | | | | | | | | | | | | | | | | | | | | | |
| A | 0 | GROUND | | | | | | | | | | | | | | | | | | | | | | | |
| D | 0L-B | GROUND | | | | | | | | | | | | | | | | | | | | | | | |



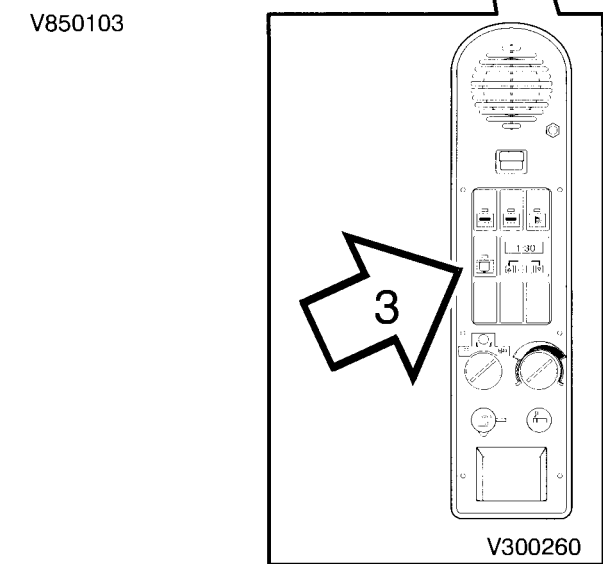
CHANGE HISTORY

| DESCRIPTION |
|-------------|
| |
| |
| |
| |
| |
| |
| |
| |
| |
| |



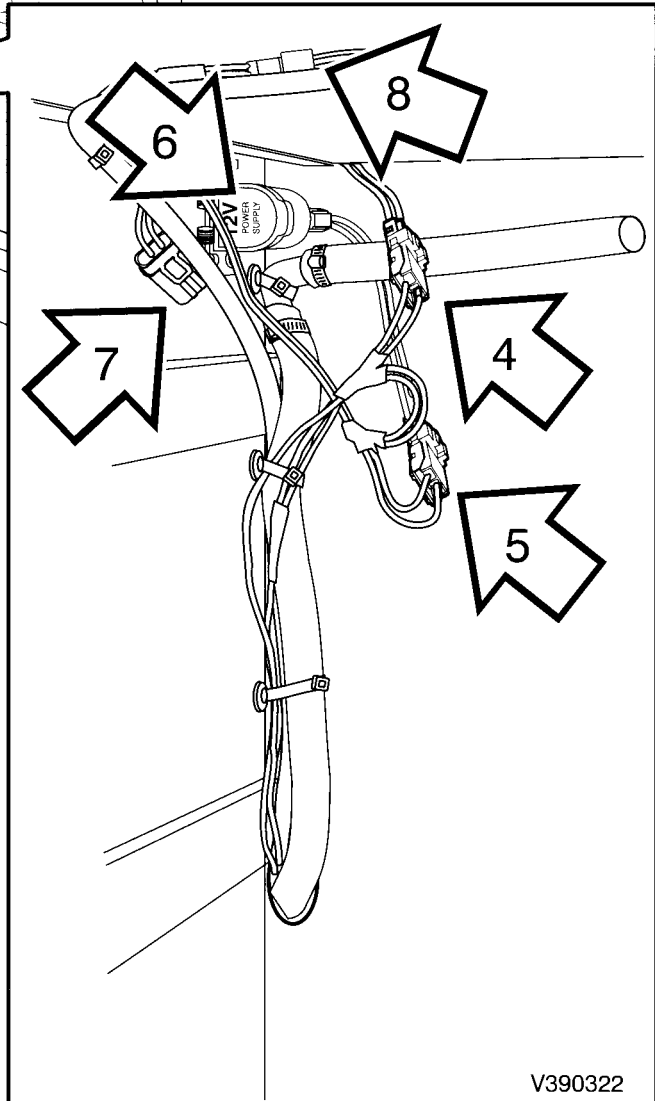


V390293



V850103

V300260



V390322