

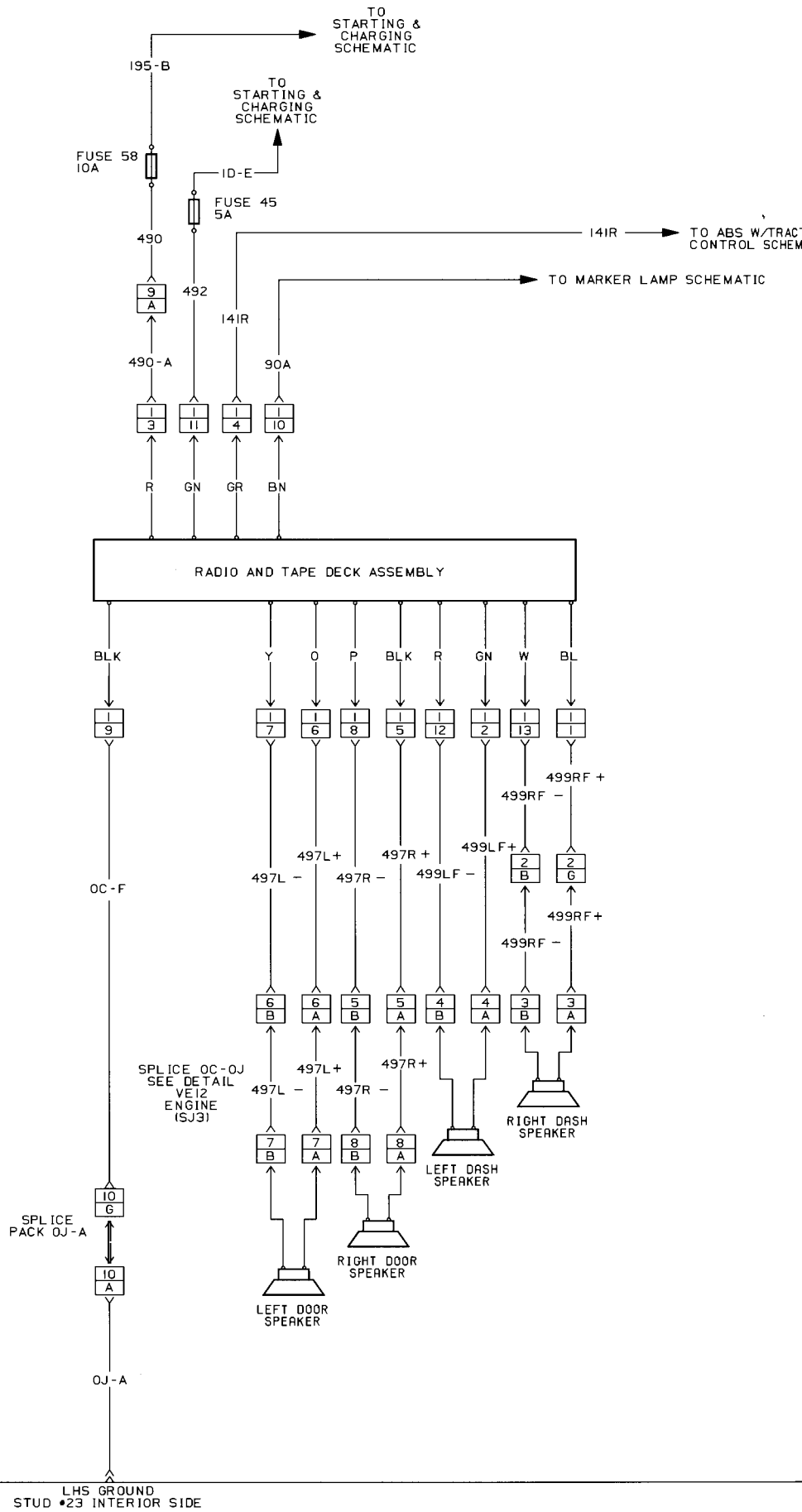
Service Manual Trucks

Group 37

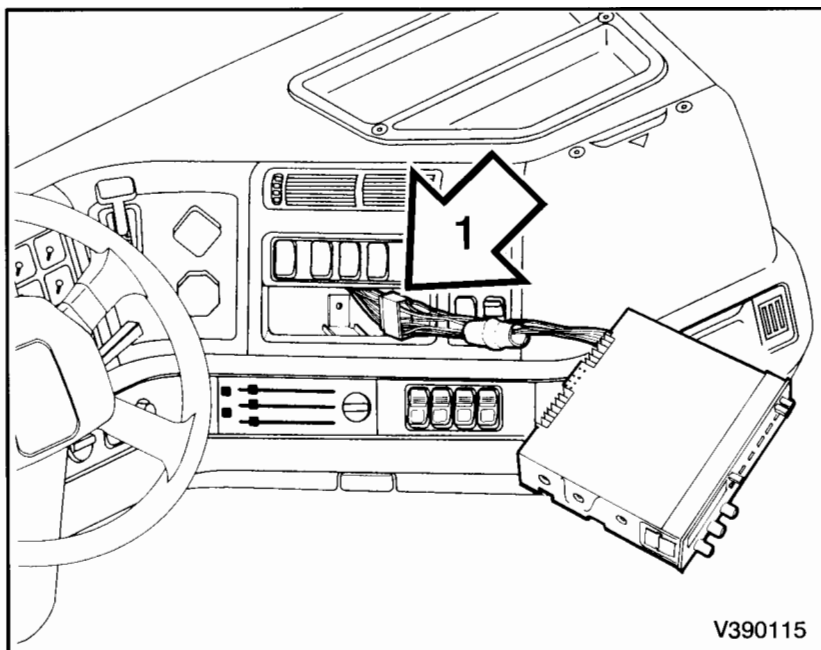
Electrical Schematic:
Radio (in-dash) 4 Speakers,
Detroit Diesel with Optimized Idle

VNL, VNM

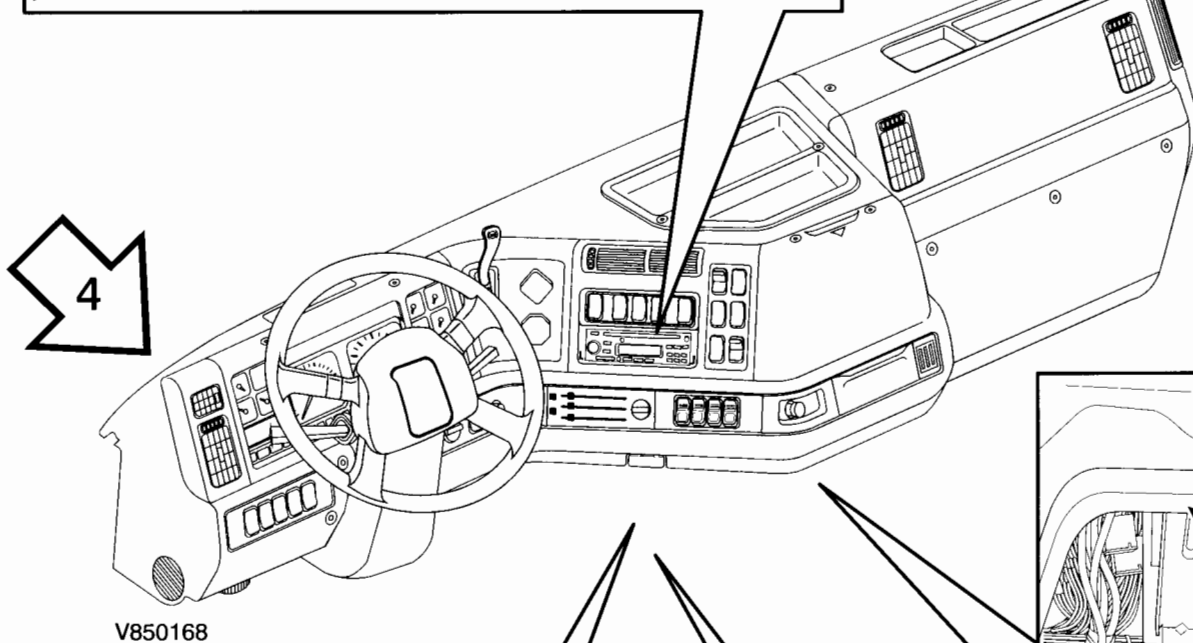
From Build Date 8.98



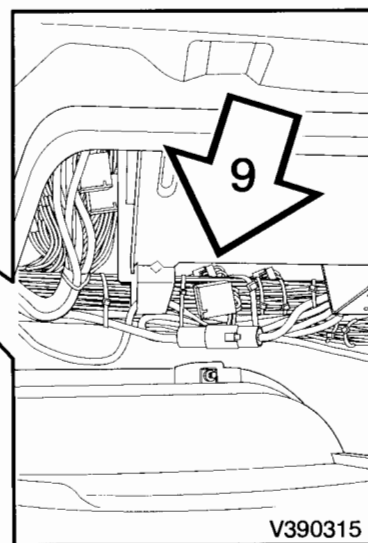
Radio (in-Dash) 4 Speakers, Detroit Diesel with Optimized Idle - VNL



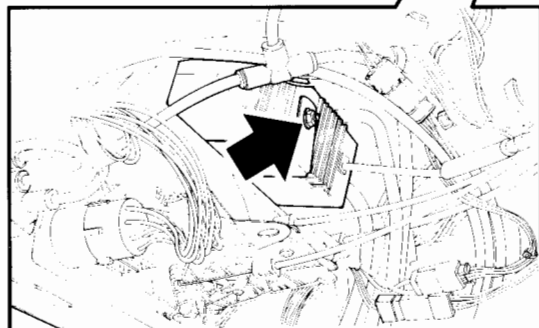
V390115



V850168



V390315



V390330

NOTE: Mounting bolt must be removed to remove radio from dash V390151