

# Service Manual Trucks

Group **37**

Electrical Schematic:  
Radio/CD (in-dash),  
Amp and Speakers

VN 770 Sleeper

From Build Date 2.98



CONNECTOR AND SPLICE INFORMATION  
CONNECTORS VIEWED FROM CABLE ENTRY

CONNECTOR 1 (OPTIONAL CONNECTOR 1)  
ON MAIN CAB HARNESS

TABLE OF CONTENTS		
CAVITY	CIRCUIT	FUNCTION
A	490	12 VOLT SUPPLY

CONNECTOR 2 (OPTIONAL CONNECTOR 2)  
ON MAIN CAB HARNESS

TABLE OF CONTENTS		
CAVITY	CIRCUIT	FUNCTION
A	490	12 VOLT SUPPLY

CONNECTOR 3  
AMPLIFIER HARNESS (DASH) TO CAB HARN

TABLE OF CONTENTS		
CAVITY	CIRCUIT	FUNCTION
1	499RF+	+ RHS DASH SPEAKER
2	499LF+	+ LHS DASH SPEAKER
3	490-A	12 VOLT SUPPLY
4	141R	DIMMER CONTROL
5	497R+	+RHS DOOR SPKR(FRT)
6	497L+	+LHS DOOR SPKR(FRT)
7	497L-	- LHS DOOR SPEAKER
8	497R-	- RHS DOOR SPEAKER
9	OC	GROUND
10	90A	LIGHT CONTROL
11	492	12 VOLT SUPPLY
12	499LF-	- LHS DASH SPEAKER
13	499RF-	- RHS DASH SPEAKER

CONNECTOR 4  
AMPLIFIER HARNESS (DASH) TO RADIO

TABLE OF CONTENTS		
CAVITY	CIRCUIT	FUNCTION
1	499RA	+ RHS DASH SPEAKER
2	499LA	+ LHS DASH SPEAKER
3	490	12 VOLT SUPPLY
4	141	DIMMER CONTROL
5	498RA	+ RHS DOOR SPEAKER
6	498LA	+ LHS DOOR SPEAKER
7	498LB	- LHS DOOR SPEAKER
8	498RB	- RHS DOOR SPEAKER
9	OC	GROUND
10	90A	LIGHT CONTROL
11	492	12 VOLT SUPPLY
12	499LB	- LHS DASH SPEAKER
13	499RB	- RHS DASH SPEAKER

CONNECTOR 5  
AMPLIFIER HARNESS TO AMPLIFIER

TABLE OF CONTENTS		
CAVITY	CIRCUIT	FUNCTION
E1	499RA	+ RHS FRONT INPUT
E2	499LA	+ LHS FRONT INPUT
E3	499LB	- LHS FRONT INPUT
E4	498RB	- RHS REAR INPUT
E5	498RA	+ RHS REAR INPUT
E6	498LA	+ LHS REAR INPUT
E7	498LB	- LHS REAR INPUT
E8	OC	GROUND
E9	OC	GROUND
E11	490	12 VOLT SUPPLY
E12	490	12 VOLT SUPPLY
E13	L4+	+ LHS DASH SPKR
E14	L4-	- LHS DASH SPKR
E15	L6+	+ LHS DOOR SPKR
E16	L6-	- LHS DOOR SPKR
F1	499RB	- RHS FRONT INPUT
F2	R4+	+ RHS DASH SPKR
F3	R4-	- RHS DASH SPKR
F4	S2-	- SUBWOOFER COIL (2)
F5	S2+	+ SUBWOOFER COIL (2)
F6	R6+	+ RHS DOOR SPKR
F7	R6-	- RHS DOOR SPKR
F10	SI-	- SUBWOOFER COIL (I)
F11	SI+	+ SUBWOOFER COIL (I)
F13	R+	+ RHS REAR SPKR
F14	R-	- RHS REAR SPKR
F15	L+	+ LHS REAR SPKR
F16	L-	- LHS REAR SPKR

CONNECTOR 8  
MAIN CAB HARNESS  
TO OVERHEAD HARNESS

TABLE OF CONTENTS		
CAVITY	CIRCUIT	FUNCTION
B	499RF-	- RHS FRONT SPKR
G	499RF+	+ RHS FRONT SPKR

CONNECTOR 7  
JUMPER HARNESS TO SPEAKER

TABLE OF CONTENTS		
CAVITY	CIRCUIT	FUNCTION
A	497L+	+ LHS FRONT SPKR
B	497L-	- LHS FRONT SPKR

CONNECTOR 8  
JUMPER HARNESS TO SPEAKER

TABLE OF CONTENTS		
CAVITY	CIRCUIT	FUNCTION
A	497R+	+ RHS FRONT SPKR
B	497R-	- RHS FRONT SPKR

CONNECTOR 9  
LEFT FRONT SPEAKER

TABLE OF CONTENTS		
CAVITY	CIRCUIT	FUNCTION
A	499LF+	+ LHS FRONT SPKR
B	499LF-	- LHS FRONT SPKR

CONNECTOR 10  
RIGHT FRONT SPEAKER

TABLE OF CONTENTS		
CAVITY	CIRCUIT	FUNCTION
A	499RA	+ RHS FRONT SPKR
B	499RB	- RHS FRONT SPKR

CONNECTOR 11  
LEFT DOOR SPEAKER

TABLE OF CONTENTS		
CAVITY	CIRCUIT	FUNCTION
A	L+	+ LHS FRONT SPKR
B	L-	- LHS FRONT SPKR

CONNECTOR 12  
RIGHT DOOR SPEAKER

TABLE OF CONTENTS		
CAVITY	CIRCUIT	FUNCTION
A	R+	+ RHS FRONT SPKR
B	R-	- RHS FRONT SPKR

CONNECTOR 13  
AMPLIFIER HARNESS (OVERHEAD) TO  
OVERHEAD HARNESS

TABLE OF CONTENTS		
CAVITY	CIRCUIT	FUNCTION
1	498RA	+ RHS REAR SPEAKER
2	498LA	+ LHS REAR SPEAKER
3	S2+	+ SUBWOOFER SPKR
4	SI+	+ SUBWOOFER SPKR
5	R+	+ RHS REAR SPEAKER
6	L+	+ LHS REAR SPEAKER
7	L-	- LHS REAR SPEAKER
8	R-	- RHS REAR SPEAKER
9	SI-	- SUBWOOFER SPKR
11	S2-	- SUBWOOFER SPKR
12	498LB	- LHS REAR SPEAKER
13	498RB	- RHS REAR SPEAKER

CONNECTOR 14  
LEFT RR LAMP HARNESS  
TO FRT OVERHEAD HARNESS

TABLE OF CONTENTS		
CAVITY	CIRCUIT	FUNCTION
A	L+	+ LHS REAR SPKR
H	L-	- LHS REAR SPKR

CONNECTOR 15  
LOWER RIGHT SPEAKER

TABLE OF CONTENTS		
CAVITY	CIRCUIT	FUNCTION
B	R+	+ RHS REAR SPKR
E	R-	- RHS REAR SPKR

CONNECTOR 18  
FRONT OVERHEAD HARNESS TO  
RIGHT REAR OVERHEAD HARNESS

TABLE OF CONTENTS		
CAVITY	CIRCUIT	FUNCTION
A	498LA	+ LHS REAR SPKR
B	498RA	+ RHS REAR SPKR
C	SI+	+ REAR SPEAKER
D	S2+	+ REAR SPEAKER
E	S2-	- REAR SPEAKER
F	SI-	- REAR SPEAKER
G	498RB	- RHS REAR SPKR
H	498LB	- LHS REAR SPKR

CONNECTOR 17  
LOWER LEFT SPEAKER

TABLE OF CONTENTS		
CAVITY	CIRCUIT	FUNCTION
A	L+	+ LHS REAR SPKR
B	L-	- LHS REAR SPKR

CONNECTOR 18  
LOWER RIGHT SPEAKER

TABLE OF CONTENTS		
CAVITY	CIRCUIT	FUNCTION
A	R+	+ RHS REAR SPKR
B	R-	- RHS REAR SPKR

CONNECTOR 19  
AMPLIFIER HARNESS (DASH) TO  
AMPLIFIER HARNESS (OVERHEAD)

TABLE OF CONTENTS		
CAVITY	CIRCUIT	FUNCTION
1	R4+	+ RHS DASH SPKR
2	L4+	+ LHS DASH SPKR
3	499RA	+ RHS FRONT INPUT
4	499LA	+ LHS FRONT INPUT
5	R6+	+ RHS DOOR SPKR
6	L6+	+ LHS DOOR SPKR
7	L6-	- LHS DOOR SPKR
8	R6-	- RHS DOOR SPKR
9	499LB	- LHS FRONT INPUT
11	499RB	- RHS REAR INPUT
12	L4-	- LHS DASH SPKR
13	R4-	- RHS DASH SPKR

CONNECTOR 20  
RIGHT REAR OVERHEAD  
HARNESS TO SPEAKER

TABLE OF CONTENTS		
CAVITY	CIRCUIT	FUNCTION
A	SI+	+ SUBWOOFER SPKR
B	S2+	+ SUBWOOFER SPKR
C	S2-	- SUBWOOFER SPKR
F	SI-	- SUBWOOFER SPKR

CONNECTOR 21  
JUMPER HARNESS TO AMPLIFIER

TABLE OF CONTENTS		
CAVITY	CIRCUIT	FUNCTION
A	498LA	+ LHS REAR SPKR
B	498LB	- LHS REAR SPKR
C	498RA	+ RHS REAR SPKR
D	498RB	- RHS REAR SPKR

CONNECTOR 22  
UPPER LEFT SPEAKER

TABLE OF CONTENTS		
CAVITY	CIRCUIT	FUNCTION
A	498LA	+ LHS REAR SPKR
B	498LB	- LHS REAR SPKR

CONNECTOR 23  
UPPER RIGHT SPEAKER

TABLE OF CONTENTS		
CAVITY	CIRCUIT	FUNCTION
A	498RA	+ RHS REAR SPKR
B	498RB	- RHS REAR SPKR

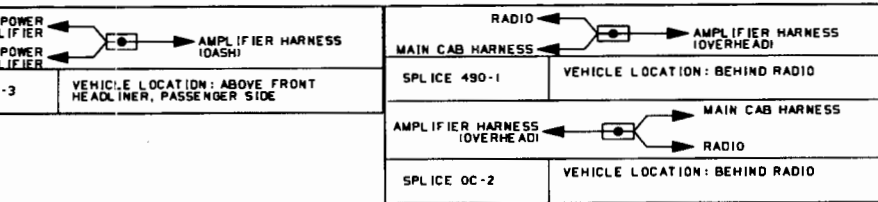
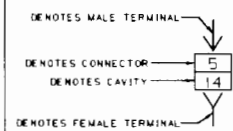
CONNECTOR 24  
AMPLIFIER HARNESS (DASH) TO  
AMPLIFIER HARNESS (OVERHEAD)

TABLE OF CONTENTS		
CAVITY	CIRCUIT	FUNCTION
A	490	12 VOLT SUPPLY
B	498LA	+ LHS REAR INPUT
C	498LB	- LHS REAR INPUT
D	498RA	+ RHS REAR INPUT
E	498RB	- RHS REAR INPUT
H	OC	GROUND

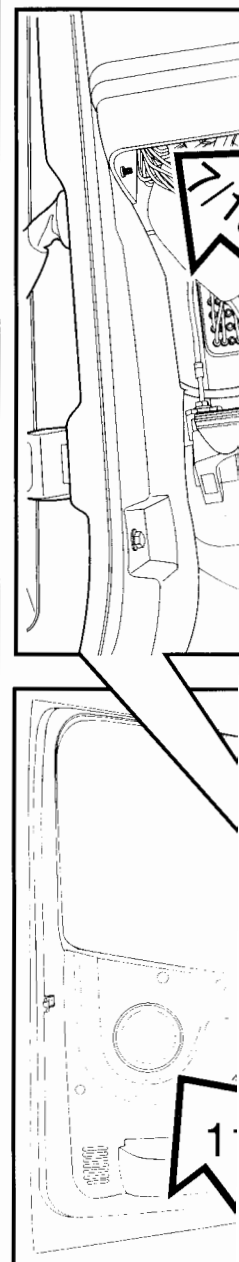
CONNECTOR 25  
SPLICE PACK OJ-A

TABLE OF CONTENTS		
CAVITY	CIRCUIT	FUNCTION
A	OJ-A	GROUND
G	OC-F	GROUND

SYMBOL DEFINITION

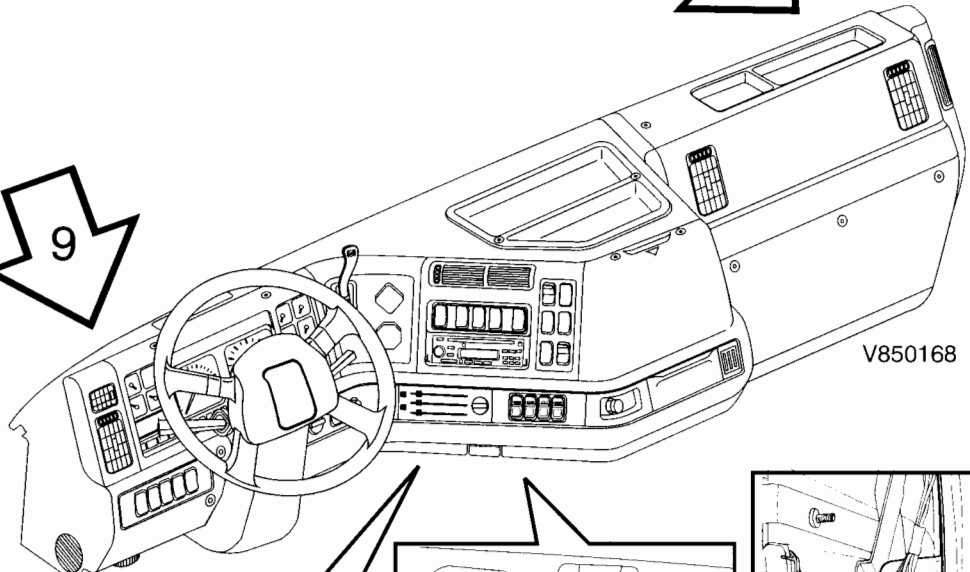
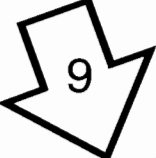
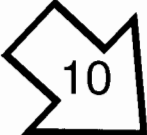


EFFECTIVE DATE	DESCRIPTION
8/98	CORRECTED GRA

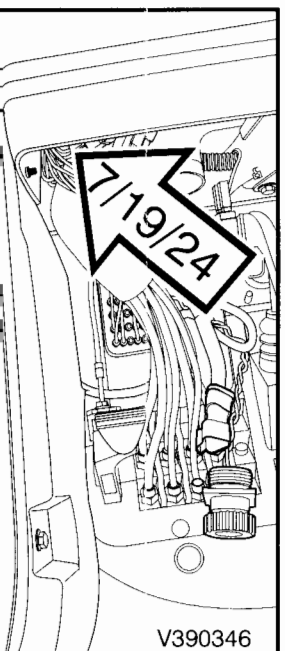


CHANGE HISTORY

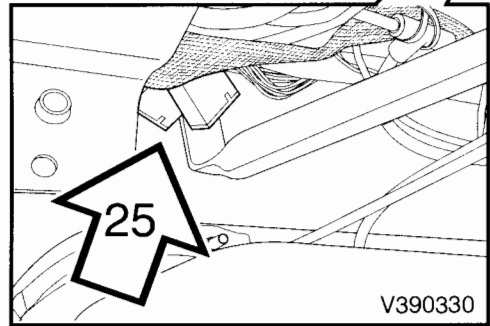
DESCRIPTION
CORRECTED GRAPHIC V390473



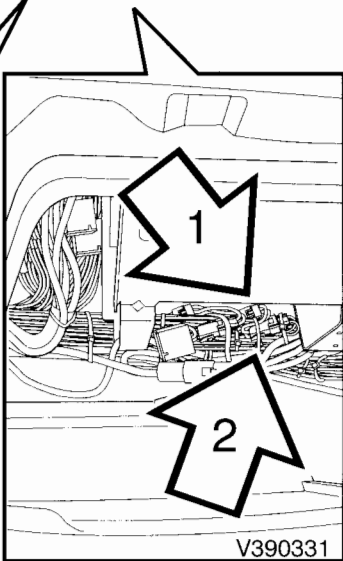
V850168



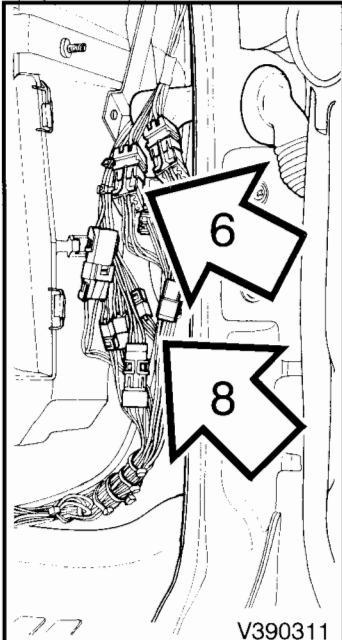
V390346



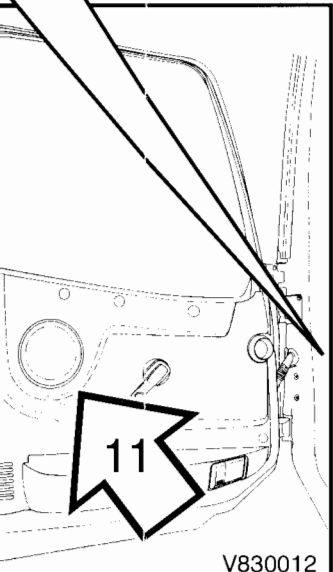
V390330



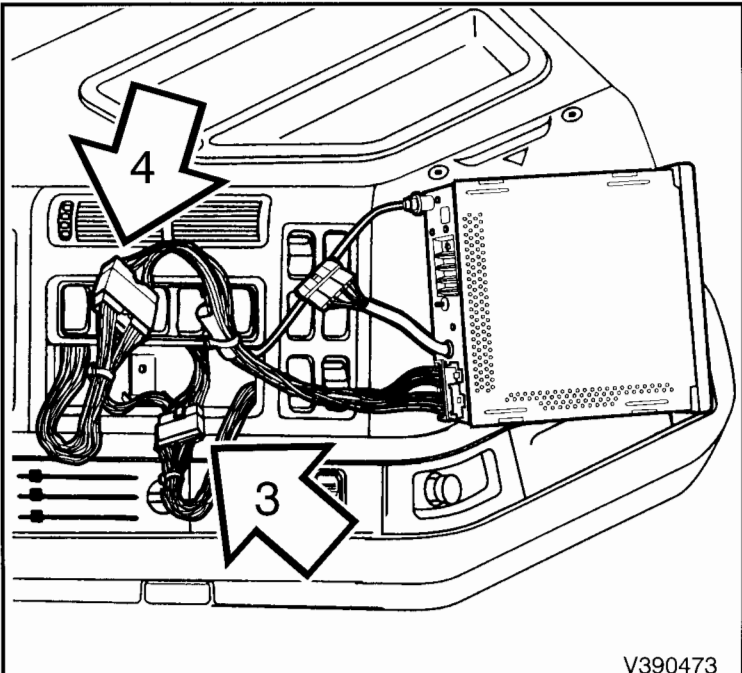
V390331



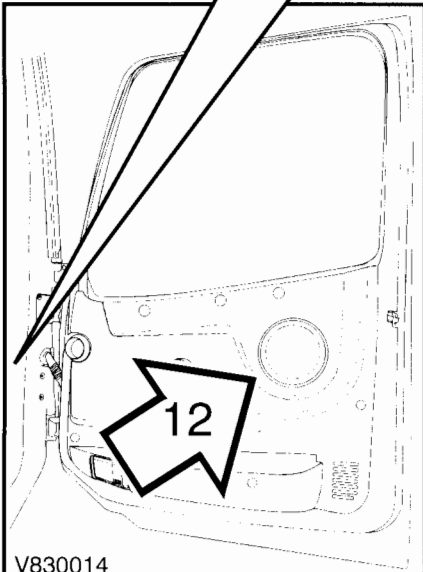
V390311



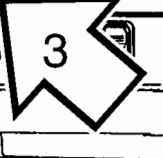
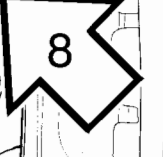
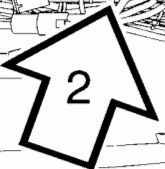
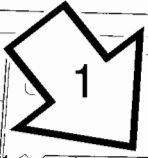
V830012

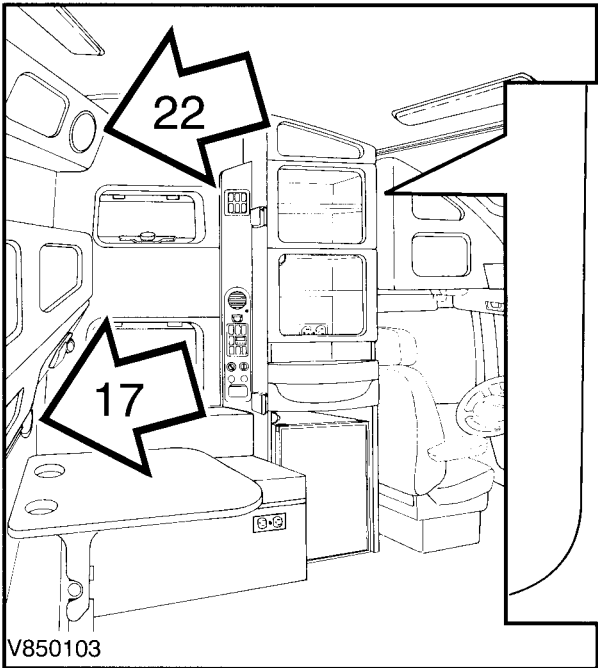


V390473

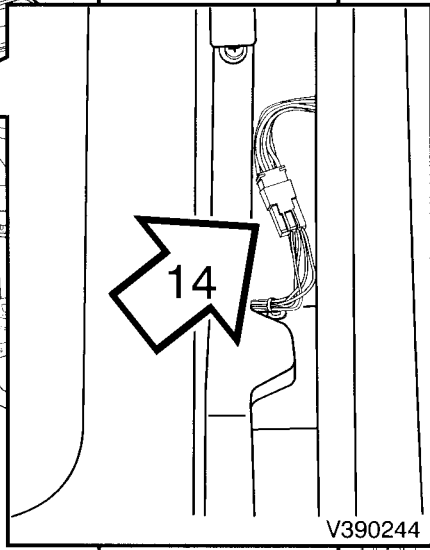


V830014

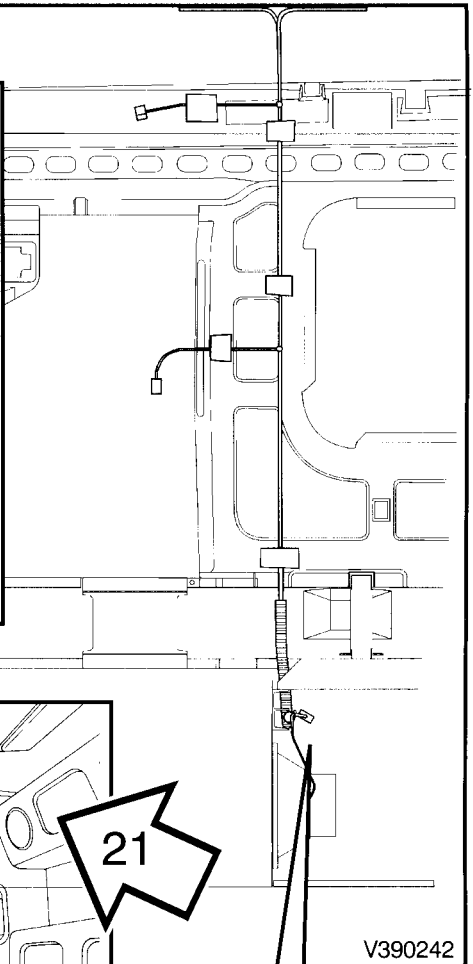




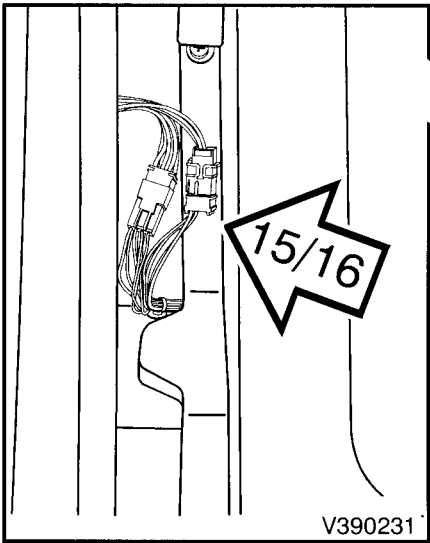
V850103



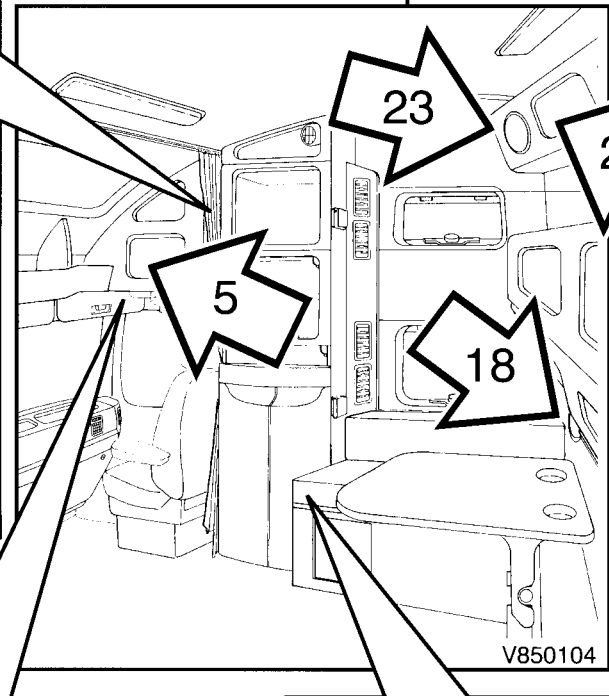
V390244



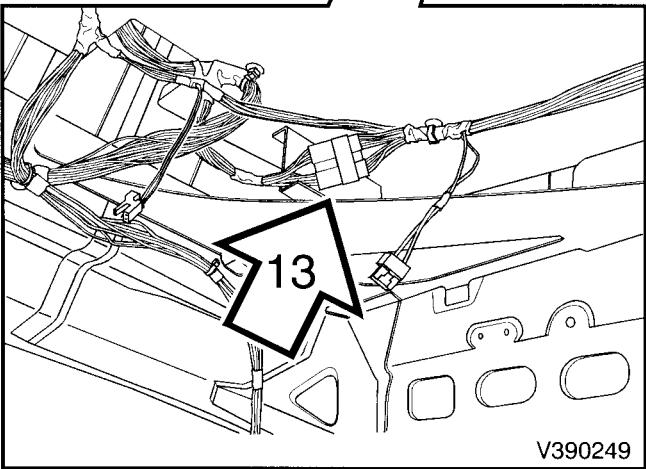
V390242



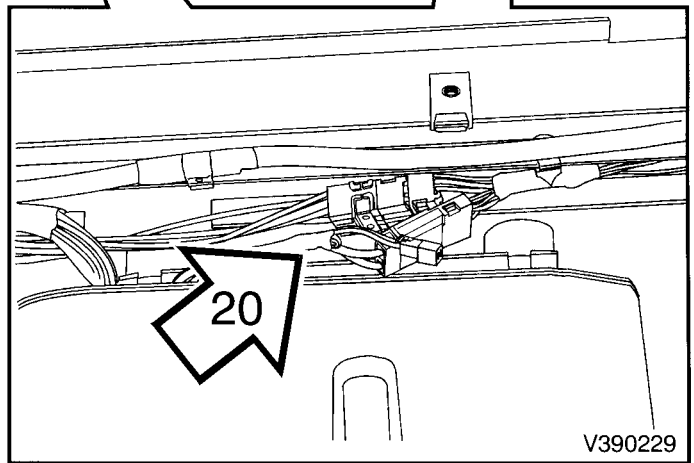
V390231



V850104



V390249



V390229