

Service Manual Trucks

Group **37**

Electrical Schematic:

In-dash Radio,

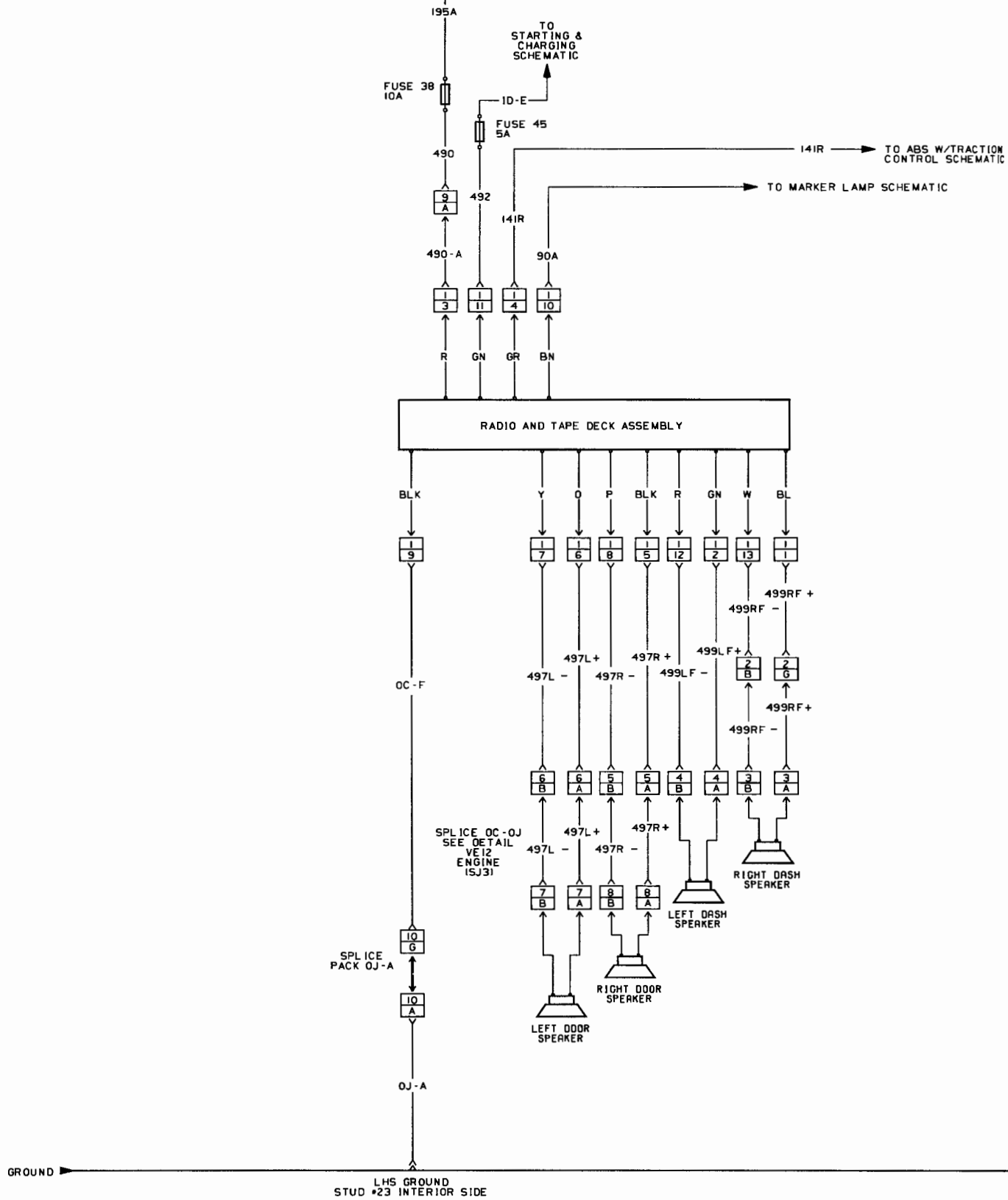
4 Speakers

VNL, VNM

From Build Date 2.98



BATTERY 12 VOLT
 IGNITION 12 VOLT
 ACCESSORY 12 VOLT



Radio in Dash, 4 Speakers - VNL, VNM

**CONNECTOR AND SPLICE INFORMATION
CONNECTORS VIEWED FROM CABLE ENTRY**

**CONNECTOR 1
MAIN CAB TO RADIO**

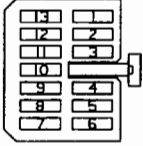


TABLE OF CONTENTS		
CAVITY	CIRCUIT	FUNCTION
1	499RF	RHS DASH SPEAKER
2	499LF	LHS DASH SPEAKER
3	490-A	12 VOLT SUPPLY
4	141R	DIMMER CONTROL
5	497R	RHS DOOR SPEAKER
6	497L	LHS DOOR SPEAKER
7	497L	LHS DOOR SPEAKER
8	497R	RHS DOOR SPEAKER
9	OC-F	GROUND
10	90A	LIGHT CONTROL
11	492	12 VOLT SUPPLY
12	499LF	LHS DASH SPEAKER
13	499RF	RHS DASH SPEAKER

**CONNECTOR 8
LEFT DOOR SPEAKER**



TABLE OF CONTENTS		
CAVITY	CIRCUIT	FUNCTION
A	497L	LHS DOOR SPEAKER
B	497L	LHS DOOR SPEAKER

**CONNECTOR 7
LEFT DOOR SPEAKER**

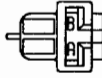


TABLE OF CONTENTS		
CAVITY	CIRCUIT	FUNCTION
A	L	LHS DOOR SPEAKER
B	L	LHS DOOR SPEAKER

**CONNECTOR 2
MAIN CAB HARNESS
TO OVERHEAD HARNESS**



TABLE OF CONTENTS		
CAVITY	CIRCUIT	FUNCTION
B	499RF	RHS DASH SPEAKER
G	499RF	RHS DASH SPEAKER

**CONNECTOR 8
RIGHT DOOR SPEAKER**

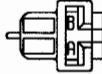


TABLE OF CONTENTS		
CAVITY	CIRCUIT	FUNCTION
A	R	RHS DOOR SPEAKER
B	R	RHS DOOR SPEAKER

**CONNECTOR 3
RIGHT FRONT DASH SPEAKER**

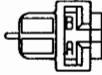


TABLE OF CONTENTS		
CAVITY	CIRCUIT	FUNCTION
A	499RF	RHS DASH SPEAKER
B	499RF	RHS DASH SPEAKER

**CONNECTOR 9
OPTION CONNECTOR 1**



TABLE OF CONTENTS		
CAVITY	CIRCUIT	FUNCTION
A	490	12 VOLT SUPPLY

**CONNECTOR 4
LEFT FRONT DASH SPEAKER**

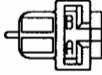


TABLE OF CONTENTS		
CAVITY	CIRCUIT	FUNCTION
A	499LF	LHS DASH SPEAKER
B	499LF	LHS DASH SPEAKER

**CONNECTOR 10
SPLICE PACK OJ-A**

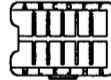


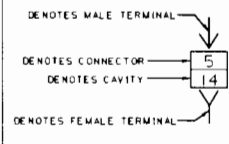
TABLE OF CONTENTS		
CAVITY	CIRCUIT	FUNCTION
A	OJ-A	GROUND
G	OC-F	GROUND

**CONNECTOR 5
RIGHT DOOR SPEAKER**

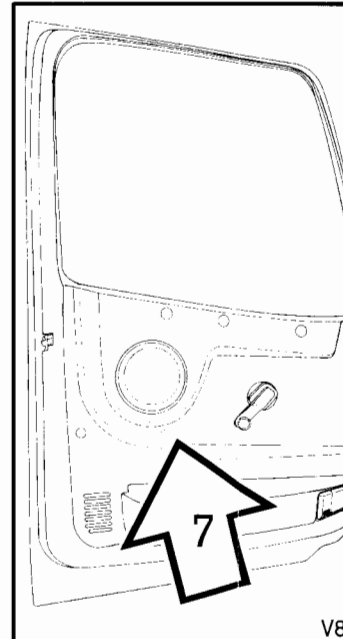


TABLE OF CONTENTS		
CAVITY	CIRCUIT	FUNCTION
A	497R	RHS DOOR SPEAKER
B	497R	RHS DOOR SPEAKER

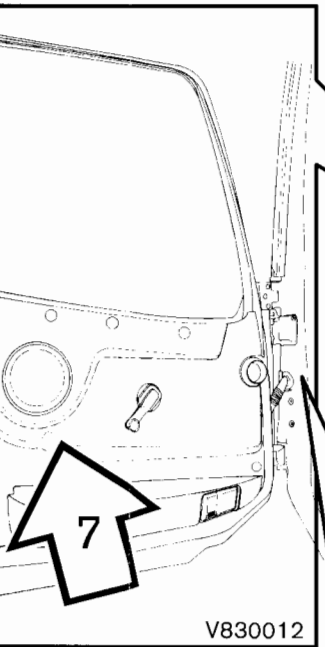
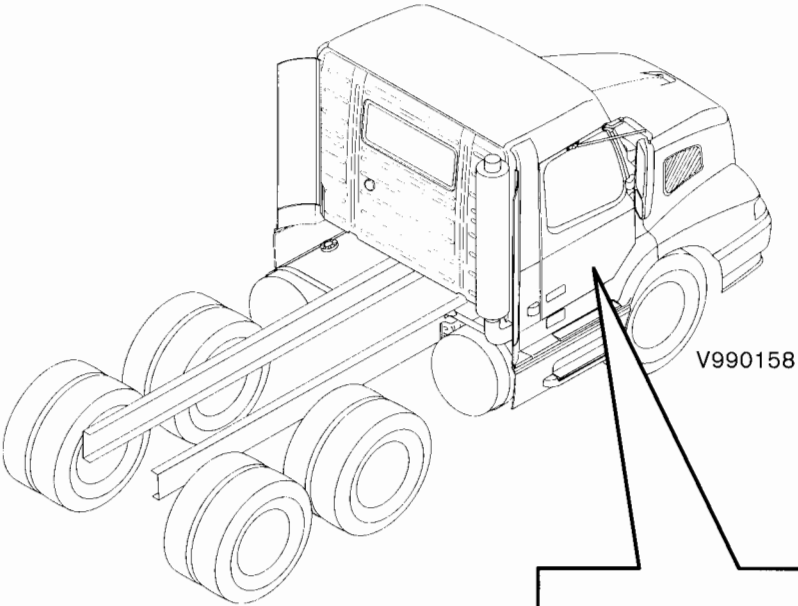
SYMBOL DEFINITION



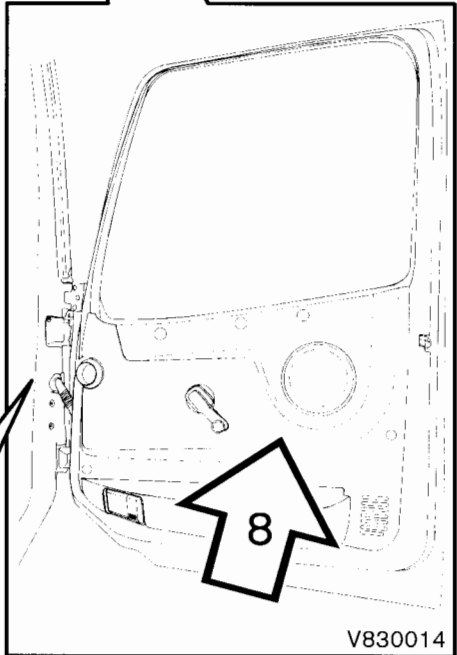
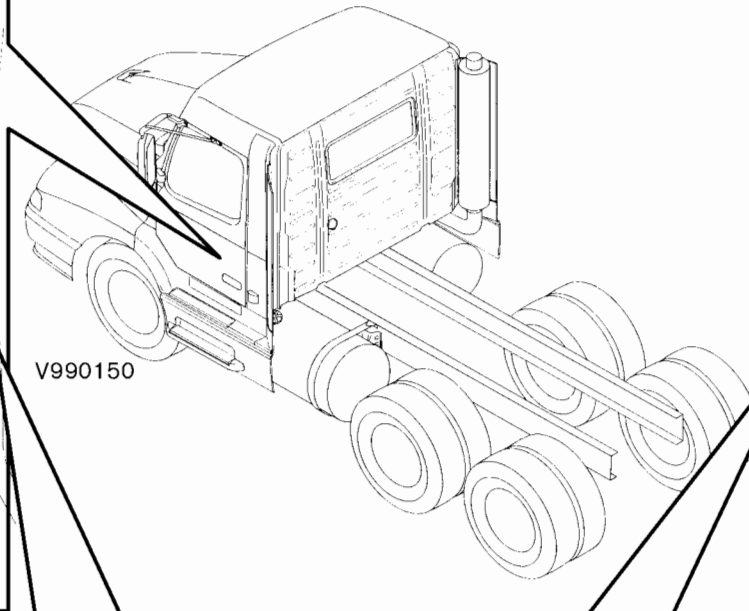
EFFECTIVE DATE	DESCRIPTION



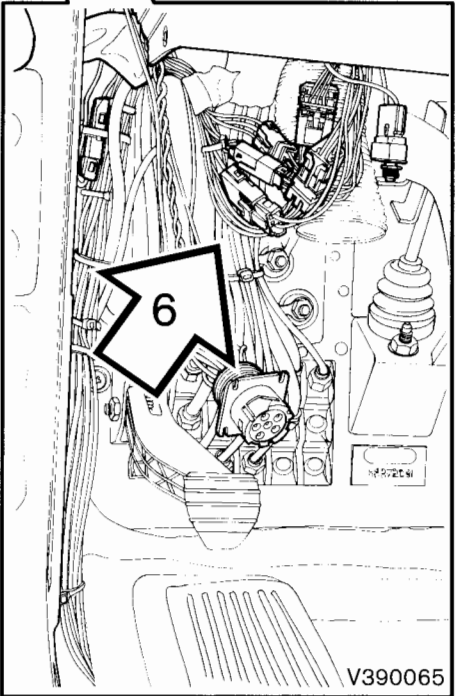
CHANGE HISTORY
DESCRIPTION



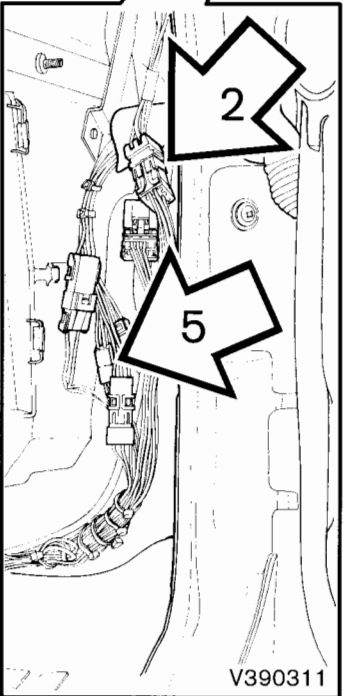
V830012



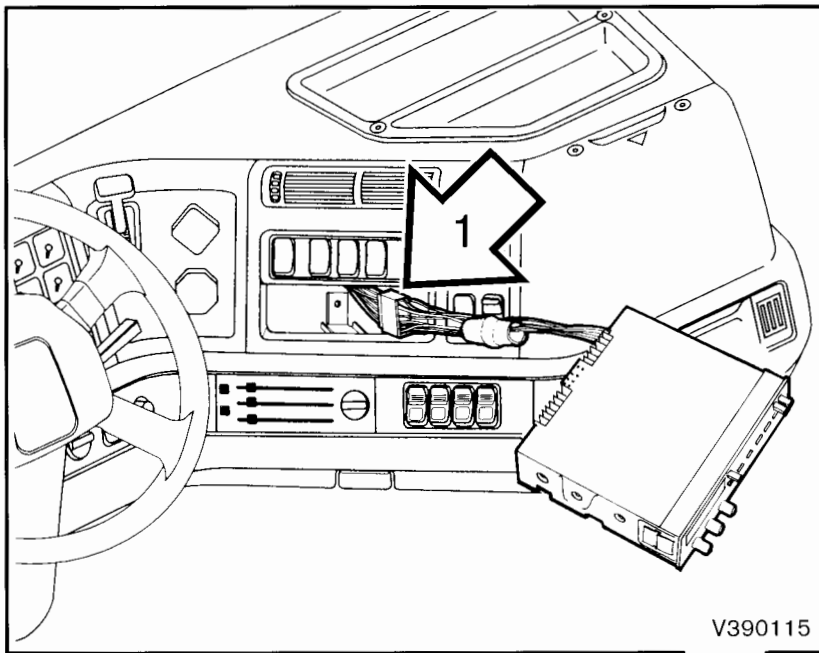
V830014



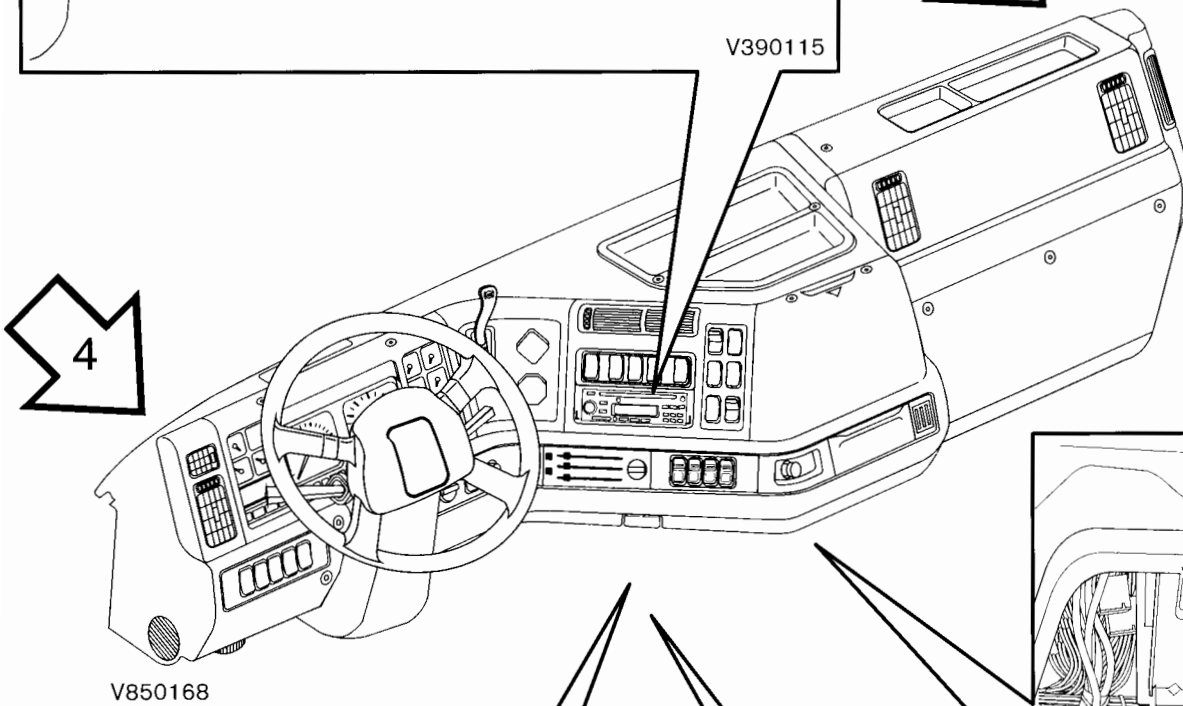
V390065



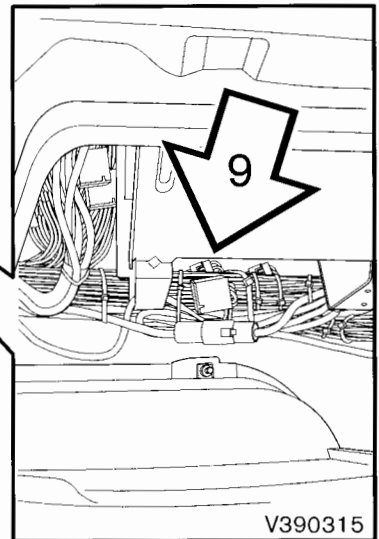
V390311



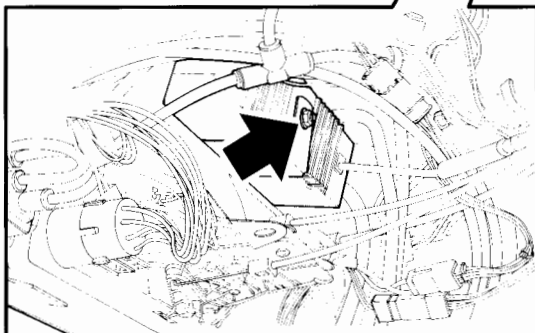
V390115



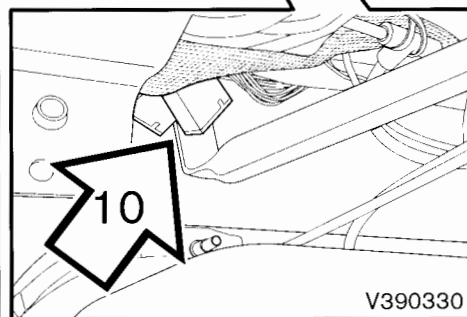
V850168



V390315



NOTE: Mounting bolt must be removed to remove radio from dash V390151



V390330