

# Service Manual Trucks

Group **37**

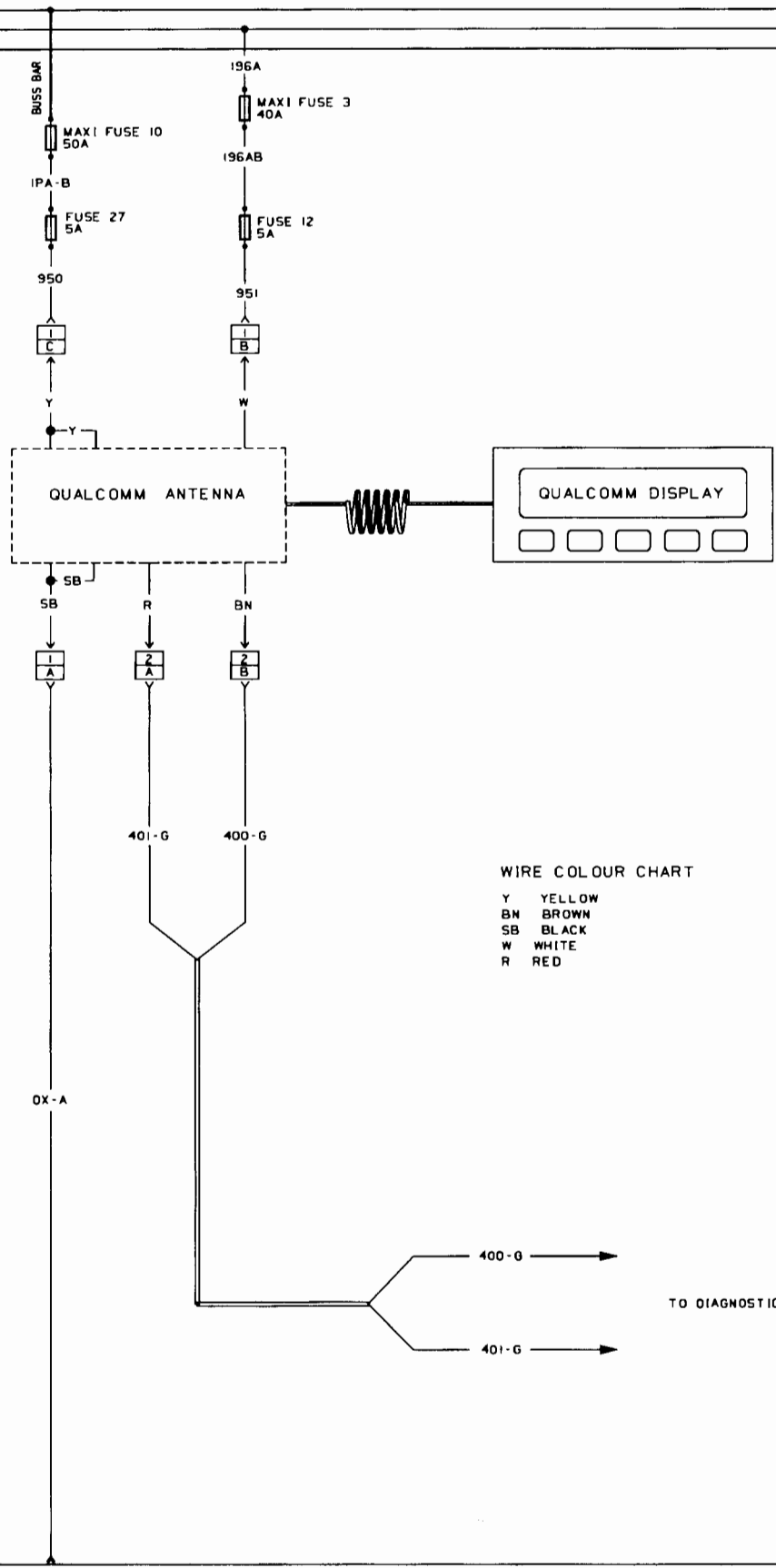
Electrical Schematic:

Qual Comm

VNL, VNM

From Build Date 2.98

BATTERY 12 VOLT  
 IGNITION 12 VOLT  
 ACCESSORY 12 VOLT



WIRE COLOUR CHART  
 Y YELLOW  
 BN BROWN  
 SB BLACK  
 W WHITE  
 R RED

TO DIAGNOSTIC SCHEMATIC

GROUND

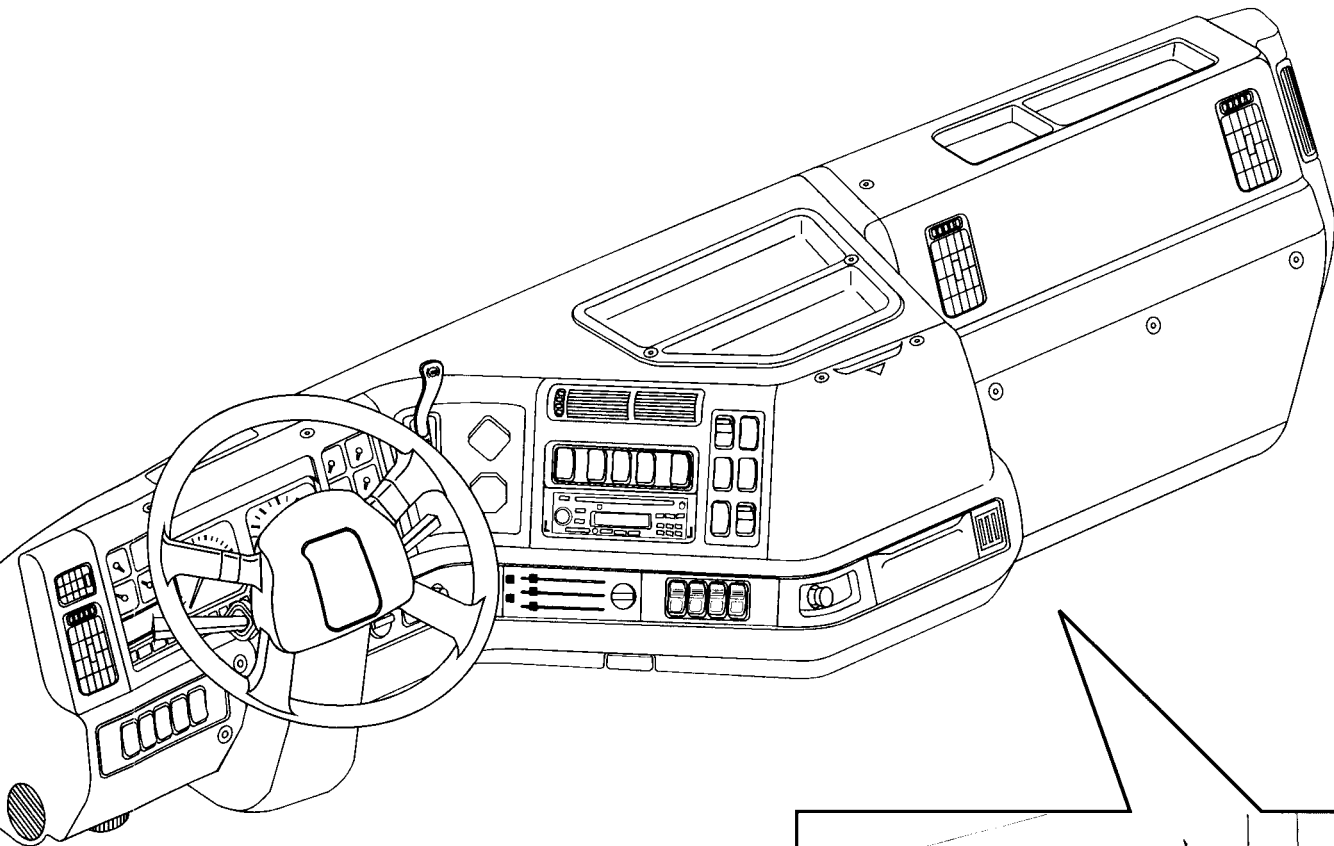
LHS GROUND  
 STUD #18 INTERIOR SIDE

# Qual Comm - VNL, VNM

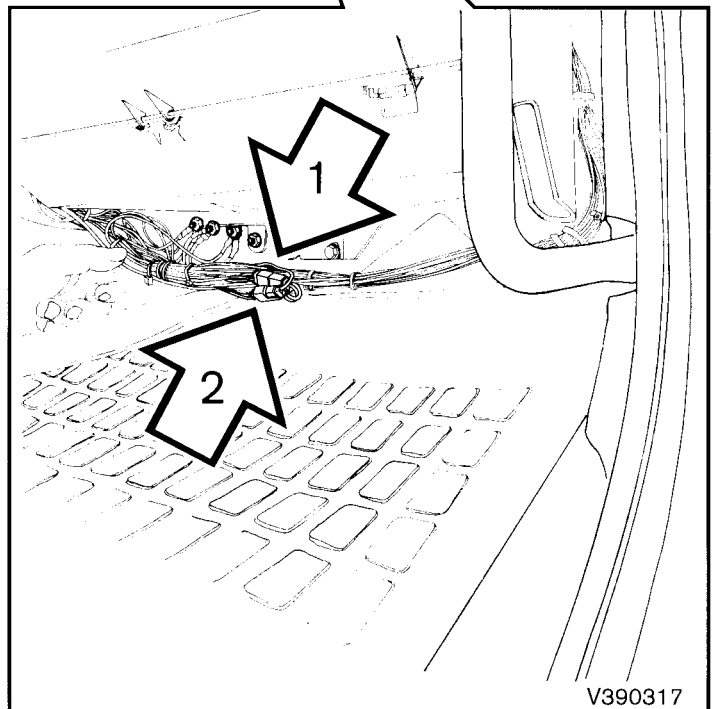


CHANGE HISTORY

DESCRIPTION



168



V390317