

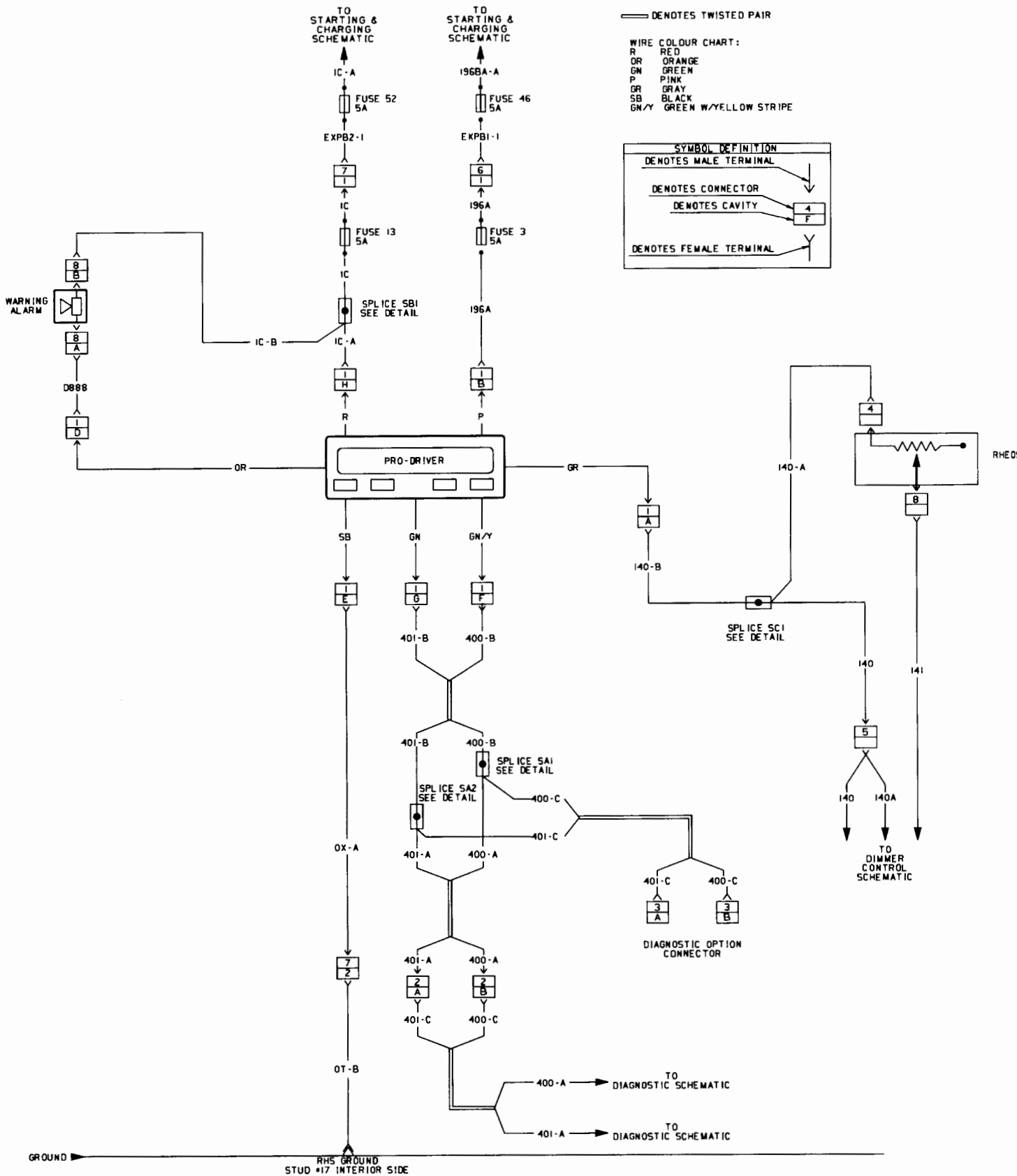
Service Manual Trucks

Group **37**

Electrical Schematic:
Pro-Driver Display

VNL, VNM

From Build Date 2.98



Pro-Driver Display - VNL, VNM

