

# Service Manual Trucks

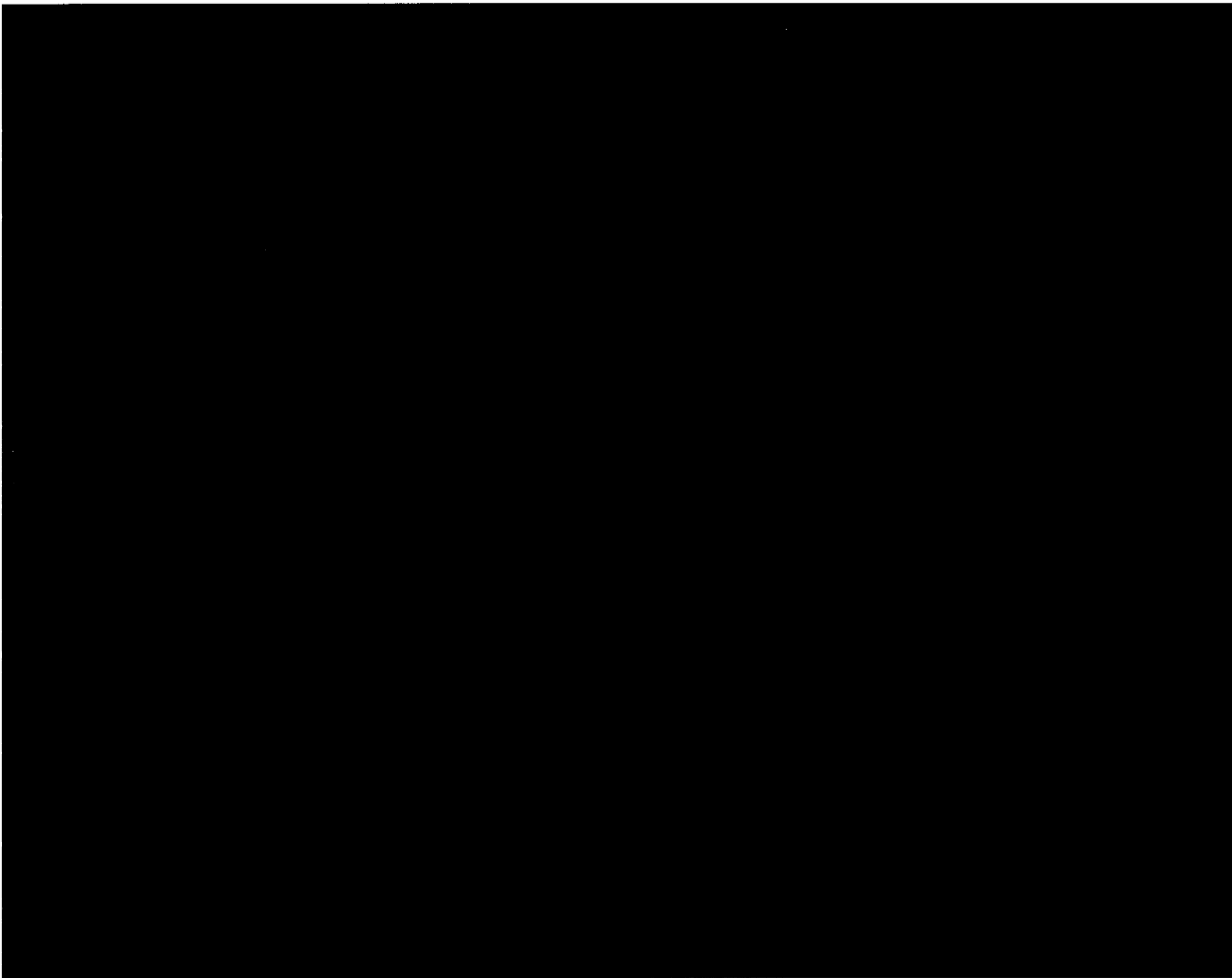
Group **37**

Electrical Schematic:

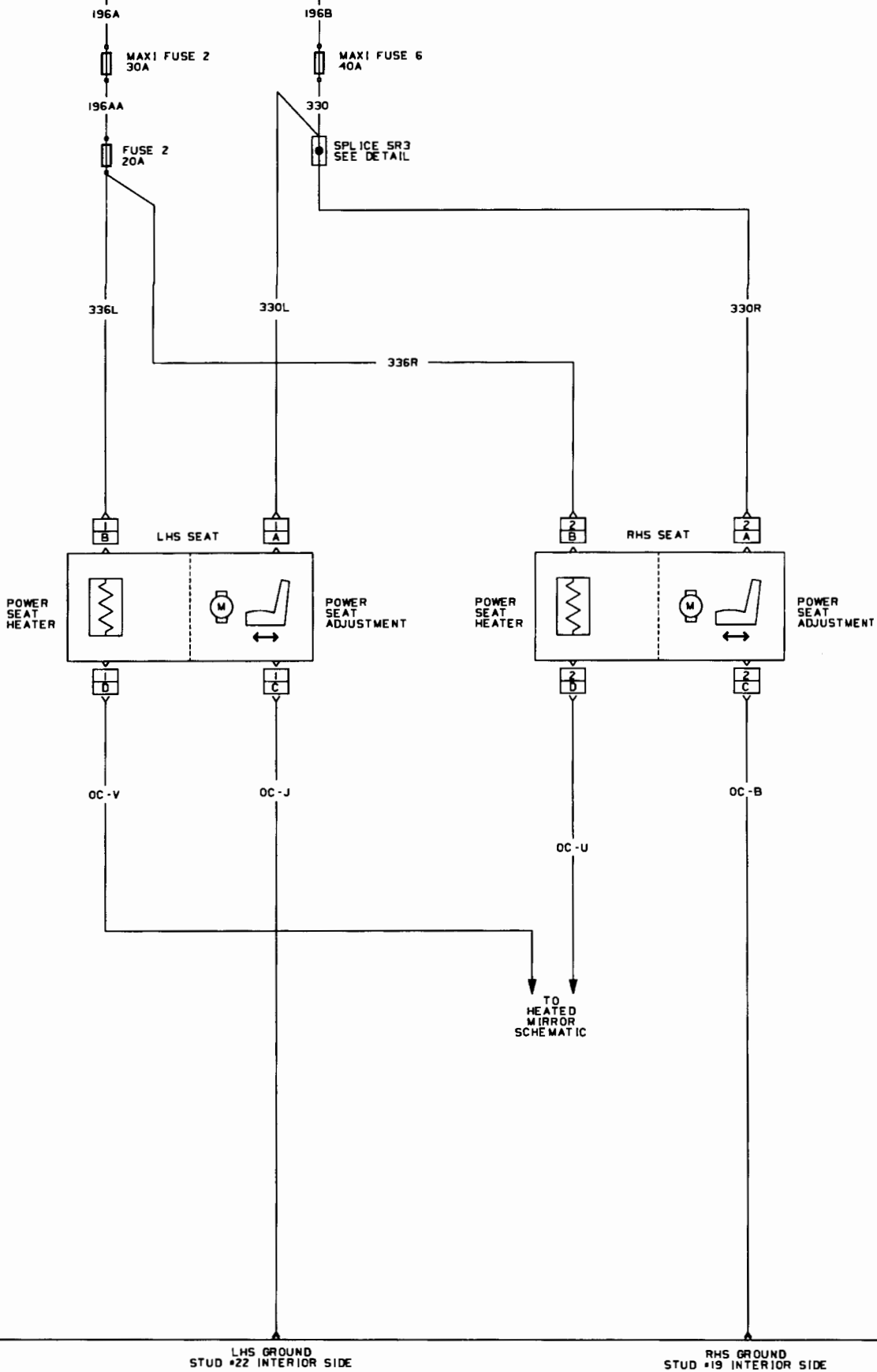
Power Seat

VN

From Build Date 2.98





BATTERY 12 VOLT  
IGNITION 12 VOLT  
ACCESSORY 12 VOLT



Power Seat - VN

EFFECTIVE DATE	DESCRIPTION

CONNECTOR AND SPLICE INFORMATION CONNECTORS VIEWED FROM CABLE ENTRY			
<b>CONNECTOR 1 MAIN CAB HARNESS TO DRIVER SEAT</b>			
	TABLE OF CONTENTS		
	CAVITY	CIRCUIT	FUNCTION
	A	330L	12 VOLT SUPPLY
	B	336L	12 VOLT SUPPLY
	C	0C - J	GROUND
D	0C - V	GROUND	
<b>CONNECTOR 2 MAIN CAB HARNESS TO PASSENGER SEAT</b>			
	TABLE OF CONTENTS		
	CAVITY	CIRCUIT	FUNCTION
	A	330R	12 VOLT SUPPLY
	B	336R	12 VOLT SUPPLY
	C	0C - B	GROUND
D	0C - U	GROUND	

