

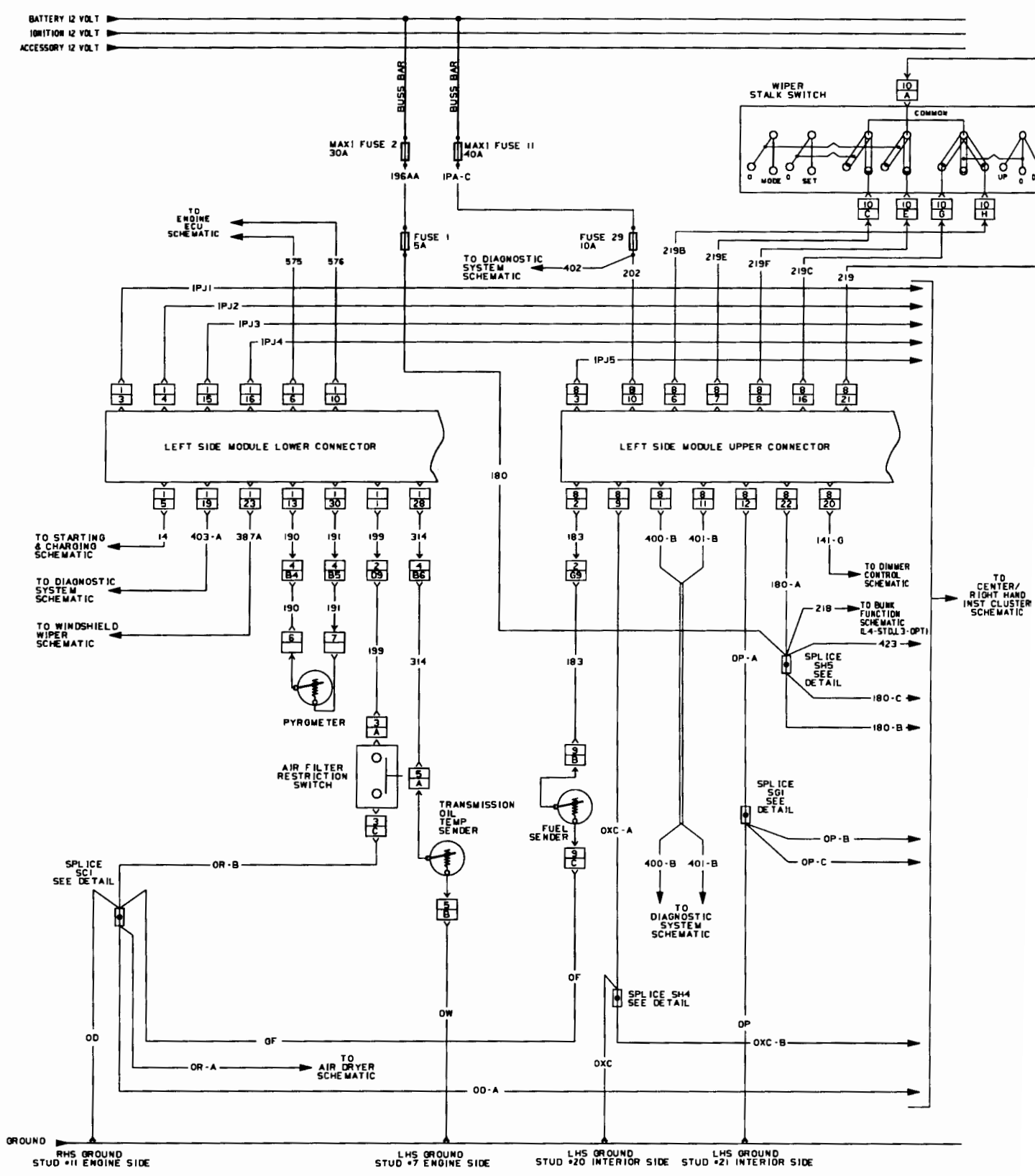
# Service Manual Trucks

Group **37**

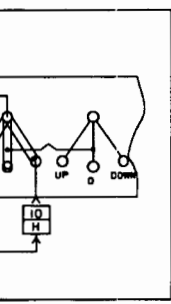
Electrical Schematic:  
Instrumentation (LHS module),  
Caterpillar 3406E Engine

VNL, VNM

From Build Date 2.98



Instrumentation (LHS module), Caterpillar 3406E Engine - VNL, VNM



TO CENTER/RIGHT HAND INST CLUSTER SCHEMATIC

CONNECTOR AND SPLICE INFORMATION  
CONNECTORS VIEWED FROM CABLE ENTRY

**CONNECTOR 1**  
LEFT SIDE MODULE LOWER CONNECTOR INSTRUMENT CLUSTER

TABLE OF CONTENTS		
CAVITY	CIRCUIT	FUNCTION
1	199	AIR FILTER RESTRICTION
3	IPJ1	CENTRE MODULE
4	IPJ2	CENTRE MODULE
5	14	BATTERY CHARGING
6	575	STOP ENG IND LAMP
10	576	CHECK ENG IND LAMP
13	190	PYROMETER RETURN
15	IPJ3	RIGHT MODULE
16	IPJ4	RIGHT MODULE
19	403-A	PROGRAMMING ENABLE
23	387A	LOW FLUID LEVEL
28	314	TRANSMISSION OIL TEMP.
30	191	PYROMETER FEED

**CONNECTOR 5**  
TRANSMISSION OIL TEMP SENDER

TABLE OF CONTENTS		
CAVITY	CIRCUIT	FUNCTION
A	314	TRANSMISSION OIL TEMP SWITCH
B	OW	GROUND

**CONNECTOR 6**  
PYROMETER

TABLE OF CONTENTS		
CAVITY	CIRCUIT	FUNCTION
190		PYROMETER FEED

**CONNECTOR 7**  
PYROMETER

TABLE OF CONTENTS		
CAVITY	CIRCUIT	FUNCTION
191		PYROMETER RETURN

**CONNECTOR 2**  
CHASSIS HARNESS PASS THROUGH

TABLE OF CONTENTS		
CAVITY	CIRCUIT	FUNCTION
09	183	FUEL SENDER
09	199	AIR FILTER RESTRICTION

**CONNECTOR 8**  
LEFT SIDE MODULE UPPER CONNECTOR INSTRUMENT CLUSTER

TABLE OF CONTENTS		
CAVITY	CIRCUIT	FUNCTION
1	400-B	POS DATA LINK SAE 1708
2	183	FUEL SENDER
3	IPJ5	TO RIGHT MODULE
6	219B	CLUSTER DISPLAY "DOWN" INPUT
7	219E	CLUSTER DISPLAY "SET" INPUT
8	219F	CLUSTER DISPLAY "MODE" INPUT
9	0XC-A	GROUND
10	202	12 VOLT SUPPLY
11	401-B	NEG DATA LINK SAE 1708
12	0P-A	GROUND
16	219C	CLUSTER DISPLAY "UP" INPUT
20	141-G	ILLUMINATION
21	219	CLUSTER ELECTRONIC FEED
22	180-A	12 VOLT SUPPLY

**CONNECTOR 3**  
AIR RESTRICTION SENDER

TABLE OF CONTENTS		
CAVITY	CIRCUIT	FUNCTION
A	199	AIR FILTER RESTRICTION
C	OR-B	GROUND

**CONNECTOR 9**  
FUEL SENDER

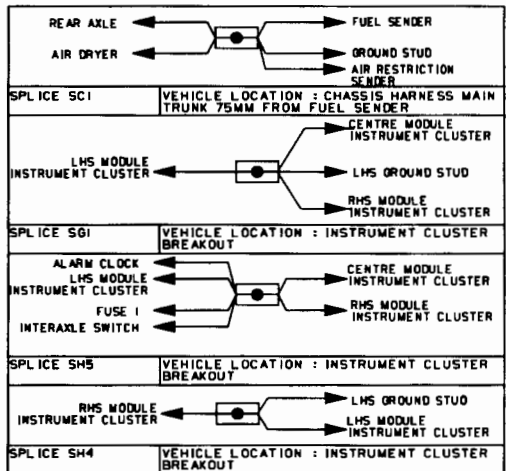
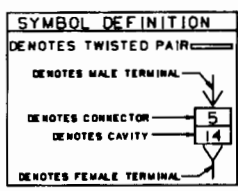
TABLE OF CONTENTS		
CAVITY	CIRCUIT	FUNCTION
B	183	FUEL TANK SENDER FEED
C	OF	GROUND

**CONNECTOR 4**  
ENGINE HARNESS PASS THROUGH

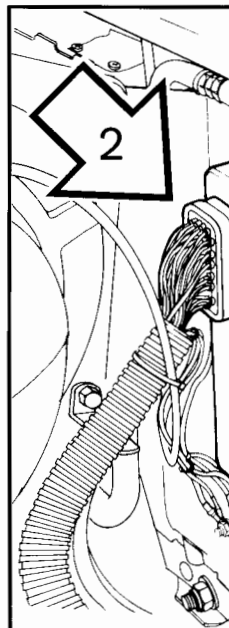
TABLE OF CONTENTS		
CAVITY	CIRCUIT	FUNCTION
B4	190	PYROMETER RETURN
B5	191	PYROMETER FEED
B6	314	TRANSMISSION OIL TEMP

**CONNECTOR 10**  
WIPER STALK SWITCH

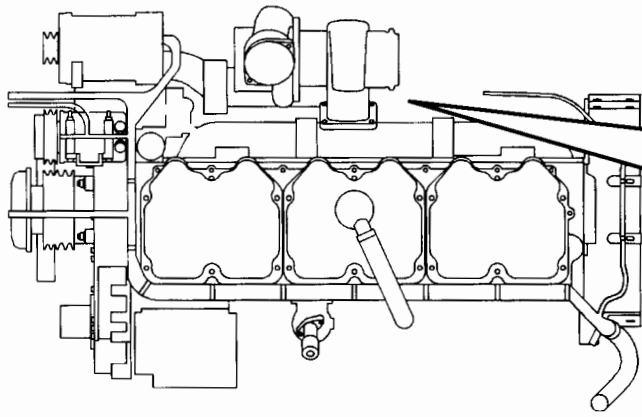
TABLE OF CONTENTS		
CAVITY	CIRCUIT	FUNCTION
A	219	COMMON FEED
C	219E	"SET" INPUT
E	219F	"MODE" INPUT
G	219C	"UP" INPUT
H	219B	"DOWN" INPUT



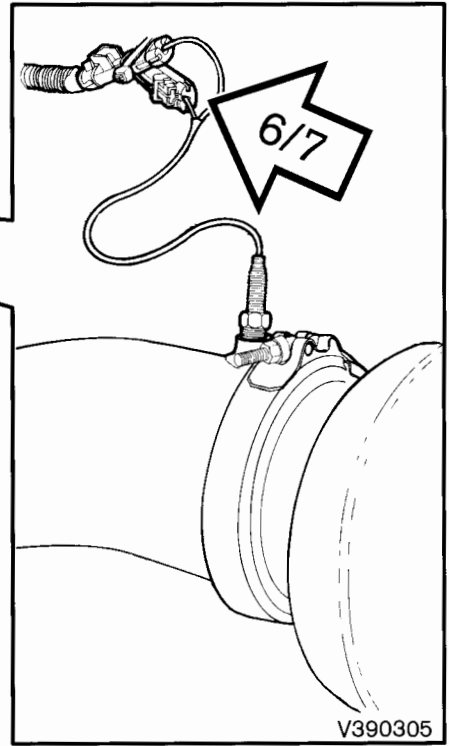
EFFECTIVE DATE	DESCRIPTION



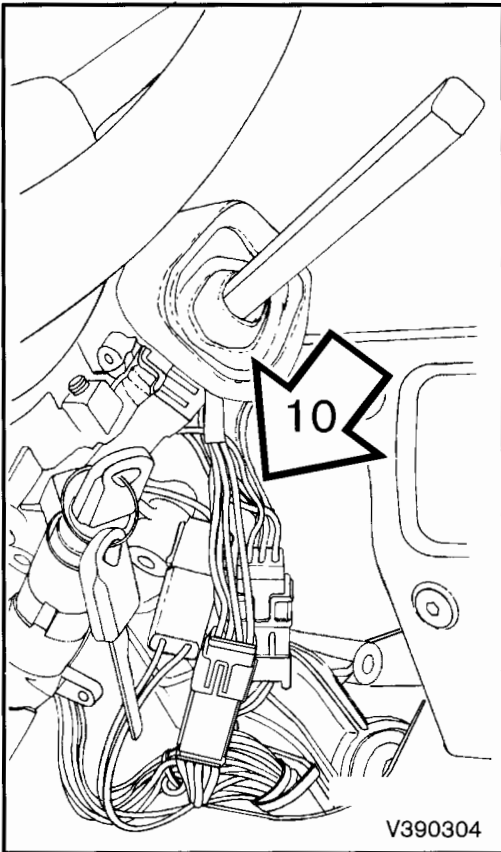




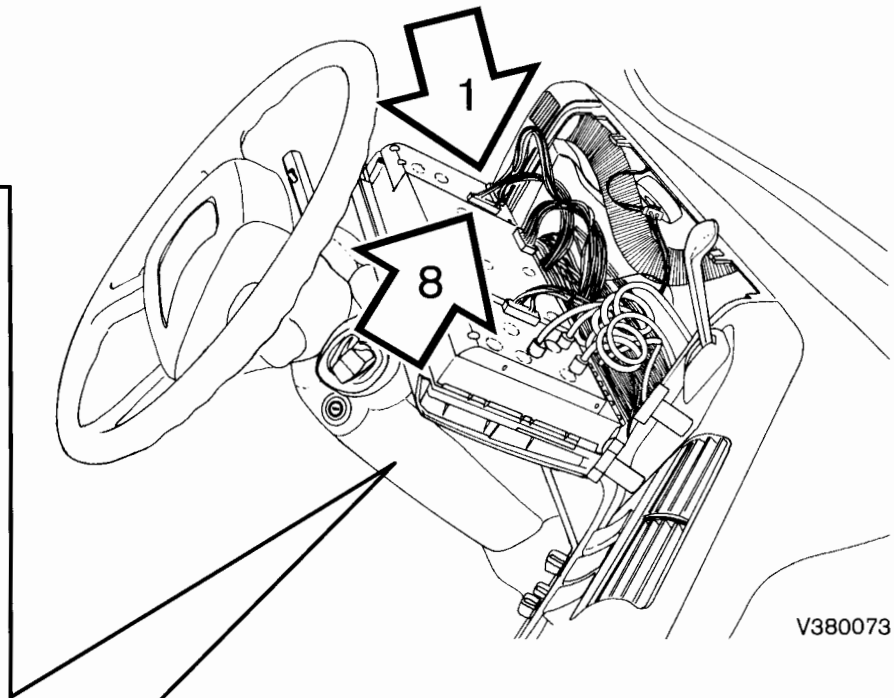
V200087



V390305



V390304



V380073