

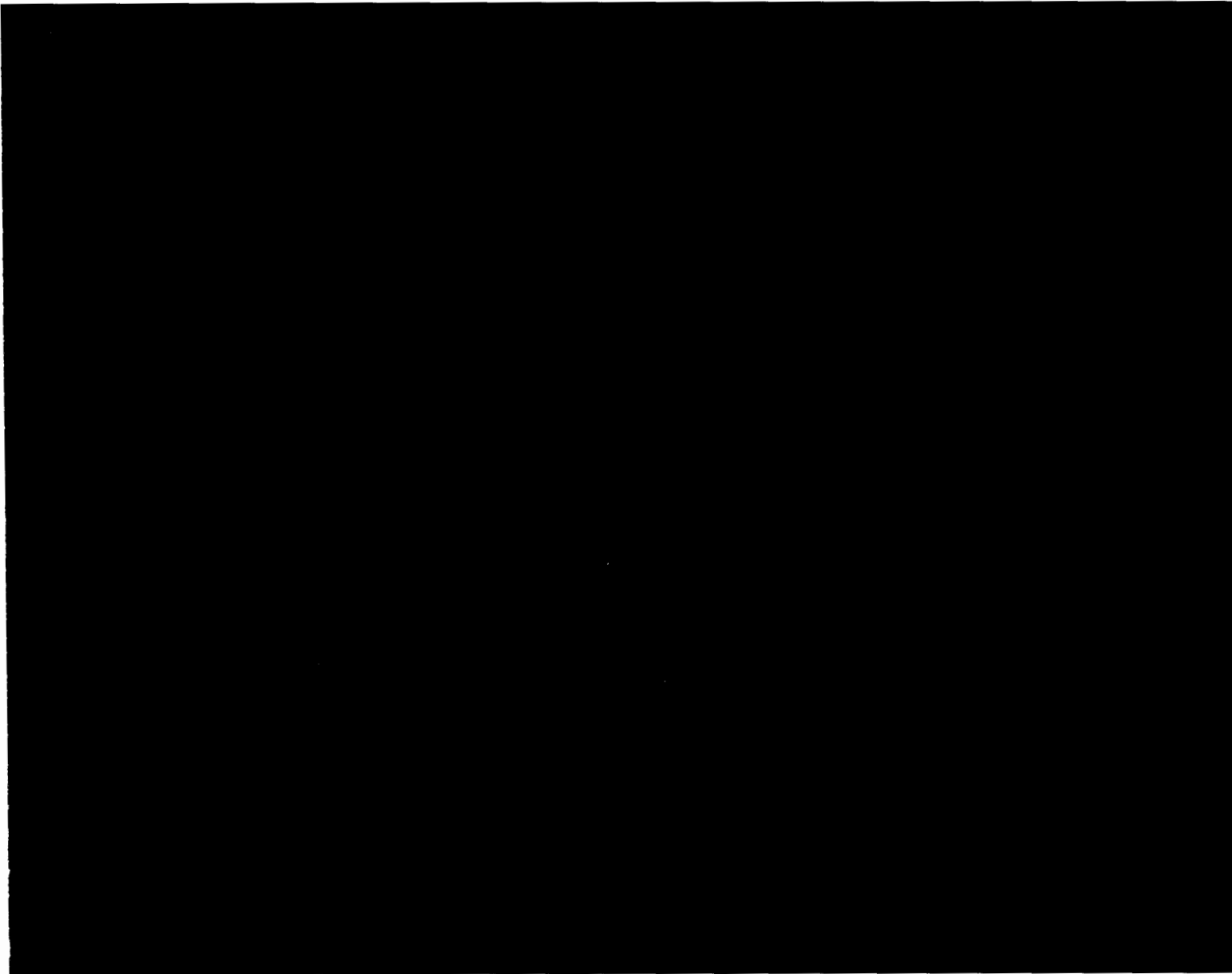
Service Manual Trucks

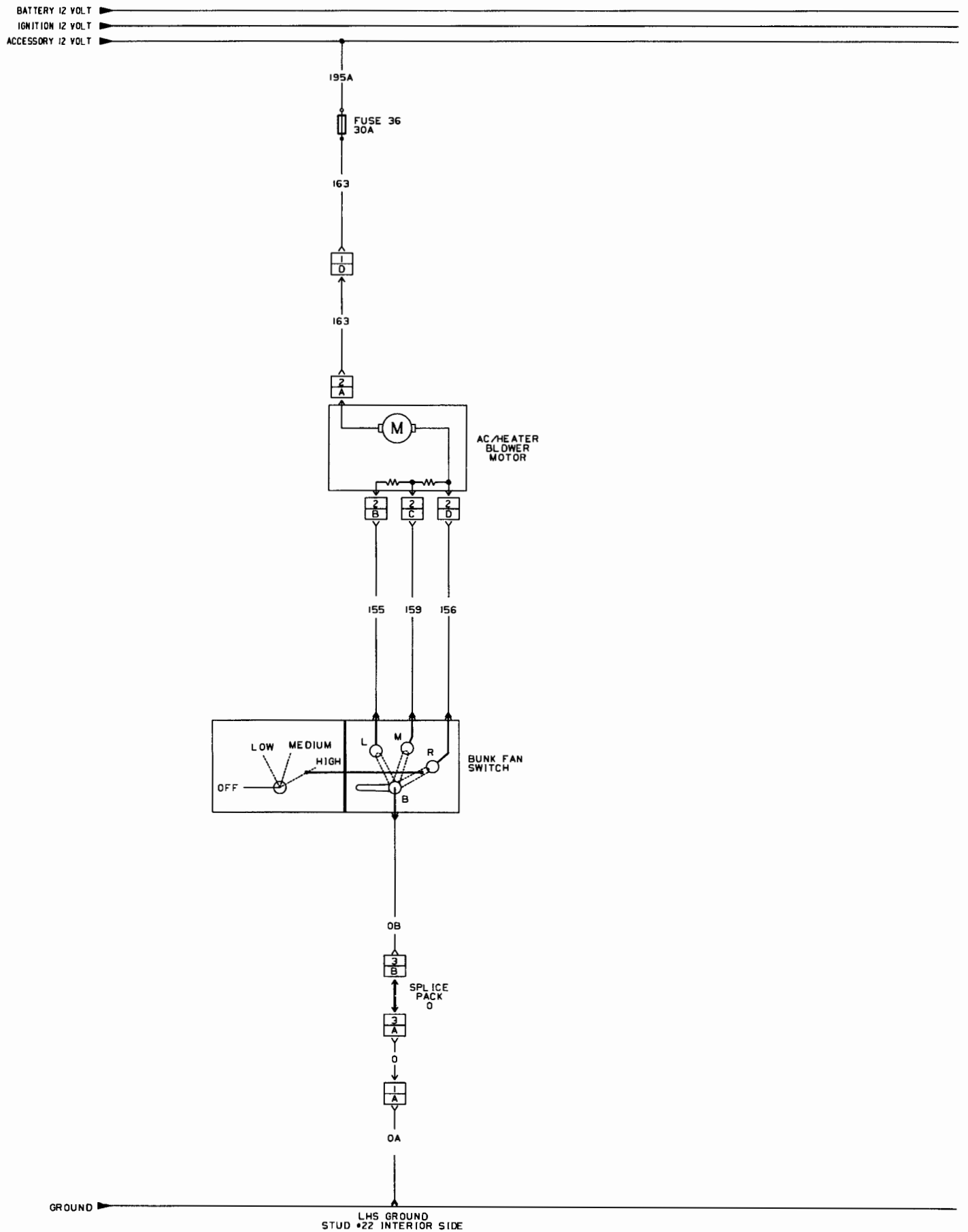
Group **37**

Electrical Schematic:
Bunk A/C Fan, Manual Temperature Control

VN 420 Sleeper

From Build Date 2.98





Bunk A/C Fan, Manual Temperature Control - VN 420 Sleeper

CONNECTOR AND SPLICE INFORMATION
CONNECTORS VIEWED FROM CABLE ENTRY



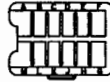
CONNECTOR 1
CAB HARNESS TO BUNK HARNESS

TABLE OF CONTENTS		
CAVITY	CIRCUIT	FUNCTION
A	0A	GROUND
D	163	12 VOLT SUPPLY



CONNECTOR 2
BUNK HARNESS TO BUNK FAN MOTOR

TABLE OF CONTENTS		
CAVITY	CIRCUIT	FUNCTION
A	163	12 VOLT SUPPLY
B	155	LOW FAN SPEED
C	159	MED FAN SPEED
D	156	HIGH FAN SPEED

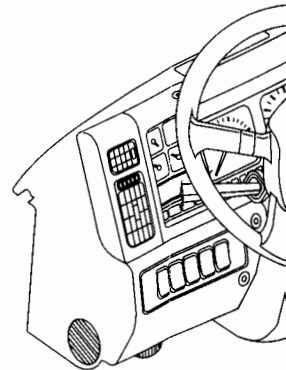


CONNECTOR 3
SPLICE PACK 0

TABLE OF CONTENTS		
CAVITY	CIRCUIT	FUNCTION
A	0	GROUND
B	0B	GROUND

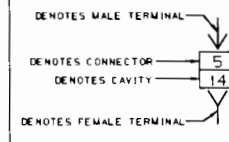
CHANGE HISTORY

EFFECTIVE DATE	DESCRIPTION



V850168

SYMBOL DEFINITION



V370557

Schematic #8083031.02

CHANGE HISTORY

DESCRIPTION

