

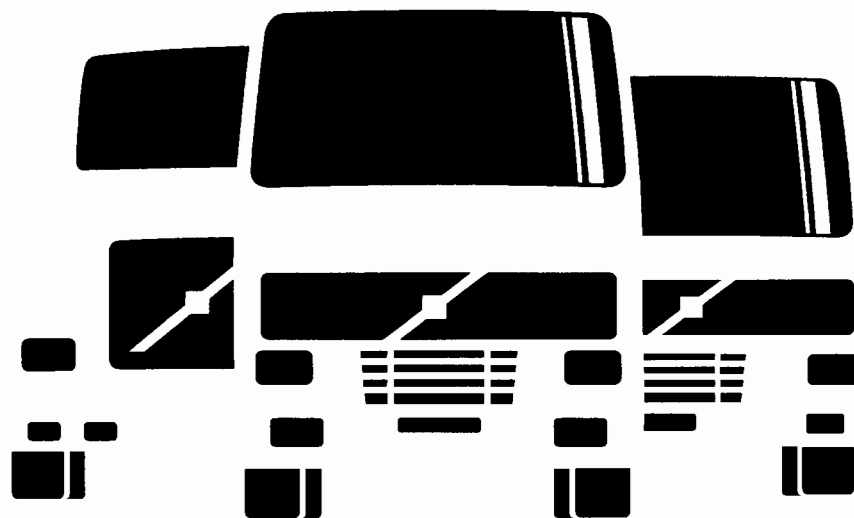
# Service Manual Trucks

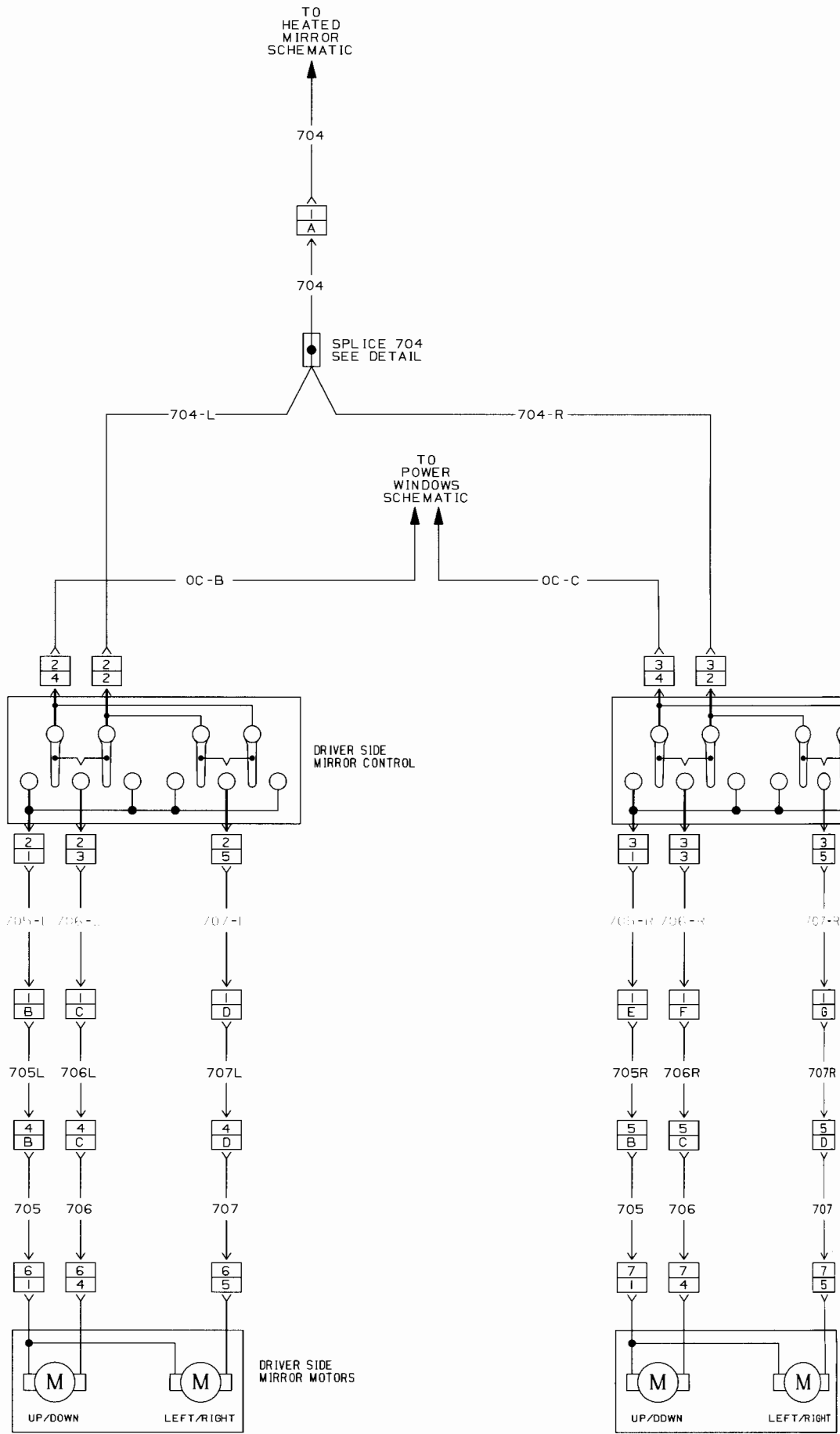
Group **37**

Electrical Schematic:  
Motorized Side Mirror

VNL, VNM

From Build Date 2.98





Motorized Side Mirror - VNL, VNM

EFFECTIVE DATE	DESCRIPTION
2.99	RENAMED OC

CONNECTOR AND SPLICE INFORMATION  
CONNECTORS VIEWED FROM CABLE ENTRY

**CONNECTOR 1  
MAIN CAB TO DOOR HARNESS**



TABLE OF CONTENTS		
CAVITY	CIRCUIT	FUNCTION
A	704	12 VOLT SUPPLY
B	705L	MOTOR COM. FEED
C	706L	UP OR DOWN
D	707L	LEFT OR RIGHT
E	705R	MOTOR COM. FEED
F	706R	UP OR DOWN
G	707R	LEFT OR RIGHT

**CONNECTOR 2  
LEFT HAND SIDE MIRROR CONTROL**



TABLE OF CONTENTS		
CAVITY	CIRCUIT	FUNCTION
1	705-L	MOTOR COM. FEED
2	704-L	12 VOLT SUPPLY
3	706-L	UP OR DOWN
4	0C-B	GROUND
5	707-L	LEFT OR RIGHT

**CONNECTOR 3  
RIGHT HAND SIDE MIRROR CONTROL**



TABLE OF CONTENTS		
CAVITY	CIRCUIT	FUNCTION
1	705-R	MOTOR COM. FEED
2	704-R	12 VOLT SUPPLY
3	706-R	UP OR DOWN
4	0C-C	GROUND
5	707-R	LEFT OR RIGHT

**CONNECTOR 4  
MAIN CAB TO LEFT HAND MIRROR HARNESS**



TABLE OF CONTENTS		
CAVITY	CIRCUIT	FUNCTION
B	705L	MOTOR COM. FEED
C	706L	UP OR DOWN
D	707L	LEFT OR RIGHT

**CONNECTOR 5  
MAIN CAB TO RIGHT HAND MIRROR HARNESS**



TABLE OF CONTENTS		
CAVITY	CIRCUIT	FUNCTION
B	705R	MOTOR COM. FEED
C	706R	UP OR DOWN
D	707R	LEFT OR RIGHT

**CONNECTOR 6  
LEFT HAND SIDE MIRROR MOTORS**

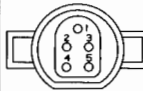


TABLE OF CONTENTS		
CAVITY	CIRCUIT	FUNCTION
1	705	MOTOR COM. FEED
4	706	UP OR DOWN
5	707	LEFT OR RIGHT

**CONNECTOR 7  
RIGHT HAND SIDE MIRROR MOTORS**

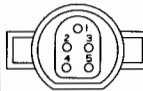
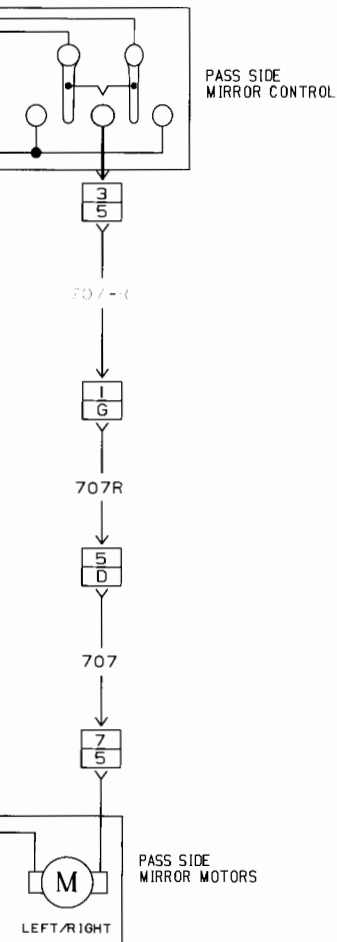
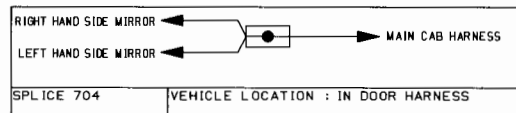
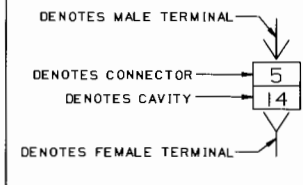


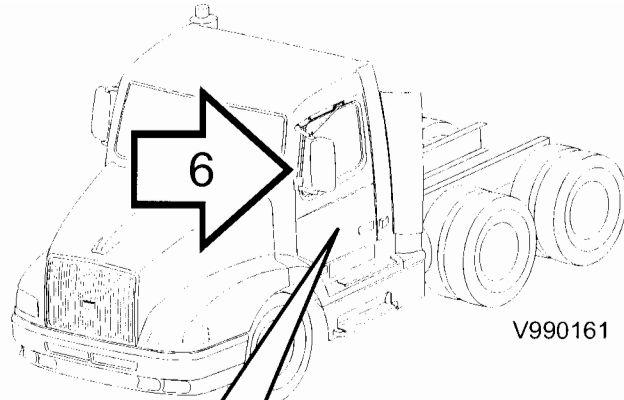
TABLE OF CONTENTS		
CAVITY	CIRCUIT	FUNCTION
1	705	MOTOR COM. FEED
4	706	UP OR DOWN
5	707	LEFT OR RIGHT

SYMBOL DEFINITION

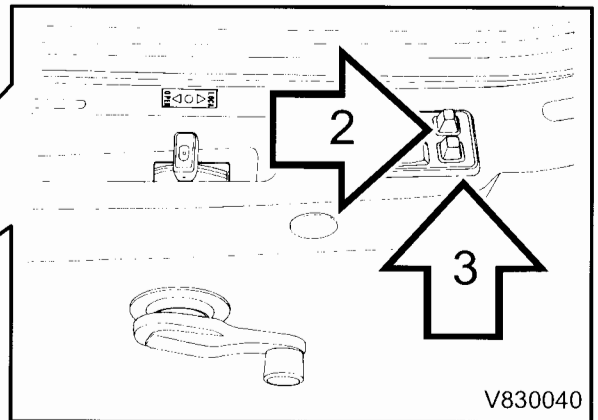


### CHANGE HISTORY

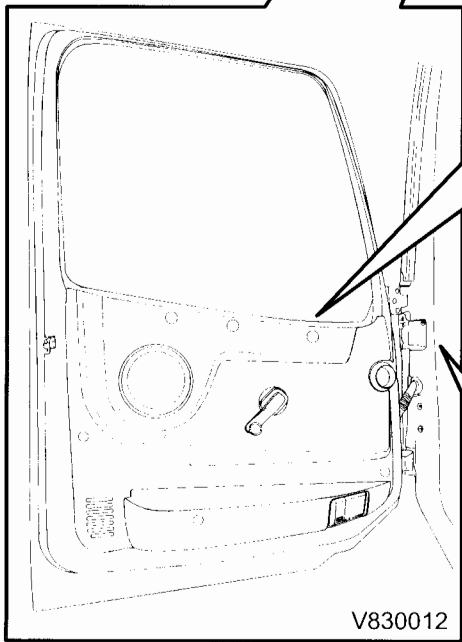
DESCRIPTION
RENAMED OC CIRCUITS



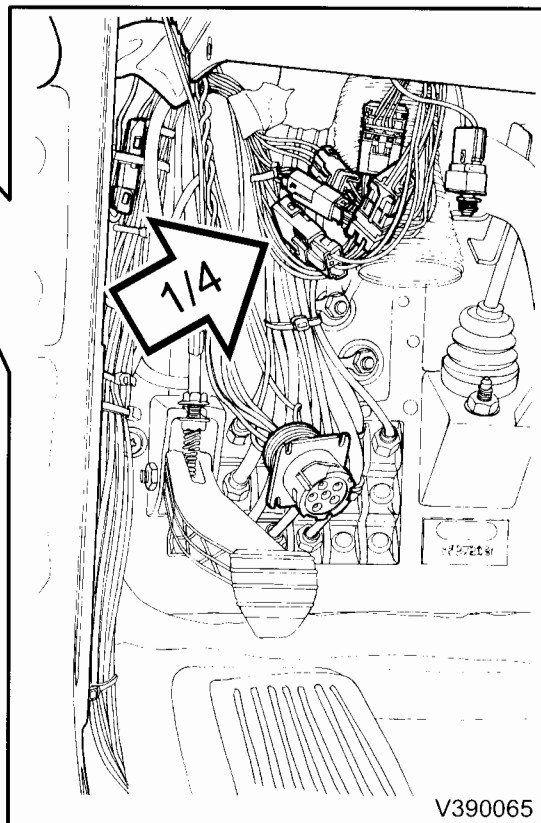
V990161



V830040



V830012



V390065

