

Service Manual Trucks

Group **37**

Electrical Schematic:

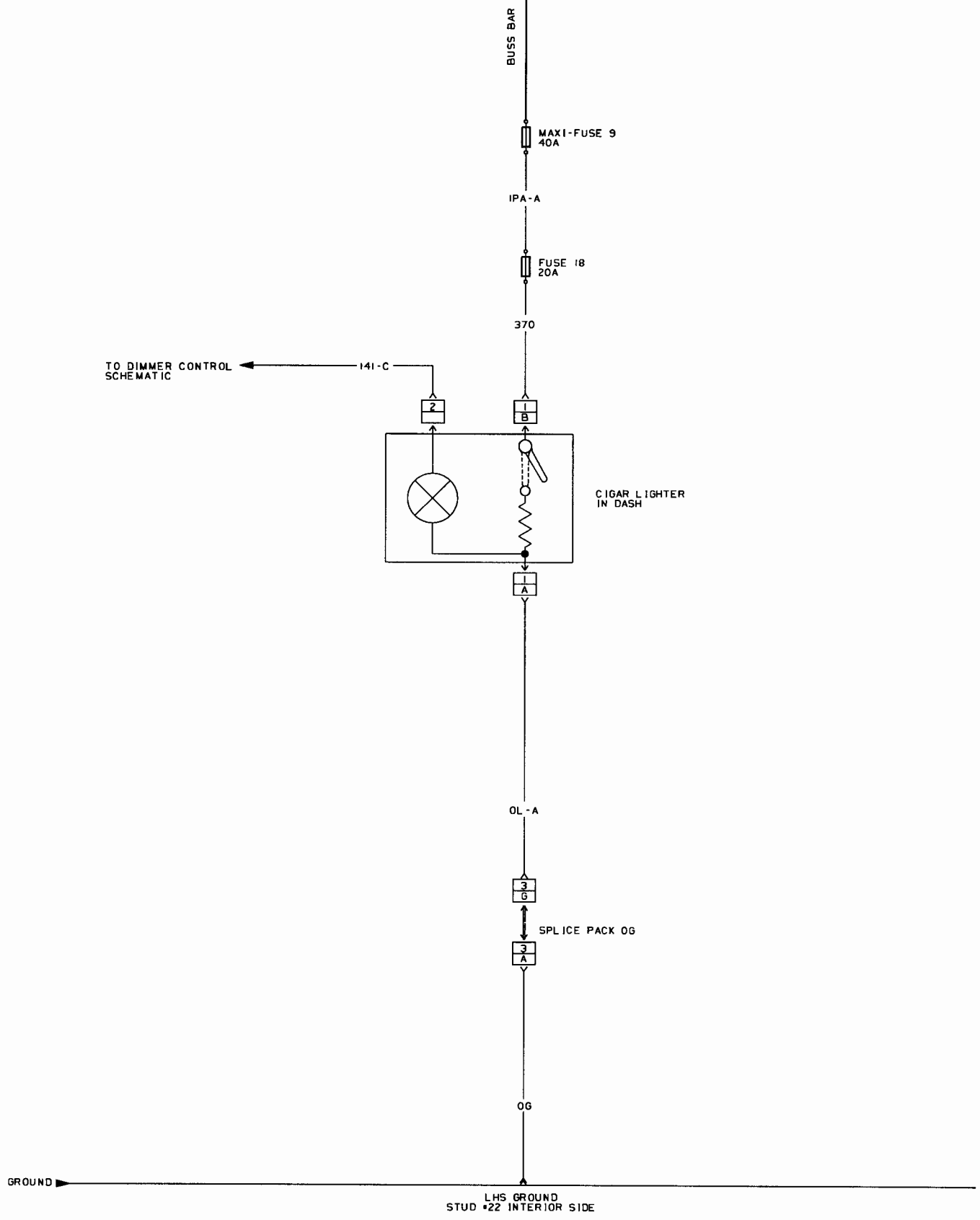
Cigar Lighter

(in dash)

VNL, VNM

From Build Date 2.98

BATTERY 12 VOLT
IGNITION 12 VOLT
ACCESSORY 12 VOLT



TO DIMMER CONTROL SCHEMATIC ← 141-C

CIGAR LIGHTER IN DASH

SPLICE PACK OG

LHS GROUND
STUD #22 INTERIOR SIDE

Cigar Lighter (in dash) - VNL, VNM

CONNECTOR AND SPLICE INFORMATION
CONNECTORS VIEWED FROM CABLE ENTRY



CONNECTOR 1
CIGAR LIGHTER IN DASH

TABLE OF CONTENTS		
CAVITY	CIRCUIT	FUNCTION
B	370	12 VOLT SUPPLY
A	0L - A	GROUND



CONNECTOR 2
CIGAR LIGHTER IN DASH

TABLE OF CONTENTS		
CAVITY	CIRCUIT	FUNCTION
	141-C	DIMMER CONTROL

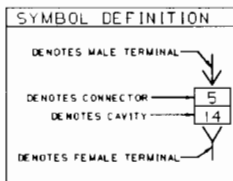
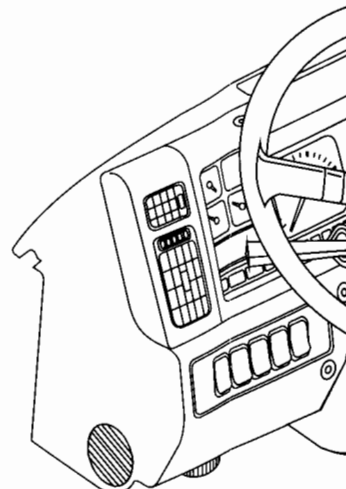


CONNECTOR 3
SPLICE PACK 08

TABLE OF CONTENTS		
CAVITY	CIRCUIT	FUNCTION
A	0G	GROUND
G	0L - A	GROUND

CHANGE HISTOR

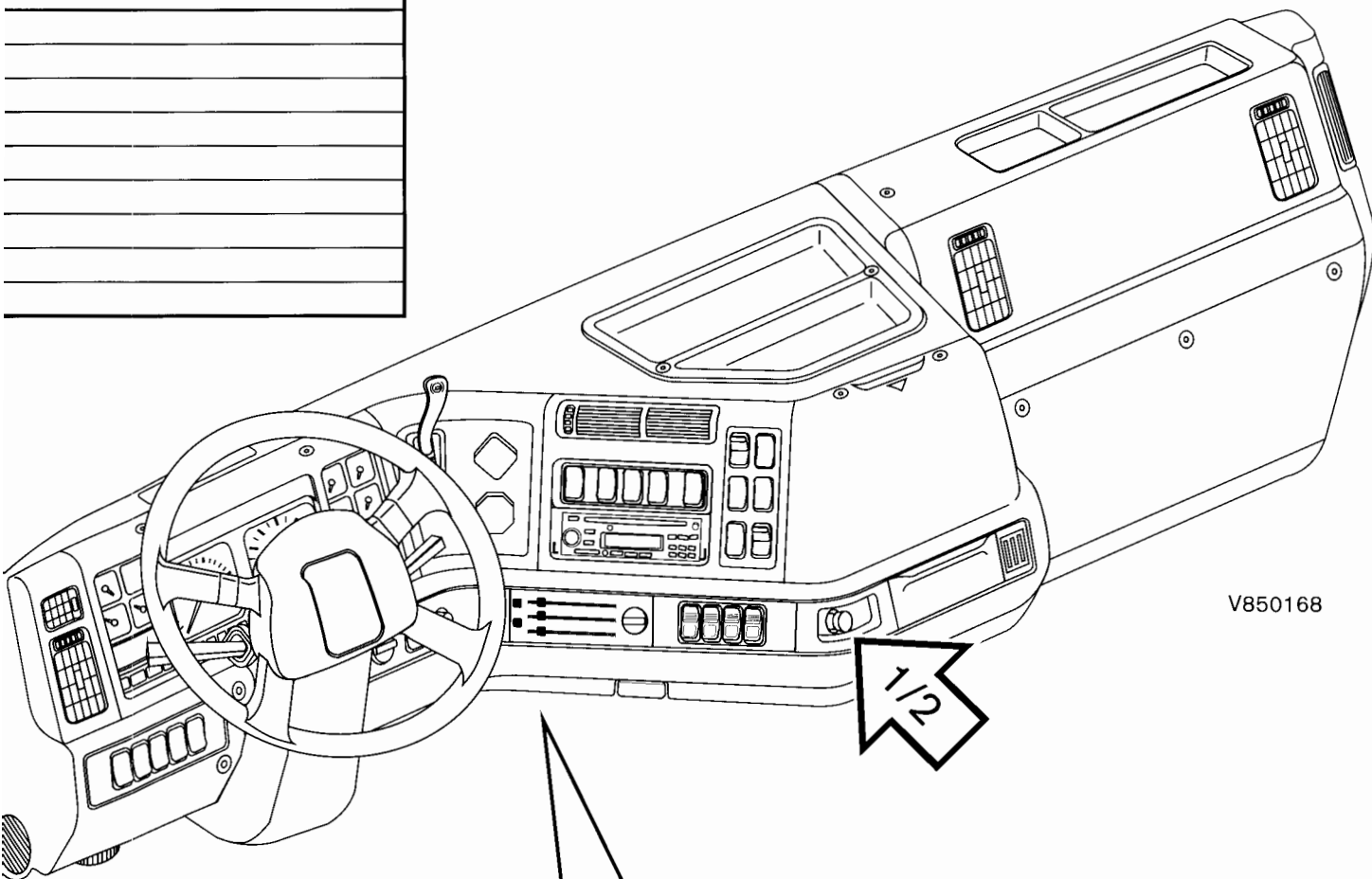
EFFECTIVE DATE	DESCRIPTION



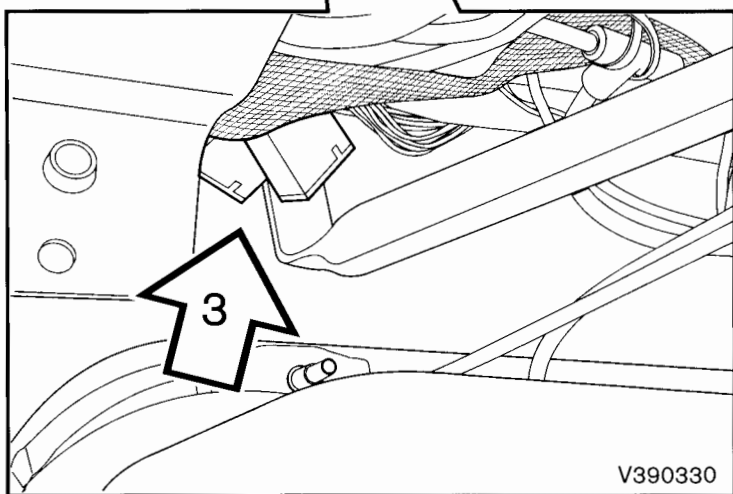
CHANGE HISTORY

DESCRIPTION

DESCRIPTION



V850168



V390330