

# Service Manual Trucks

Group **37**

Electrical Schematic:

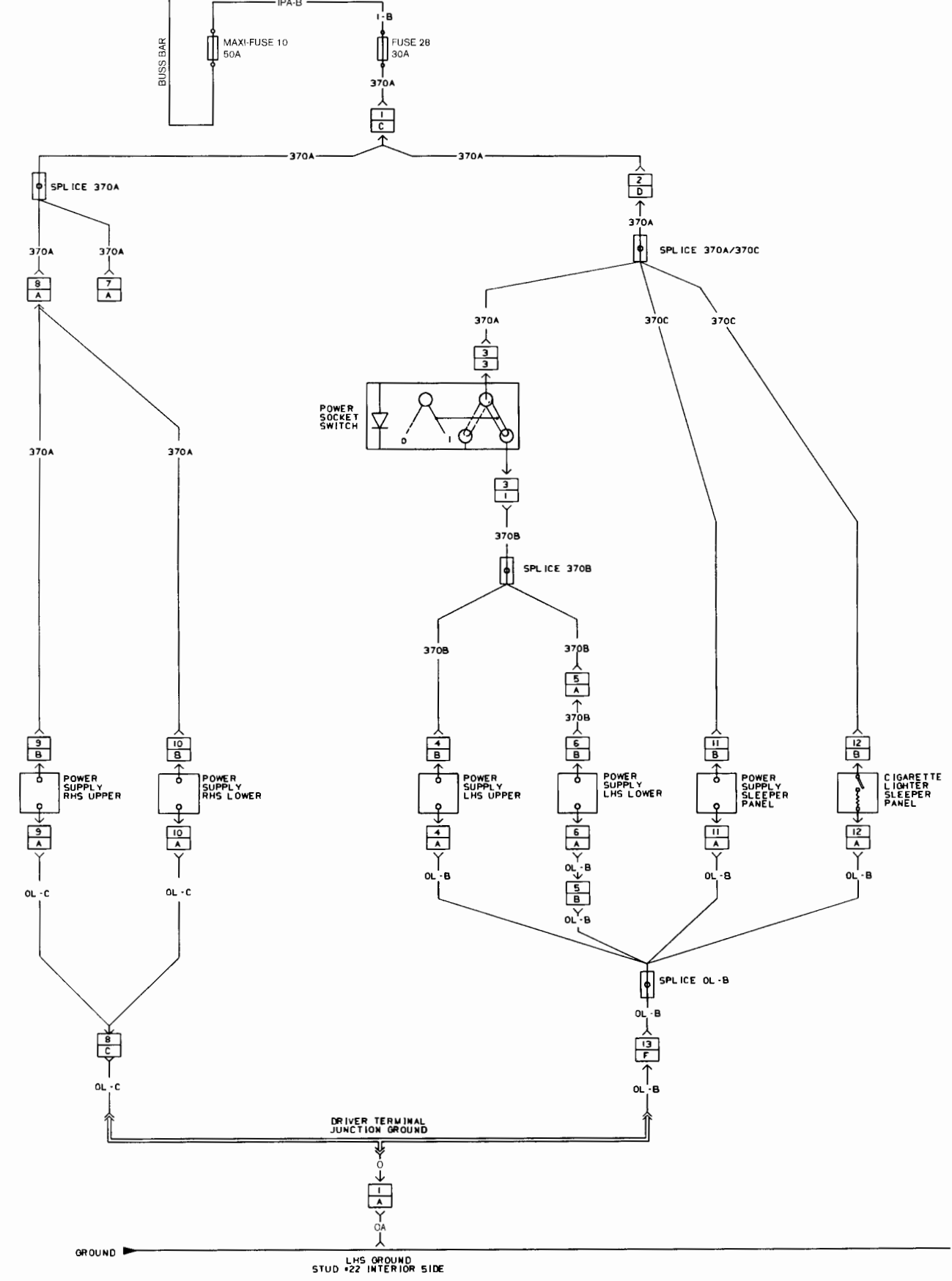
Bunk Cigar Lighter,

Power Supplies

VN 770 Sleeper

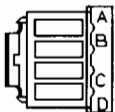

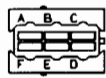

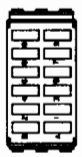
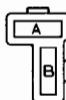




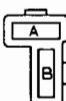
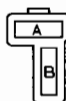

From Build Date 2.98

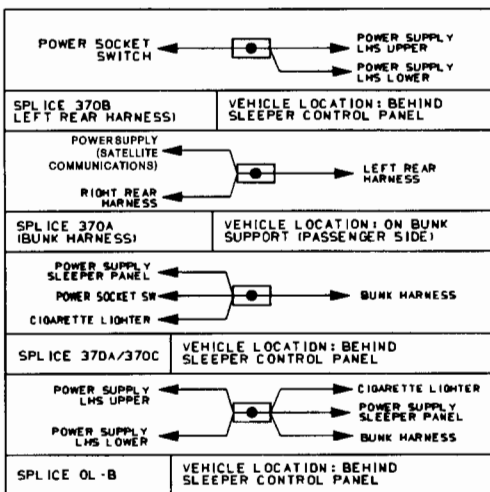
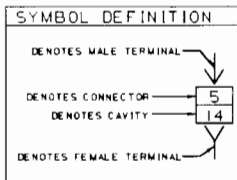
BATTERY 12 VOLT  
IGNITION 12 VOLT  
ACCESSORY 12 VOLT



Bunk Cigar Lighter / Power Supply Sockets - VN 770 Sleeper

**CONNECTOR AND SPLICE INFORMATION  
CONNECTORS VIEWED FROM CABLE ENTRY**

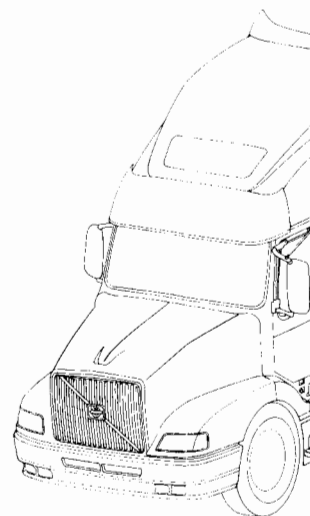
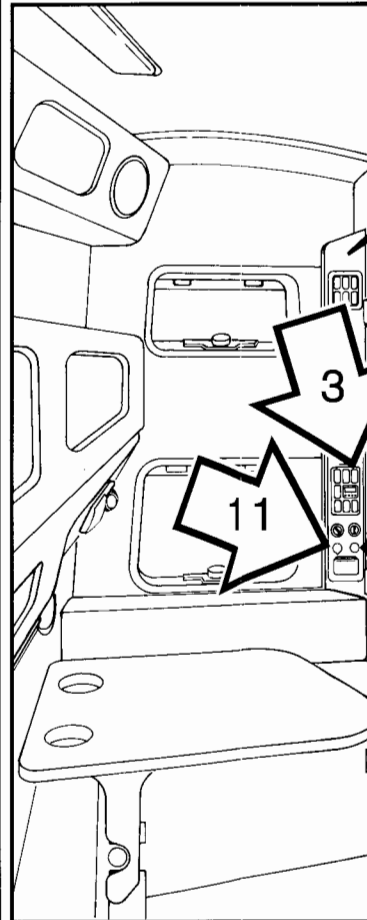
 <p><b>CONNECTOR 1 MAIN CAB HARNESS TO BUNK HARNESS</b></p> <table border="1"> <thead> <tr> <th colspan="3">TABLE OF CONTENTS</th> </tr> <tr> <th>CAVITY</th> <th>CIRCUIT</th> <th>FUNCTION</th> </tr> </thead> <tbody> <tr> <td>A</td> <td>0</td> <td>GROUND</td> </tr> <tr> <td>C</td> <td>370A</td> <td>12 VOLT SUPPLY</td> </tr> </tbody> </table>	TABLE OF CONTENTS			CAVITY	CIRCUIT	FUNCTION	A	0	GROUND	C	370A	12 VOLT SUPPLY	 <p><b>CONNECTOR 7 LUGGAGE COMPARTMENT OPTION CONNECTOR</b></p> <table border="1"> <thead> <tr> <th colspan="3">TABLE OF CONTENTS</th> </tr> <tr> <th>CAVITY</th> <th>CIRCUIT</th> <th>FUNCTION</th> </tr> </thead> <tbody> <tr> <td>A</td> <td>370A</td> <td>12 VOLT SUPPLY</td> </tr> </tbody> </table>	TABLE OF CONTENTS			CAVITY	CIRCUIT	FUNCTION	A	370A	12 VOLT SUPPLY			
TABLE OF CONTENTS																									
CAVITY	CIRCUIT	FUNCTION																							
A	0	GROUND																							
C	370A	12 VOLT SUPPLY																							
TABLE OF CONTENTS																									
CAVITY	CIRCUIT	FUNCTION																							
A	370A	12 VOLT SUPPLY																							
 <p><b>CONNECTOR 2 BUNK HARNESS TO HARNESS, LEFT REAR</b></p> <table border="1"> <thead> <tr> <th colspan="3">TABLE OF CONTENTS</th> </tr> <tr> <th>CAVITY</th> <th>CIRCUIT</th> <th>FUNCTION</th> </tr> </thead> <tbody> <tr> <td>D</td> <td>370A</td> <td>12 VOLT SUPPLY</td> </tr> </tbody> </table>	TABLE OF CONTENTS			CAVITY	CIRCUIT	FUNCTION	D	370A	12 VOLT SUPPLY	 <p><b>CONNECTOR 8 BUNK HARNESS TO HARNESS, RIGHT REAR</b></p> <table border="1"> <thead> <tr> <th colspan="3">TABLE OF CONTENTS</th> </tr> <tr> <th>CAVITY</th> <th>CIRCUIT</th> <th>FUNCTION</th> </tr> </thead> <tbody> <tr> <td>A</td> <td>370A</td> <td>12 VOLT SUPPLY</td> </tr> <tr> <td>C</td> <td>0L-C</td> <td>GROUND</td> </tr> </tbody> </table>	TABLE OF CONTENTS			CAVITY	CIRCUIT	FUNCTION	A	370A	12 VOLT SUPPLY	C	0L-C	GROUND			
TABLE OF CONTENTS																									
CAVITY	CIRCUIT	FUNCTION																							
D	370A	12 VOLT SUPPLY																							
TABLE OF CONTENTS																									
CAVITY	CIRCUIT	FUNCTION																							
A	370A	12 VOLT SUPPLY																							
C	0L-C	GROUND																							
 <p><b>CONNECTOR 3 SLEEPER CONTROL PANEL HARNESS TO SWITCH</b></p> <table border="1"> <thead> <tr> <th colspan="3">TABLE OF CONTENTS</th> </tr> <tr> <th>CAVITY</th> <th>CIRCUIT</th> <th>FUNCTION</th> </tr> </thead> <tbody> <tr> <td>1</td> <td>370B</td> <td>12 VOLT SUPPLY</td> </tr> <tr> <td>3</td> <td>370A</td> <td>12 VOLT SUPPLY</td> </tr> </tbody> </table>	TABLE OF CONTENTS			CAVITY	CIRCUIT	FUNCTION	1	370B	12 VOLT SUPPLY	3	370A	12 VOLT SUPPLY	 <p><b>CONNECTOR 9 POWER SUPPLY RHS UPPER</b></p> <table border="1"> <thead> <tr> <th colspan="3">TABLE OF CONTENTS</th> </tr> <tr> <th>CAVITY</th> <th>CIRCUIT</th> <th>FUNCTION</th> </tr> </thead> <tbody> <tr> <td>A</td> <td>0L-C</td> <td>GROUND</td> </tr> <tr> <td>B</td> <td>370A</td> <td>12 VOLT SUPPLY</td> </tr> </tbody> </table>	TABLE OF CONTENTS			CAVITY	CIRCUIT	FUNCTION	A	0L-C	GROUND	B	370A	12 VOLT SUPPLY
TABLE OF CONTENTS																									
CAVITY	CIRCUIT	FUNCTION																							
1	370B	12 VOLT SUPPLY																							
3	370A	12 VOLT SUPPLY																							
TABLE OF CONTENTS																									
CAVITY	CIRCUIT	FUNCTION																							
A	0L-C	GROUND																							
B	370A	12 VOLT SUPPLY																							
 <p><b>CONNECTOR 4 POWER SUPPLY LHS UPPER</b></p> <table border="1"> <thead> <tr> <th colspan="3">TABLE OF CONTENTS</th> </tr> <tr> <th>CAVITY</th> <th>CIRCUIT</th> <th>FUNCTION</th> </tr> </thead> <tbody> <tr> <td>A</td> <td>0L-B</td> <td>GROUND</td> </tr> <tr> <td>B</td> <td>370B</td> <td>12 VOLT SUPPLY</td> </tr> </tbody> </table>	TABLE OF CONTENTS			CAVITY	CIRCUIT	FUNCTION	A	0L-B	GROUND	B	370B	12 VOLT SUPPLY	 <p><b>CONNECTOR 10 POWER SUPPLY RHS LOWER</b></p> <table border="1"> <thead> <tr> <th colspan="3">TABLE OF CONTENTS</th> </tr> <tr> <th>CAVITY</th> <th>CIRCUIT</th> <th>FUNCTION</th> </tr> </thead> <tbody> <tr> <td>A</td> <td>0L-C</td> <td>GROUND</td> </tr> <tr> <td>B</td> <td>370A</td> <td>12 VOLT SUPPLY</td> </tr> </tbody> </table>	TABLE OF CONTENTS			CAVITY	CIRCUIT	FUNCTION	A	0L-C	GROUND	B	370A	12 VOLT SUPPLY
TABLE OF CONTENTS																									
CAVITY	CIRCUIT	FUNCTION																							
A	0L-B	GROUND																							
B	370B	12 VOLT SUPPLY																							
TABLE OF CONTENTS																									
CAVITY	CIRCUIT	FUNCTION																							
A	0L-C	GROUND																							
B	370A	12 VOLT SUPPLY																							
 <p><b>CONNECTOR 5 SPLICE-IN CONNECTOR FOR SINK PUMP</b></p> <table border="1"> <thead> <tr> <th colspan="3">TABLE OF CONTENTS</th> </tr> <tr> <th>CAVITY</th> <th>CIRCUIT</th> <th>FUNCTION</th> </tr> </thead> <tbody> <tr> <td>A</td> <td>370B</td> <td>12 VOLT SUPPLY</td> </tr> <tr> <td>B</td> <td>0L-B</td> <td>GROUND</td> </tr> </tbody> </table>	TABLE OF CONTENTS			CAVITY	CIRCUIT	FUNCTION	A	370B	12 VOLT SUPPLY	B	0L-B	GROUND	 <p><b>CONNECTOR 11 POWER SUPPLY SLEEPER PANEL</b></p> <table border="1"> <thead> <tr> <th colspan="3">TABLE OF CONTENTS</th> </tr> <tr> <th>CAVITY</th> <th>CIRCUIT</th> <th>FUNCTION</th> </tr> </thead> <tbody> <tr> <td>A</td> <td>0L-B</td> <td>GROUND</td> </tr> <tr> <td>B</td> <td>370C</td> <td>12 VOLT SUPPLY</td> </tr> </tbody> </table>	TABLE OF CONTENTS			CAVITY	CIRCUIT	FUNCTION	A	0L-B	GROUND	B	370C	12 VOLT SUPPLY
TABLE OF CONTENTS																									
CAVITY	CIRCUIT	FUNCTION																							
A	370B	12 VOLT SUPPLY																							
B	0L-B	GROUND																							
TABLE OF CONTENTS																									
CAVITY	CIRCUIT	FUNCTION																							
A	0L-B	GROUND																							
B	370C	12 VOLT SUPPLY																							
 <p><b>CONNECTOR 6 POWER SUPPLY LHS LOWER</b></p> <table border="1"> <thead> <tr> <th colspan="3">TABLE OF CONTENTS</th> </tr> <tr> <th>CAVITY</th> <th>CIRCUIT</th> <th>FUNCTION</th> </tr> </thead> <tbody> <tr> <td>A</td> <td>0L-B</td> <td>GROUND</td> </tr> <tr> <td>B</td> <td>370B</td> <td>12 VOLT SUPPLY</td> </tr> </tbody> </table>	TABLE OF CONTENTS			CAVITY	CIRCUIT	FUNCTION	A	0L-B	GROUND	B	370B	12 VOLT SUPPLY	 <p><b>CONNECTOR 12 CIGARETTE LIGHTER SLEEPER PANEL</b></p> <table border="1"> <thead> <tr> <th colspan="3">TABLE OF CONTENTS</th> </tr> <tr> <th>CAVITY</th> <th>CIRCUIT</th> <th>FUNCTION</th> </tr> </thead> <tbody> <tr> <td>A</td> <td>0L-B</td> <td>GROUND</td> </tr> <tr> <td>B</td> <td>370C</td> <td>12 VOLT SUPPLY</td> </tr> </tbody> </table>	TABLE OF CONTENTS			CAVITY	CIRCUIT	FUNCTION	A	0L-B	GROUND	B	370C	12 VOLT SUPPLY
TABLE OF CONTENTS																									
CAVITY	CIRCUIT	FUNCTION																							
A	0L-B	GROUND																							
B	370B	12 VOLT SUPPLY																							
TABLE OF CONTENTS																									
CAVITY	CIRCUIT	FUNCTION																							
A	0L-B	GROUND																							
B	370C	12 VOLT SUPPLY																							
 <p><b>CONNECTOR 13 SLEEPER CONTROL PANEL HARNESS TO BUNK HARNESS</b></p> <table border="1"> <thead> <tr> <th colspan="3">TABLE OF CONTENTS</th> </tr> <tr> <th>CAVITY</th> <th>CIRCUIT</th> <th>FUNCTION</th> </tr> </thead> <tbody> <tr> <td>F</td> <td>0L-B</td> <td>GROUND</td> </tr> </tbody> </table>		TABLE OF CONTENTS			CAVITY	CIRCUIT	FUNCTION	F	0L-B	GROUND															
TABLE OF CONTENTS																									
CAVITY	CIRCUIT	FUNCTION																							
F	0L-B	GROUND																							



V370612  
Schematic #8079975.04

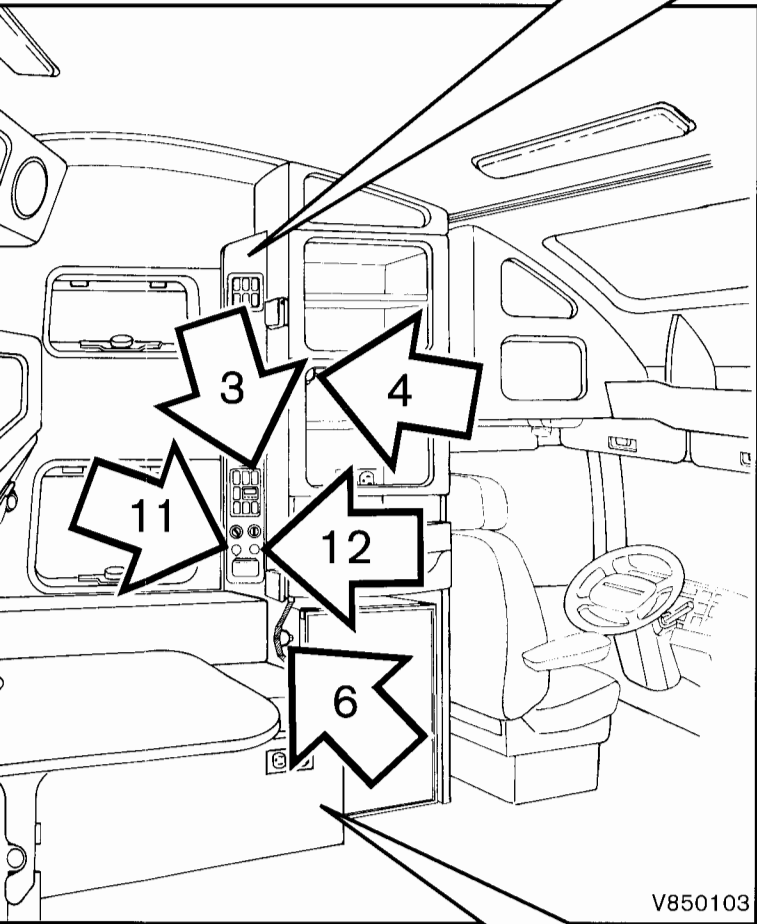
**CHANGE HISTORY**

EFFECTIVE DATE	DESCRIPTION

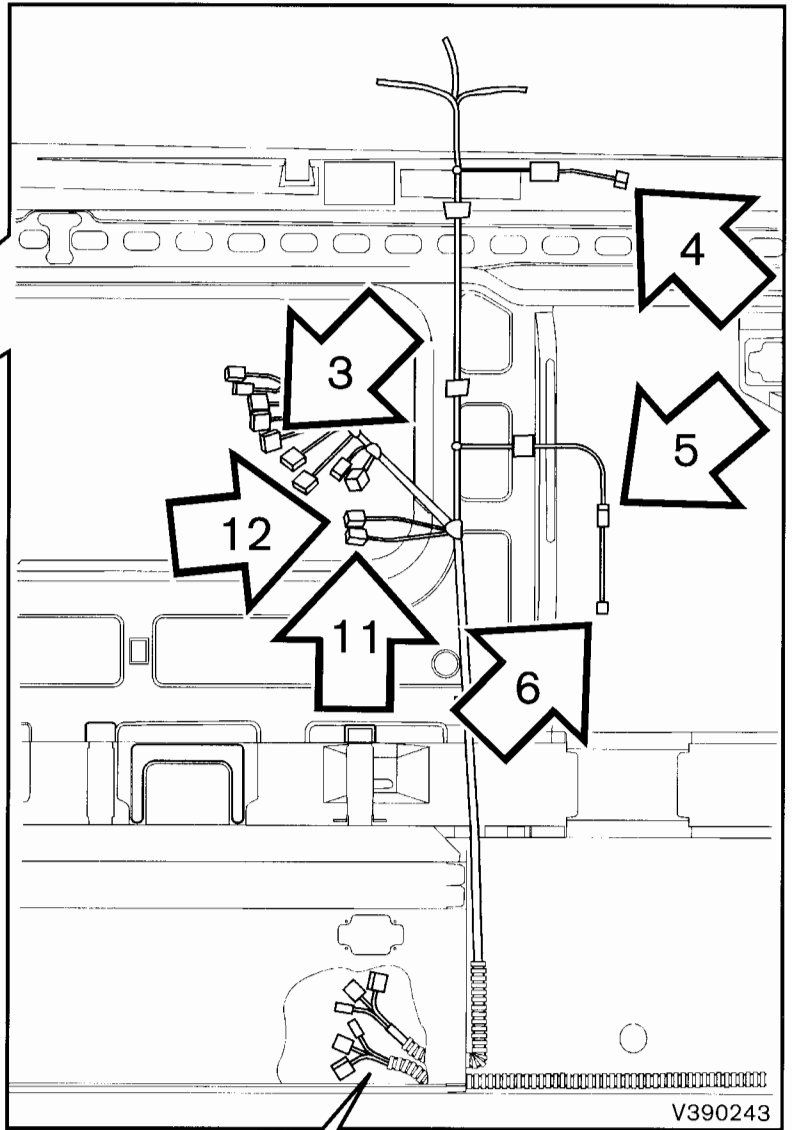


V990478

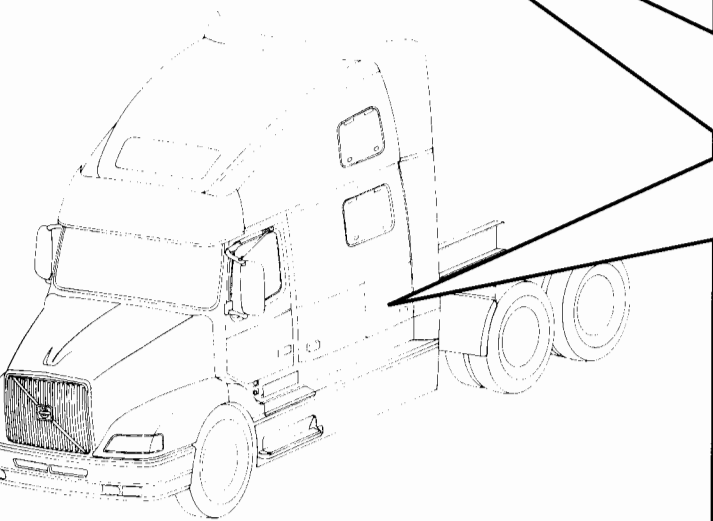
CHANGE HISTORY	
DESCRIPTION	



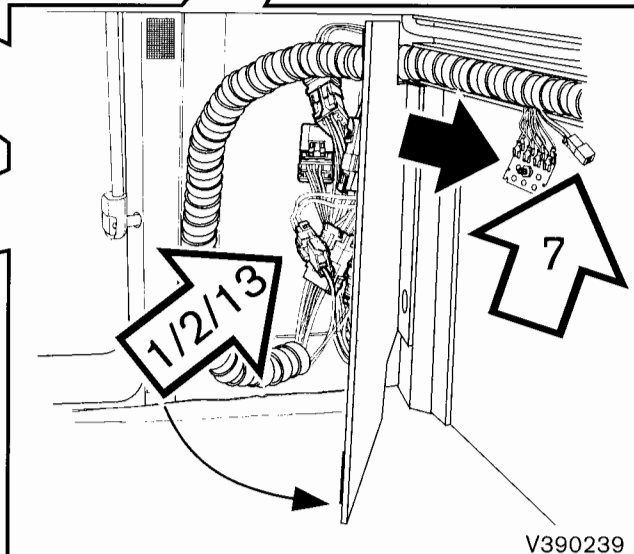
V850103



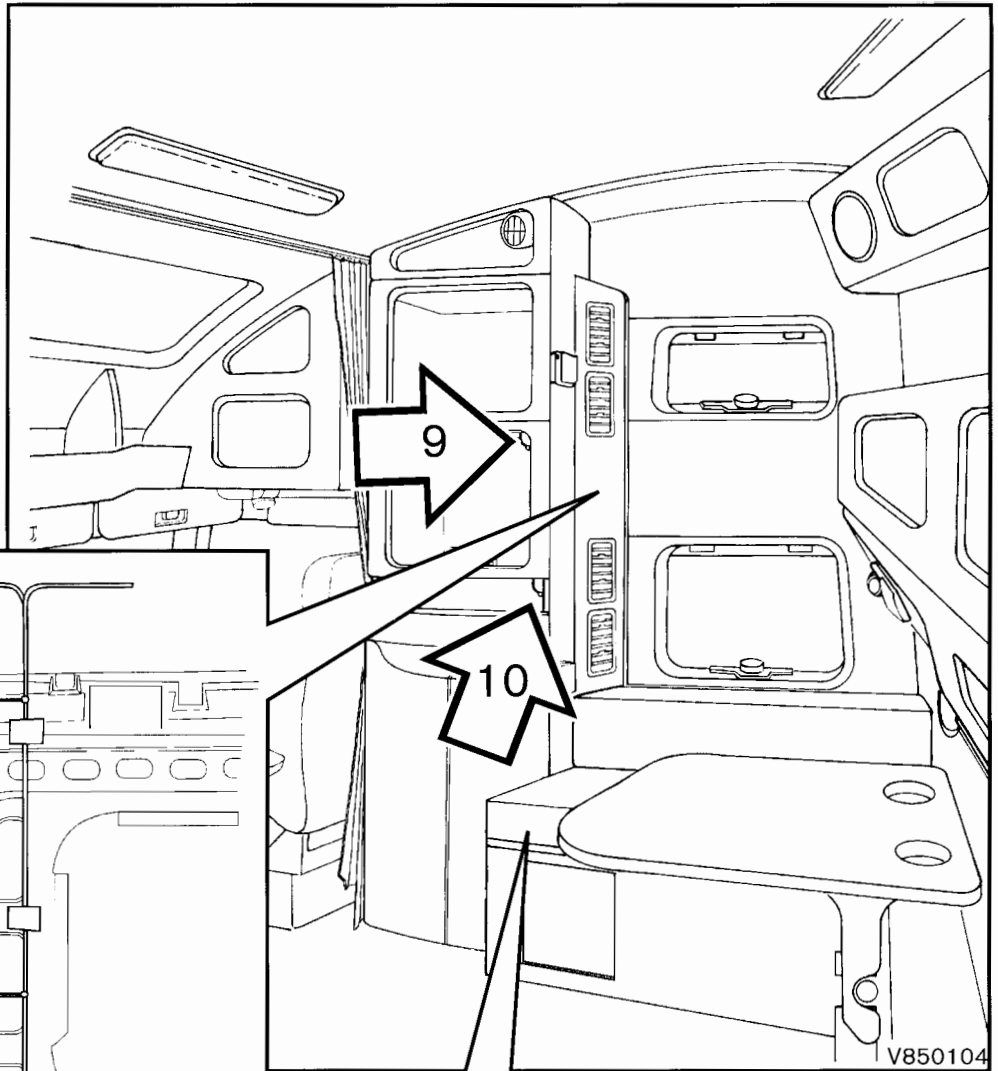
V390243



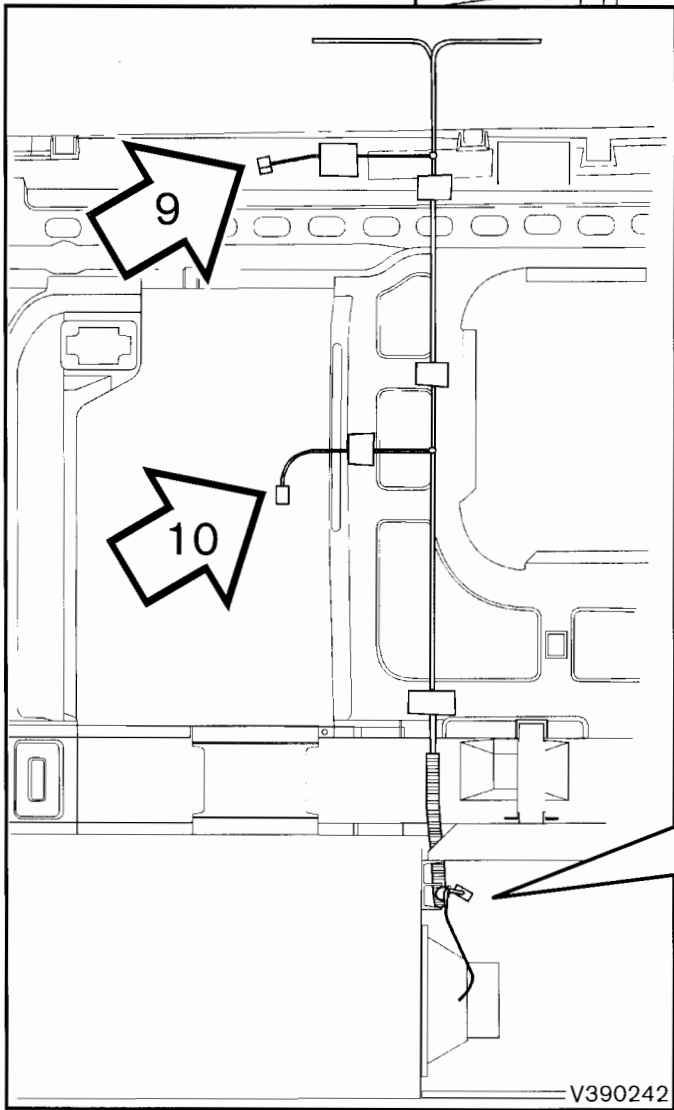
90478



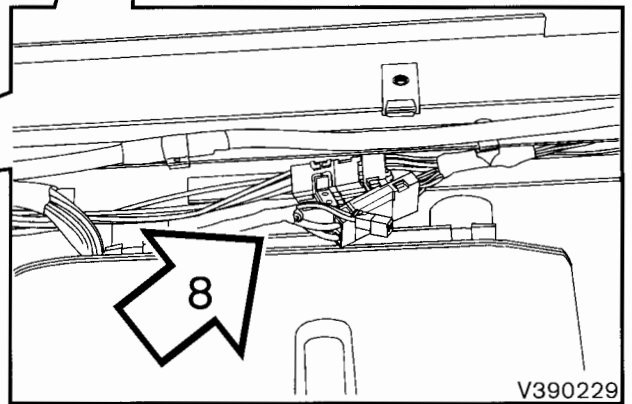
V390239



V850104



V390242



V390229